



# Liberty Furniture INDUSTRIES, INC

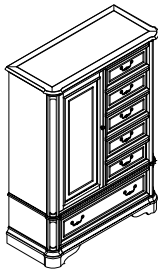
## ASSEMBLY INSTRUCTION

**Item: 244 - BR42MC**

**DESCRIPTION: MASTER CHEST**

Thank you for purchasing this quality product. Be sure to check all packing material carefully for small parts which may have come loose inside the carton during shipment. Identify and count all parts and compare with the parts List Below:

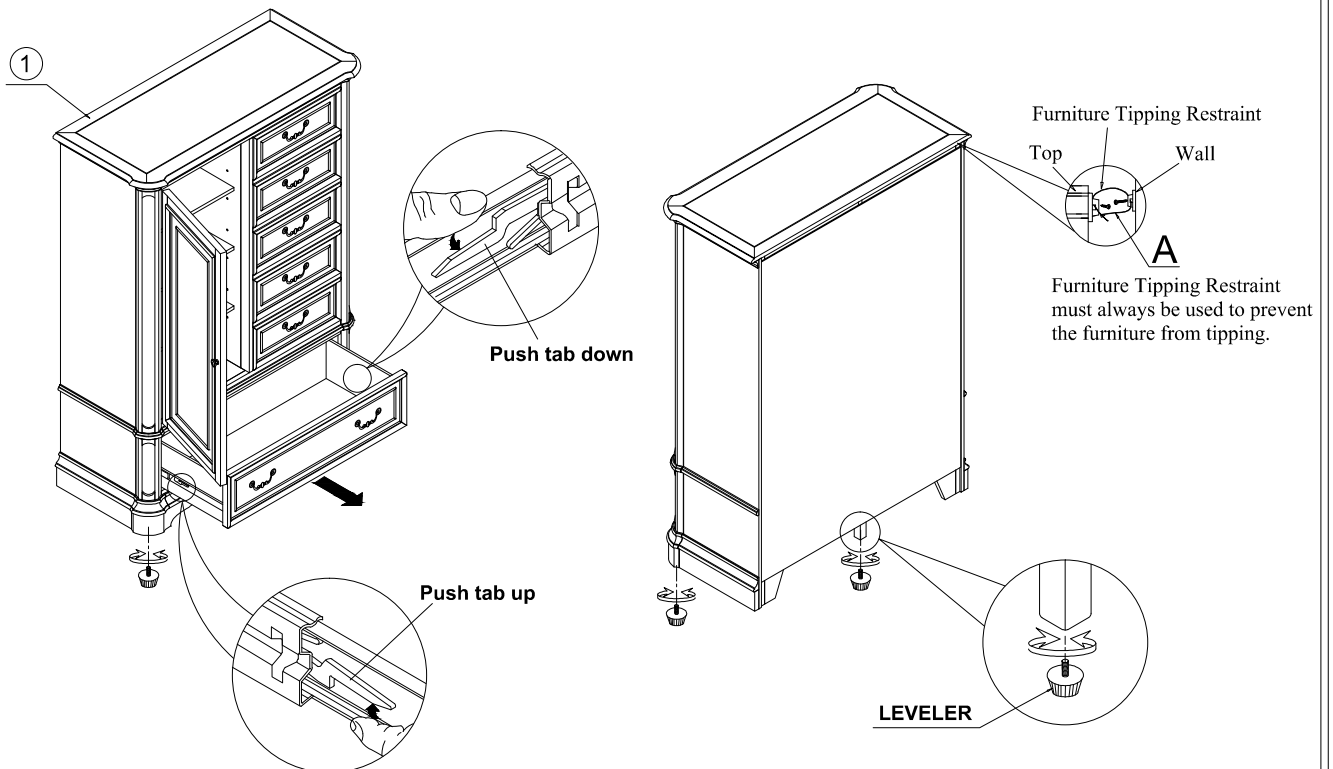
PART LIST:



①		②	
Master Chest: 1PC		HARDWARE LIST	
NO.	Drawing	Description	Q'ty
A		Furniture Tipping Restraint	1 Set

### HOW TO REMOVE DRAWER

To remove drawer, simultaneously pull tab up on one side and push down on the other and remove drawer.



### CLEANING INSTRUCTION

Clean the **Master Chest** surface with a furniture polish and a soft cloth.

Made in Viet Nam



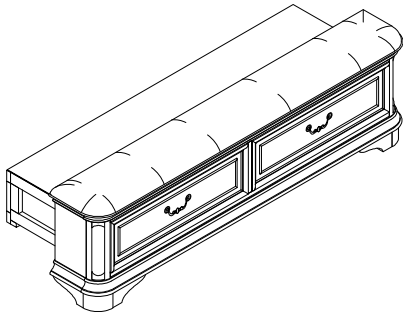
**Liberty Furniture**  
INDUSTRIES, INC

## ASSEMBLY INSTRUCTION

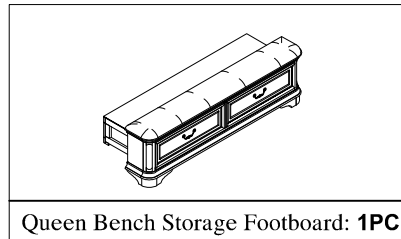
**Item:** 244 - BR14FS

**DESCRIPTION:** QUEEN BENCH STORAGE FOOTBOARD

Thank you for purchasing this quality product. Be sure to check all packing material carefully for small parts which may have come loose inside the carton during shipment. Identify and count all parts and compare with the parts List Below:

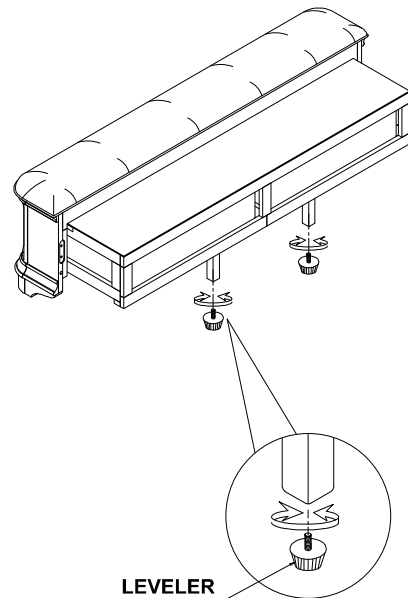
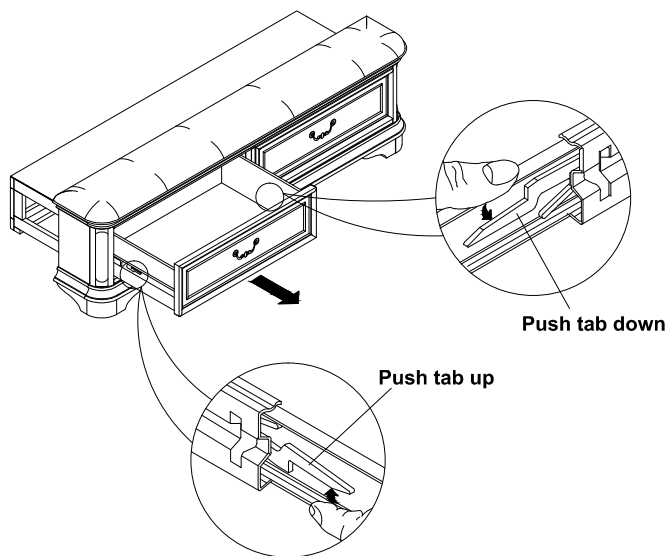


### PART LIST:



### HOW TO REMOVE DRAWER

To remove drawer, simultaneously pull tab up on one side and push down on the other and remove drawer.



### CLEANING INSTRUCTION

Clean the Queen Bench Storage Footboard surface with a furniture polish and a soft cloth.

Made in Viet Nam



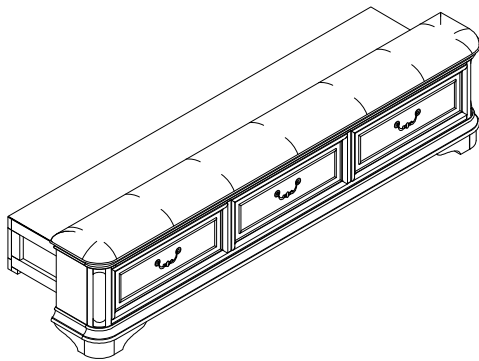
**Liberty Furniture**  
INDUSTRIES, INC

## ASSEMBLY INSTRUCTION

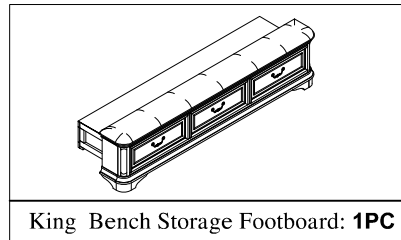
**Item:** 244 - BR16FS

**DESCRIPTION:** KING BENCH STORAGE FOOTBOARD

Thank you for purchasing this quality product. Be sure to check all packing material carefully for small parts which may have come loose inside the carton during shipment. Identify and count all parts and compare with the parts List Below:



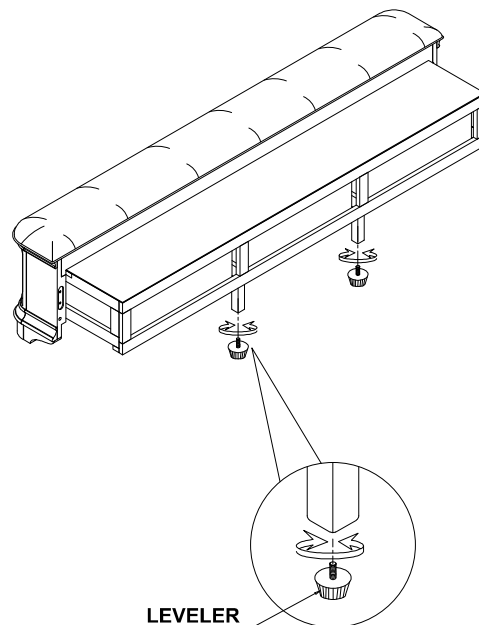
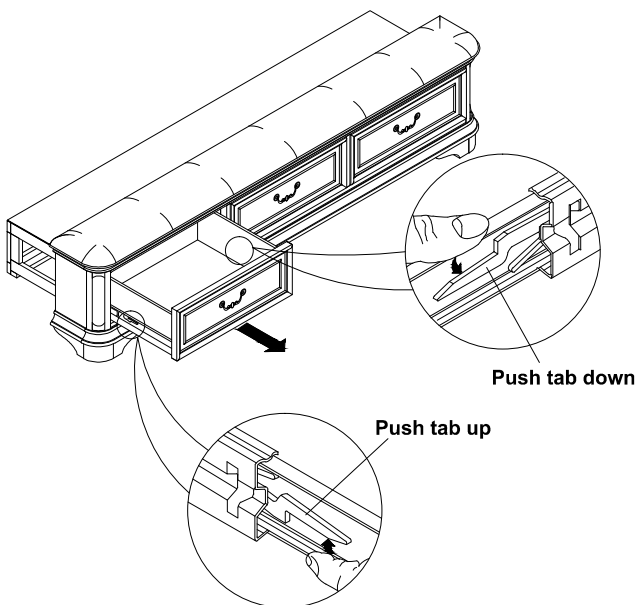
### PART LIST:



King Bench Storage Footboard: **1PC**

### HOW TO REMOVE DRAWER

To remove drawer, simultaneously pull tab up on one side and push down on the other and remove drawer.



### CLEANING INSTRUCTION

Clean the King Bench Storage Footboard surface with a furniture polish and a soft cloth.

Made in Viet Nam



# Liberty Furniture

INDUSTRIES, INC

## ASSEMBLY INSTRUCTION

**DESCRIPTION:** KING UPH PANEL HEADBOARD

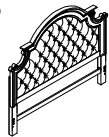
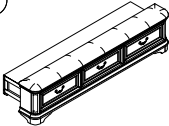
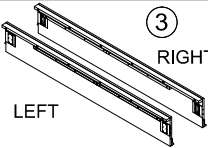
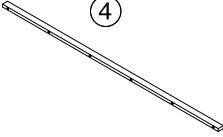
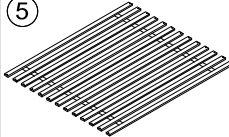
KING BENCH STORAGE FOOTBOARD

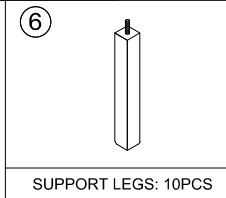
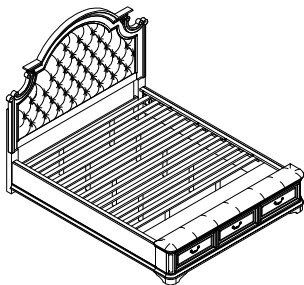
CALIFORNIA KING UPH SLEIGH BED RAILS











**Item:** 244 - BR15HU / BR16FS / BR90RSPC

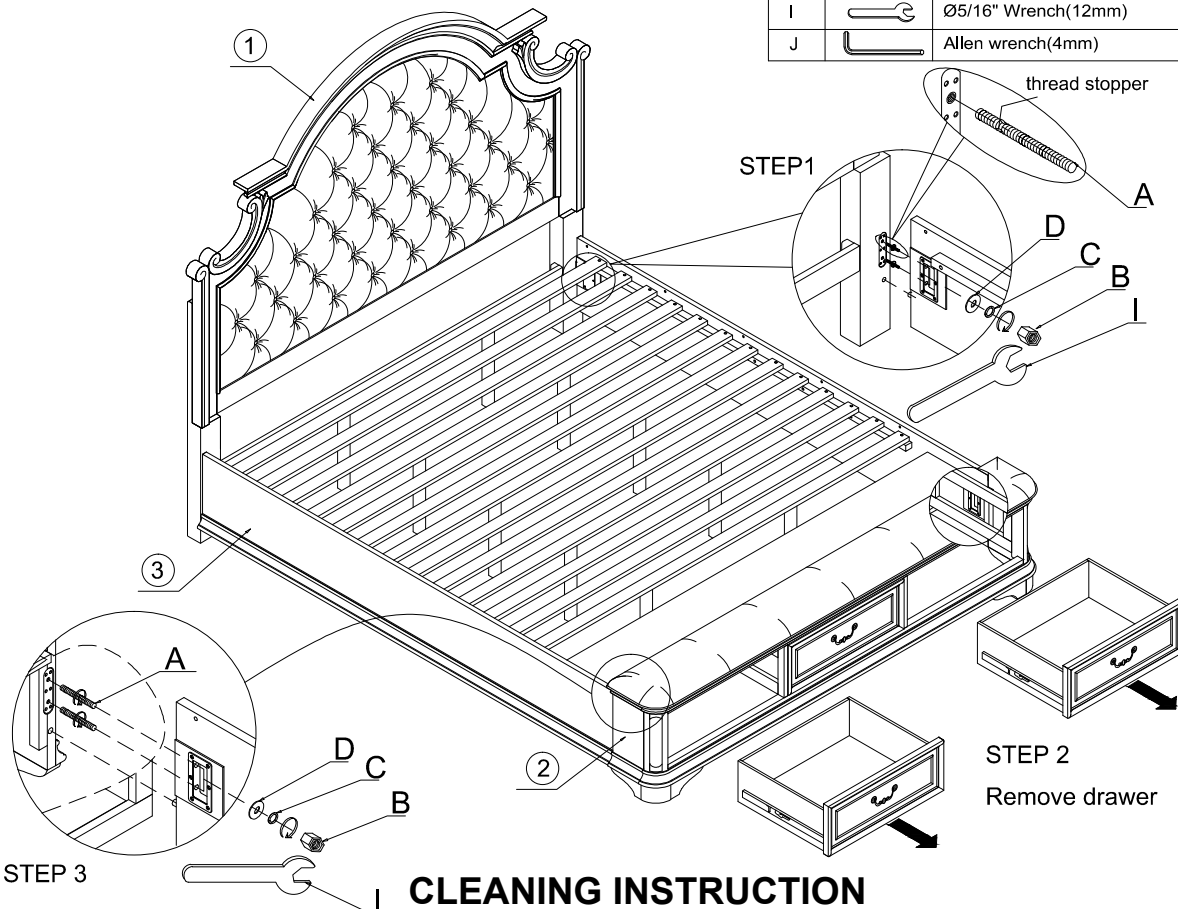
Thank you for purchasing this quality product. Be sure to check all packing material carefully for small parts which may have come loose inside the carton during shipment. Identify and count all parts and compare with the parts List Below:

**PART LIST:**

① 	② 	③  RIGHT LEFT	④ 	⑤ 
HEADBOARD: 1PCS	FOOTBOARD: 1PC	SIDE RAIL: 2PCS	KD CAL KING SIDE RAIL CAP: 2PCS	SLATS: 1PC



⑦ HARDWARE LIST			
NO.	Drawing	Description	Q'ty
A		Threaded Bolt Ø5/16" X2-3/4"	8pcs
B		Hex Nut (Ø5/16")	8pcs
C		Spring washer (Ø5/16")	8pcs
D		Flat washer (Ø5/16"x19mm)	8pcs
E		Wood screw Ø8 x 1"	26pc
F		Bolt Φ1/4"x 2-1/2"	12pcs
G		Spring washer (Ø1/4")	12pcs
H		Flat washer (Ø1/4"x16mm)	12pcs
I		Ø5/16" Wrench(12mm)	1pcs
J		Allen wrench(4mm)	1pcs



Clean the Bed surface with a furniture polish and a soft cloth.

Made in Viet Nam



**Liberty Furniture**  
INDUSTRIES, INC

# ASSEMBLY INSTRUCTION

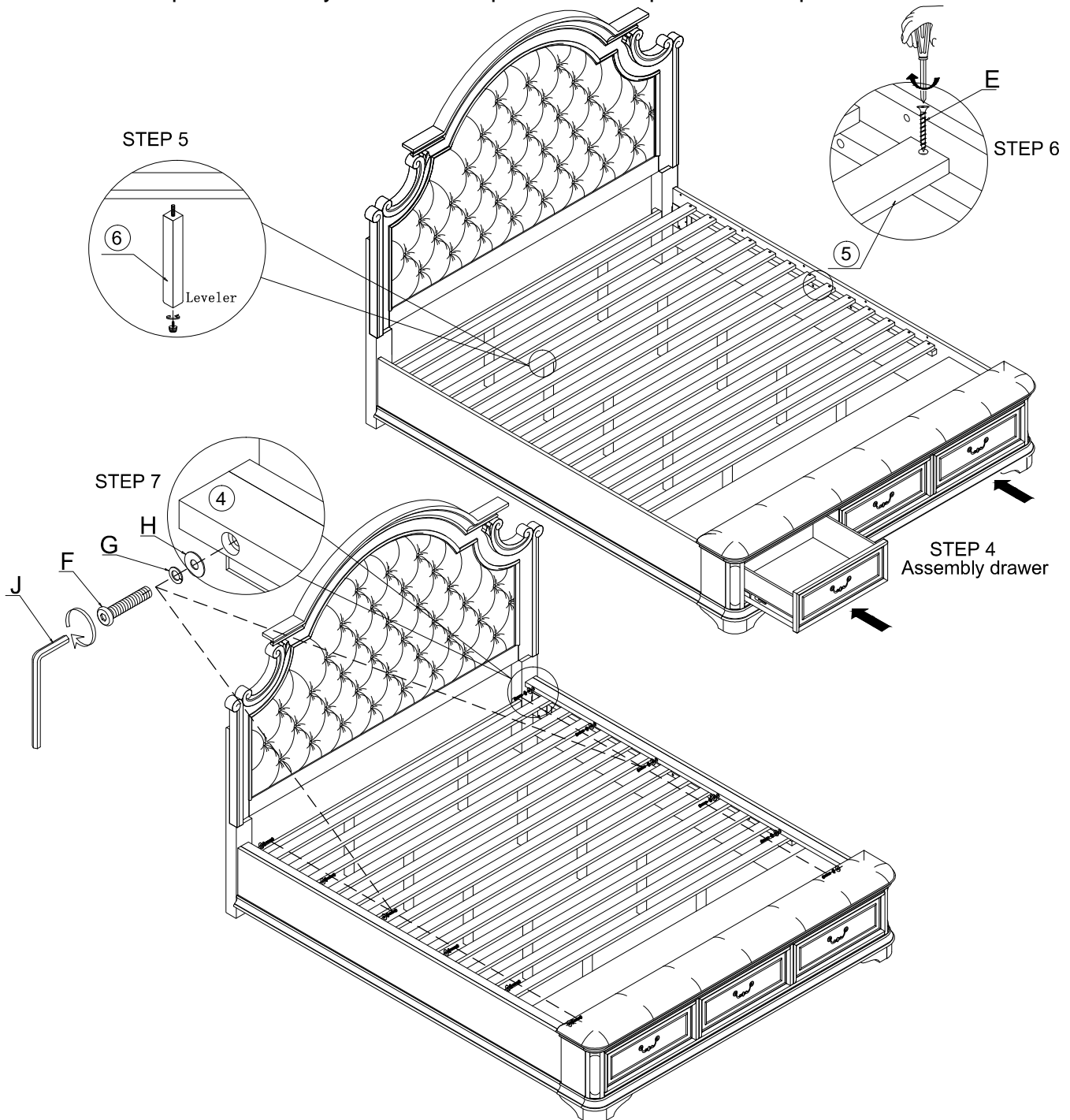
**DESCRIPTION:** KING UPH PANEL HEADBOARD

KING BENCH STORAGE FOOTBOARD

CALIFORNIA KING UPH SLEIGH BED RAILS

**Item:** 244 - BR15HU / BR16FS / BR90RSPC

Thank you for purchasing this quality product. Be sure to check all packing material carefully for small parts which may have come loose inside the carton during shipment. Identify and count all parts and compare with the parts List Below:



## CLEANING INSTRUCTION

Clean the Bed surface with a furniture polish and a soft cloth.



# Liberty Furniture

INDUSTRIES, INC

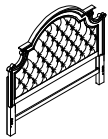
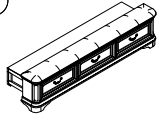
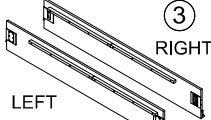


## ASSEMBLY INSTRUCTION

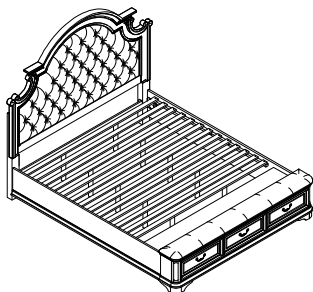
**DESCRIPTION:** KING UPH PANEL HEADBOARD  
KING BENCH STORAGE FOOTBOARD  
STORAGE BED RAILS

**Item:** 244 - BR15HU / BR16FS / BR90RSP

Thank you for purchasing this quality product. Be sure to check all packing material carefully for small parts which may have come loose inside the carton during shipment. Identify and count all parts and compare with the parts List Below:





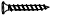

**PART LIST:**

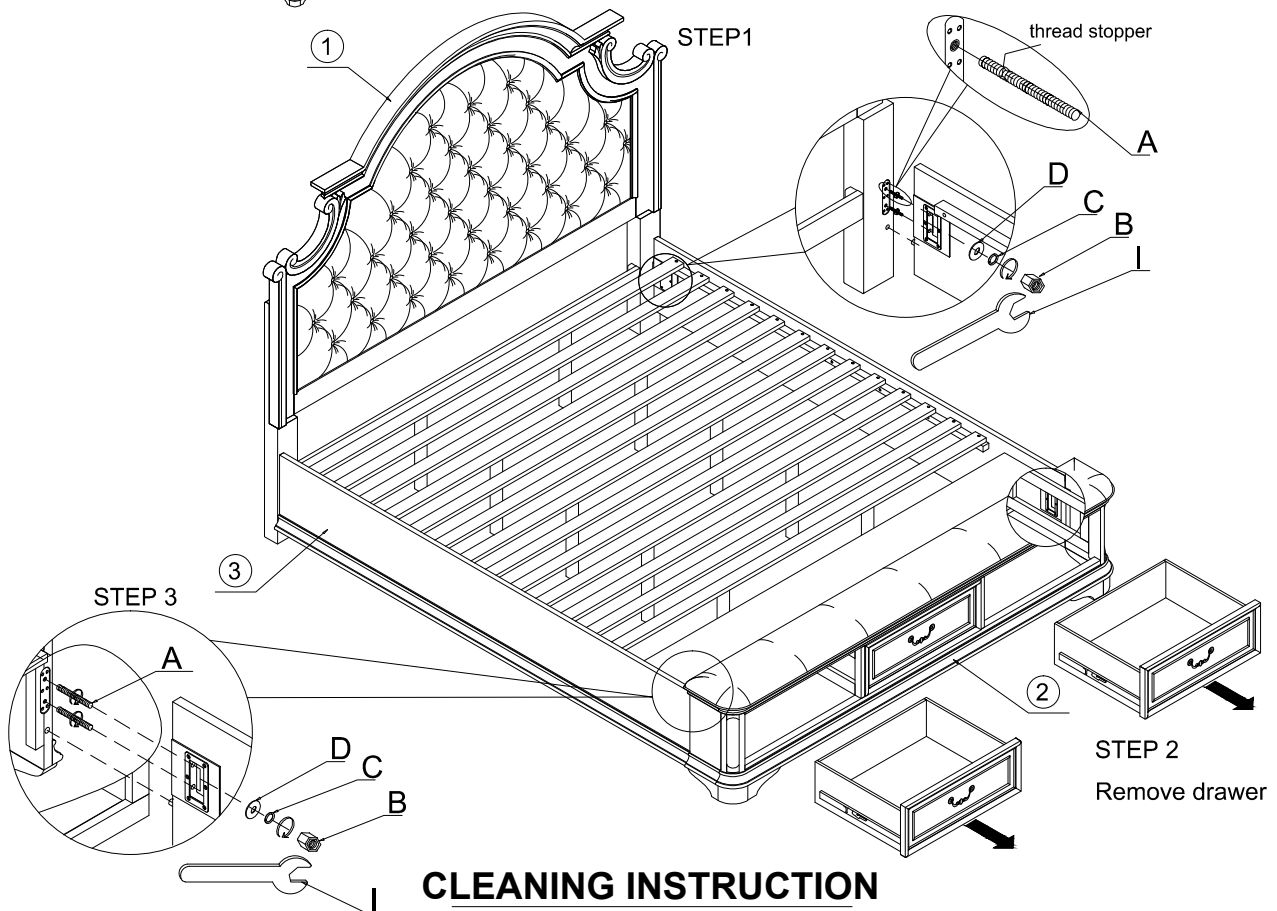
① 	② 	③ 	④ 	⑤ 
HEADBOARD: 1PCS	FOOTBOARD: 1PC	SIDE RAIL: 2PCS	SLATS: 1PC	SUPPORT LEGS: 10PCS



⑥

**HARDWARE LIST**

NO.	Drawing	Description	Q'ty
A		Threaded Bolt Ø5/16" X2-3/4"	8pcs
B		Hex Nut (Ø5/16")	8pcs
C		Spring washer (Ø5/16")	8pcs
D		Flat washer (Ø5/16"x19mm)	8pcs
E		Wood screw Ø8 x 1"	26pc
I		Ø5/16" Wrench(12mm)	1pcs



Clean the Bed surface with a furniture polish and a soft cloth.



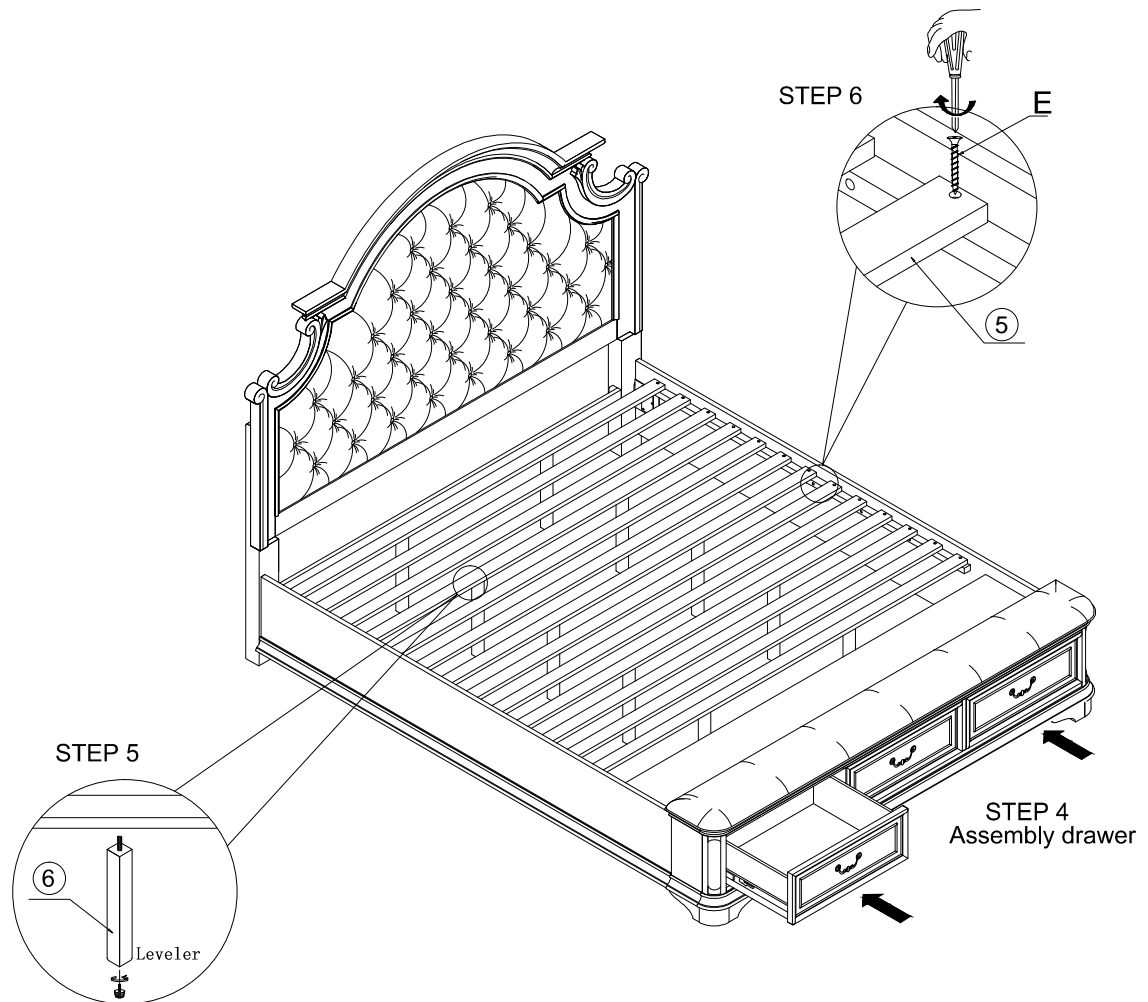
# Liberty Furniture INDUSTRIES, INC

## ASSEMBLY INSTRUCTION

**DESCRIPTION:** KING UPH PANEL HEADBOARD  
KING BENCH STORAGE FOOTBOARD  
STORAGE BED RAILS

**Item:** 244 - BR15HU / BR16FS / BR90RSP

Thank you for purchasing this quality product. Be sure to check all packing material carefully for small parts which may have come loose inside the carton during shipment. Identify and count all parts and compare with the parts List Below:



### CLEANING INSTRUCTION

Clean the Bed surface with a furniture polish and a soft cloth.



# Liberty Furniture ASSEMBLY INSTRUCTION


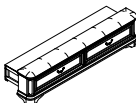
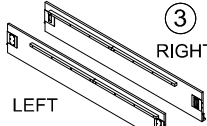
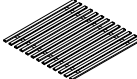

INDUSTRIES, INC

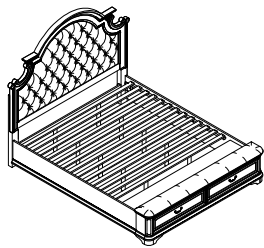
**DESCRIPTION:** QUEEN UPH PANEL HEADBOARD  
 QUEEN BENCH STORAGE FOOTBOARD  
 STORAGE BED RAILS

**Item:** 244 - BR13HU / BR14FS / BR90RSP

Thank you for purchasing this quality product. Be sure to check all packing material carefully for small parts which may have come loose inside the carton during shipment. Identify and count all parts and compare with the parts List Below:




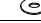
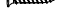

**PART LIST:**

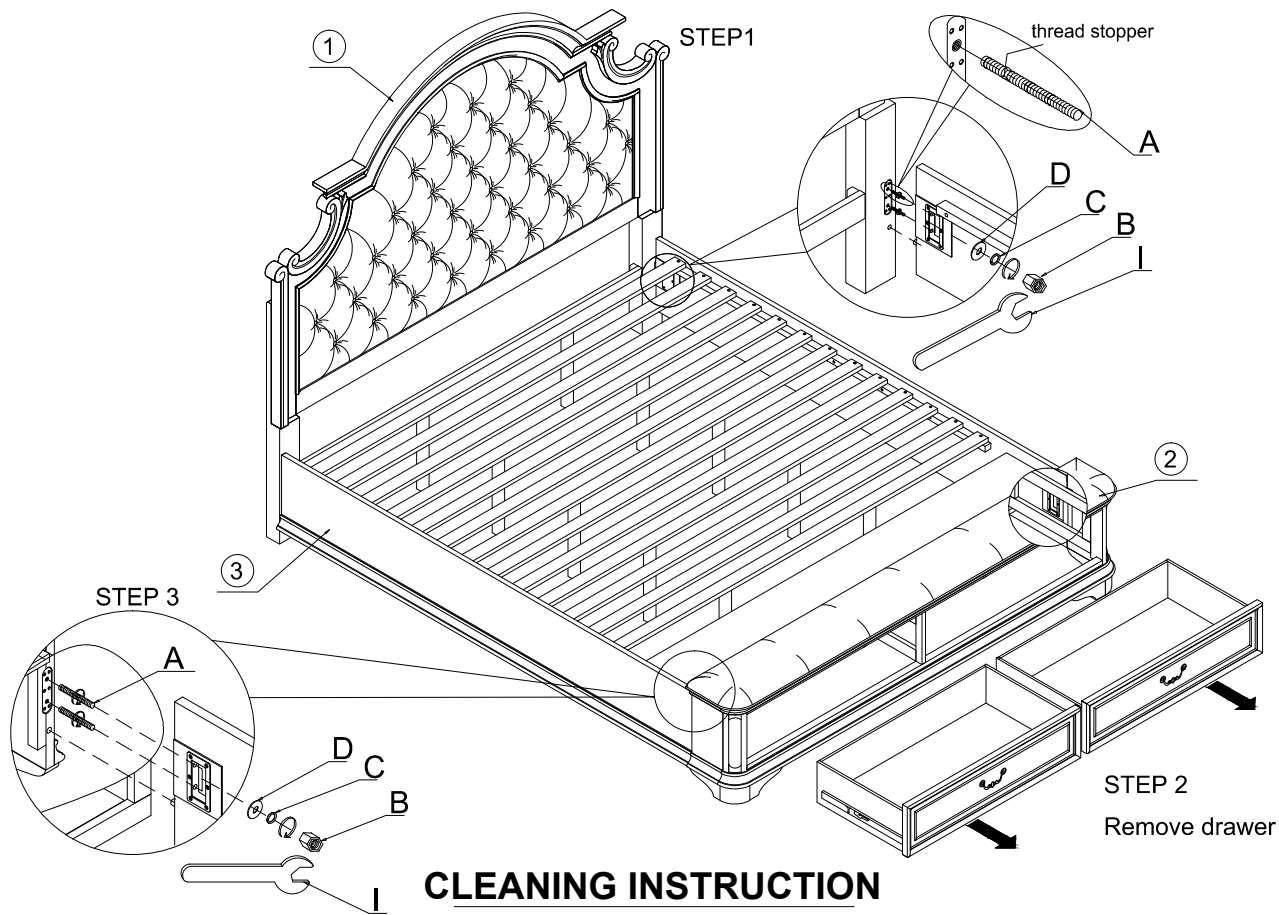
① 	② 	③ 	④ 	⑤ 
HEADBOARD: 1PCS	FOOTBOARD: 1PC	SIDE RAIL: 2PCS	SLATS: 1PC	SUPPORT LEGS: 10PCS



⑥

**HARDWARE LIST**

NO.	Drawing	Description	Q'ty
A		Threaded Bolt Ø5/16" X2-3/4"	8pcs
B		Hex Nut (Ø5/16")	8pcs
C		Spring washer (Ø5/16")	8pcs
D		Flat washer (Ø5/16"x19mm)	8pcs
E		Wood screw Ø8 x 1"	26pc
I		Ø5/16" Wrench(12mm)	1pcs



Clean the Bed surface with a furniture polish and a soft cloth.





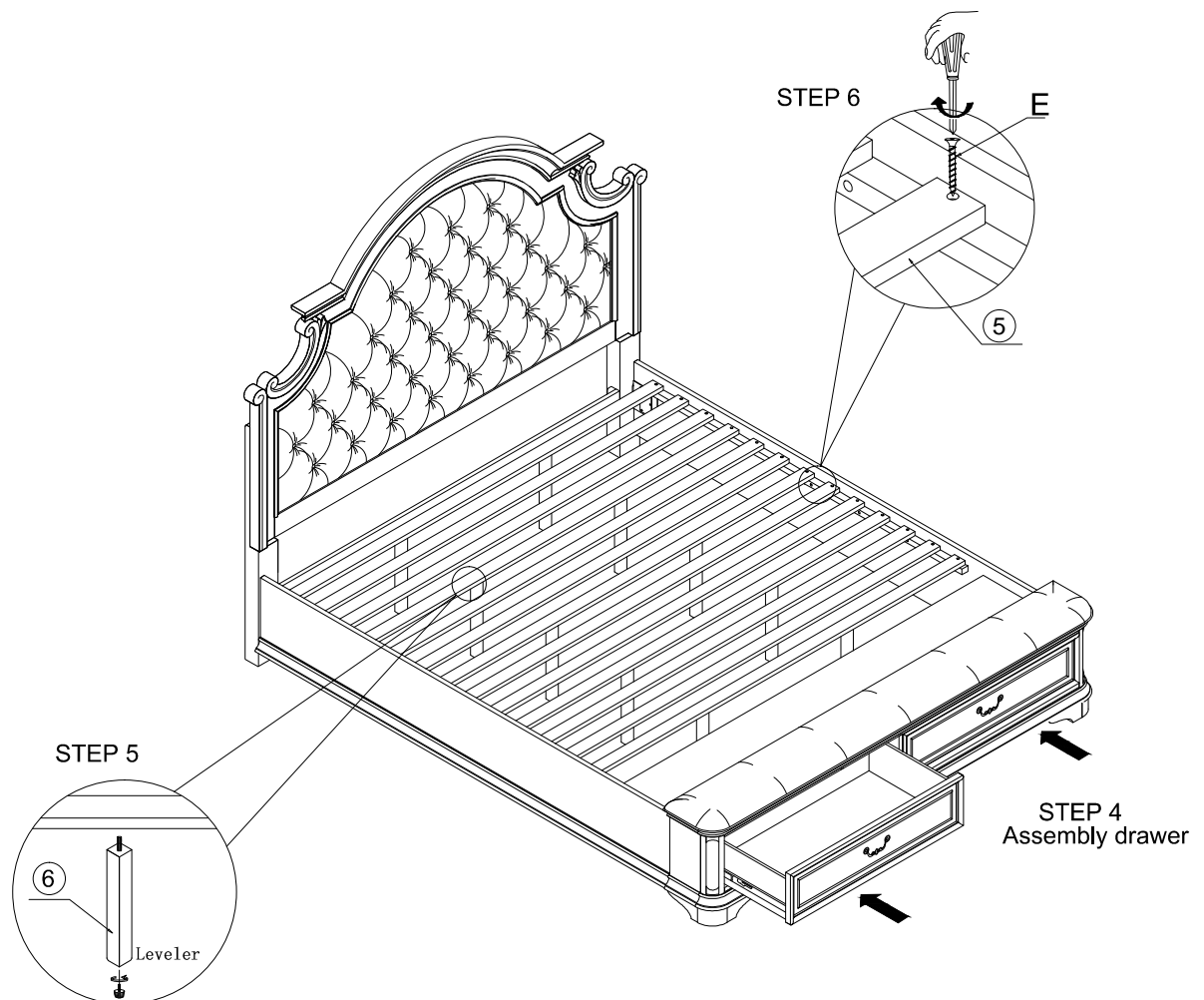
# Liberty Furniture INDUSTRIES, INC

## ASSEMBLY INSTRUCTION

**DESCRIPTION:** QUEEN UPH PANEL HEADBOARD  
QUEEN BENCH STORAGE FOOTBOARD  
STORAGE BED RAILS

**Item:** 244 - BR13HU / BR14FS / BR90RSP

Thank you for purchasing this quality product. Be sure to check all packing material carefully for small parts which may have come loose inside the carton during shipment. Identify and count all parts and compare with the parts List Below:



### CLEANING INSTRUCTION

Clean the Bed surface with a furniture polish and a soft cloth.



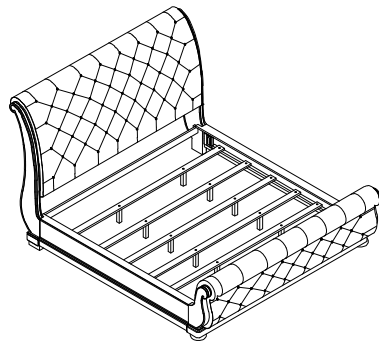
# Liberty Furniture ASSEMBLY INSTRUCTION

INDUSTRIES, INC

DESCRIPTION: KING SLEIGH BED HEADBOARD  
 KING SLEIGH BED FOOTBOARD  
 CALIFORNIA KING UPH SLEIGH BED RAILS

Item: **244 - BR22HU / BR22FU / BR92C**

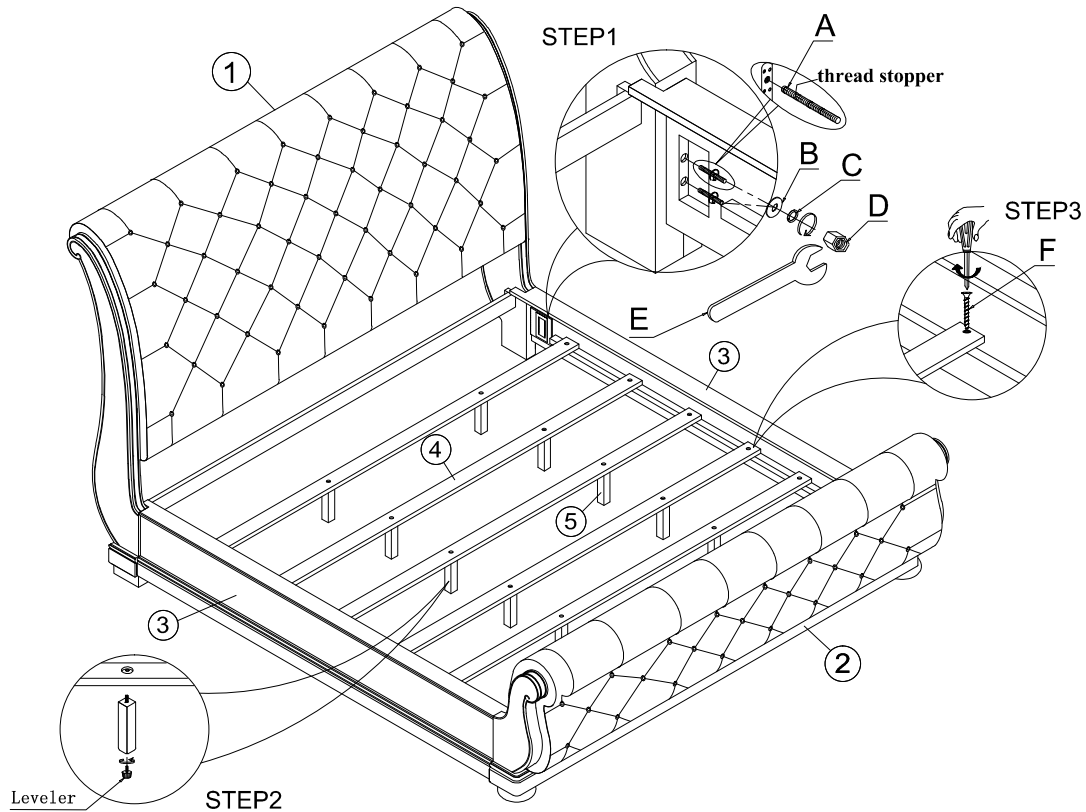
Thank you for purchasing this quality product. Be sure to check all packing material carefully for small parts which may have come loose inside the carton during shipment. Identify and count all parts and compare with the parts List Below:



HARDWARE LIST			
NO.	Drawing	Description	Q'ty
A		Threaded Bolt (Ø5/16"X3-1/2")	8pcs
B		Flat washer (Ø5/16"x19mm)	8pcs
C		Spring washer (Ø5/16")	8pcs
D		Hex Nut (Ø5/16")	8pcs
E		Ø5/16" Wrench(12mm)	1pc
F		Wood screw Ø8 x 1-1/4	10pcs

**PART LIST:**

HEADBOARD: 1PC	FOOTBOARD: 1PC	SIDE RAIL : 2PCS	KING BED SLATS: 5PCS	SUPPORT LEGS: 10PCS



## CLEANING INSTRUCTION

Clean the Bed surface with a furniture polish and a soft cloth.

Made in VietNam