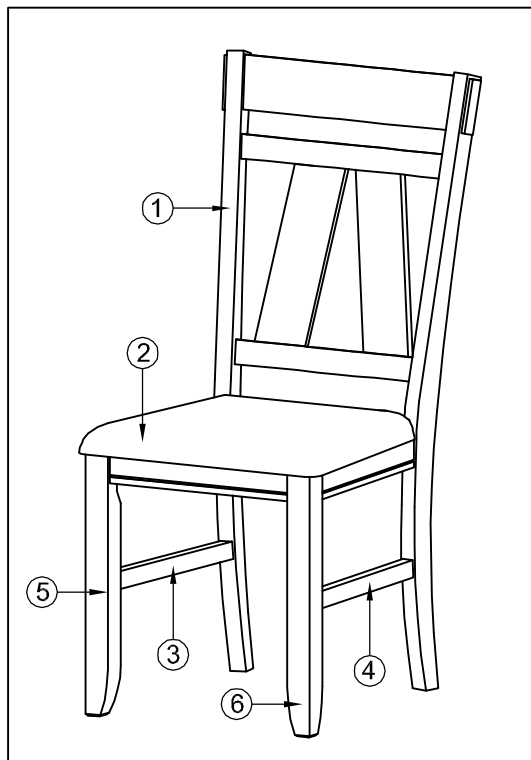








ITEM # 116-C2501S

DESCRIPTION SIDE CHAIR

Thank you for purchasing this quality product. Be sure to check all packing material carefully for small parts which may have some loose inside the carton during shipment. Identify and count all parts and compare with the parts List Below:



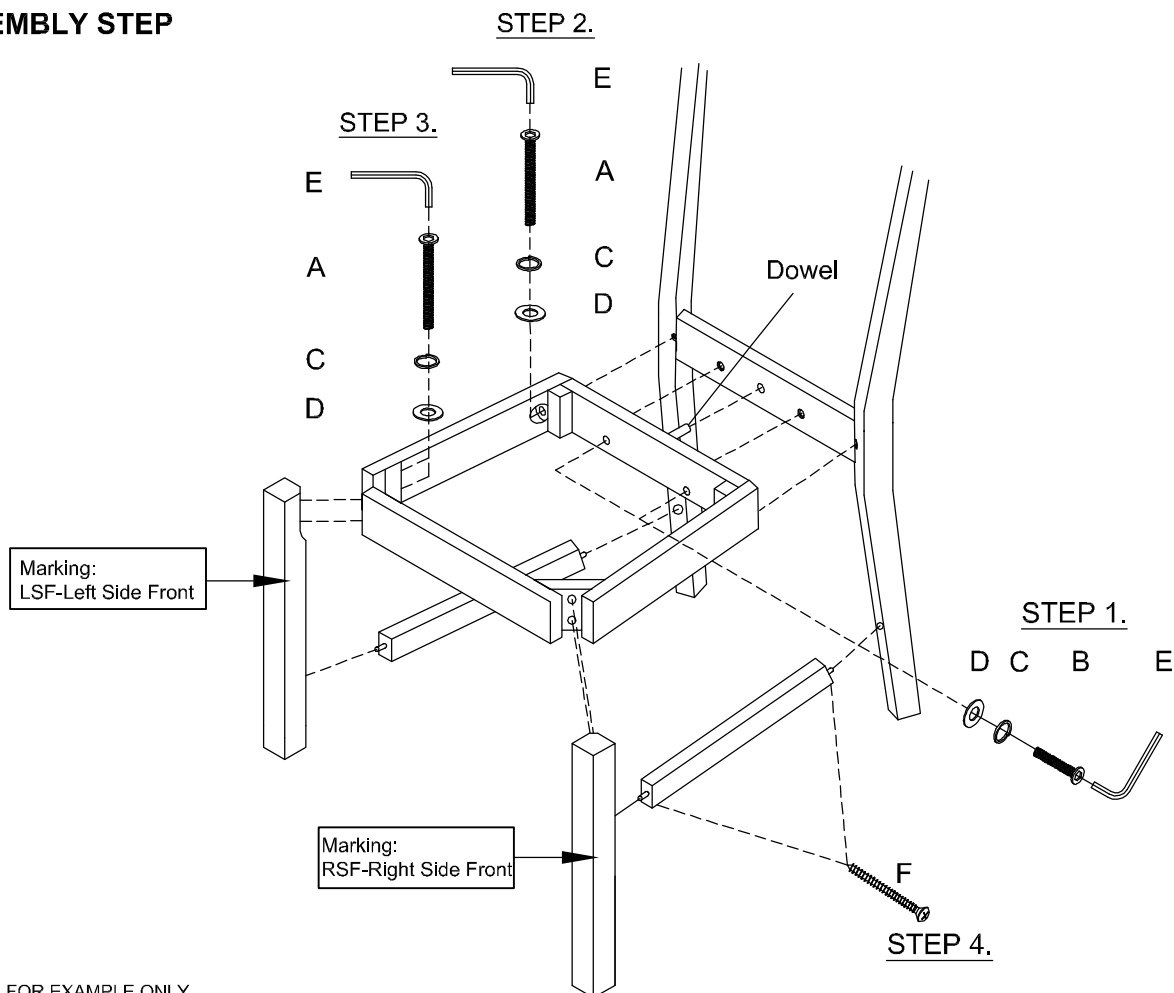
HARDWARE LIST

NO.	SKETCH	SIZE	Q'TY
A		1/4" X 63MM	6
B		1/4" X 40MM	2
C		1/4" X 12MM	8
D		1/4" X 16MM	8
E		4MM	1
F		8# X 1 1/4	4

PART LIST

NO.	DESCRIPTION	Q'TY
①	Chair Back	1
②	Seat Cushion With Frame	1
③	Left Side Stretcher	1
④	Right Side Stretcher	1
⑤	Left Front Leg	1
⑥	Right Front Leg	1

ASSEMBLY STEP



SKETCH FOR EXAMPLE ONLY

NOTE: TO ENSURE CHAIR DURABLE AND LONG LASTING, PLEASE CHECK ENTIRE CHAIR PART WHETHER IT'S IN SAFE AND ORDINARY CONDITIONS.