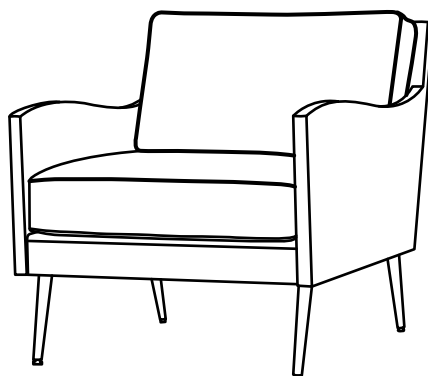




furnishing better lives together

# ASSEMBLY INSTRUCTIONS PARTS IDENTIFICATIONS KARMA-CH-SLATE



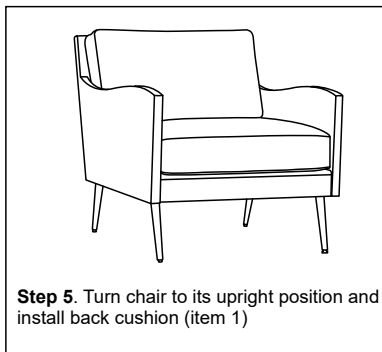
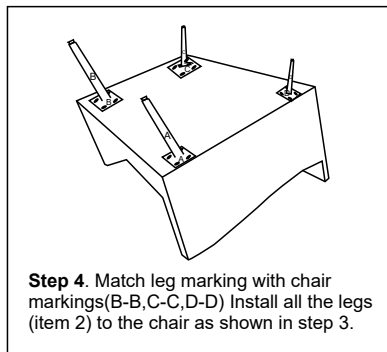
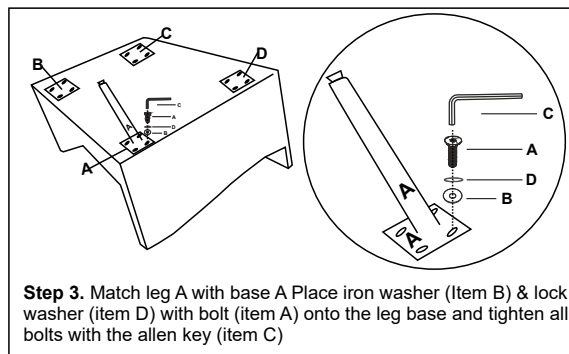
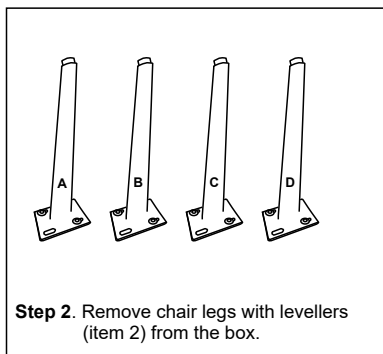
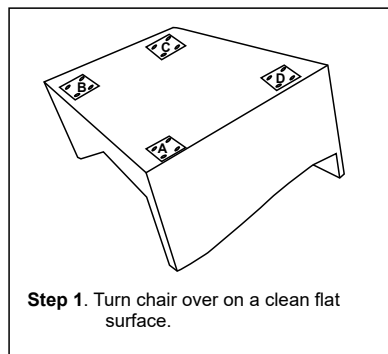
## PARTS LIST

Item	Code	Description	Picture	Qty
1.	KARMA P41 SLATE	Back Cushion		1 PC
2.	KARMA P42	Legs with levellers		4 PC

## Hardware Kit Karma P46

Item	Description	Qty
A	Bolt M6x20	16 PC
B	Washer M8x17	16 PC
C	Allen Key K4	1PC
D	Lock Washer M6	16 PC

## Assembly Steps



## CARE INSTRUCTIONS (Cleaning Code X)

Clean only by vacuuming or light brushing to remove overall soil. Never use water, foam or liquid cleaning agents.