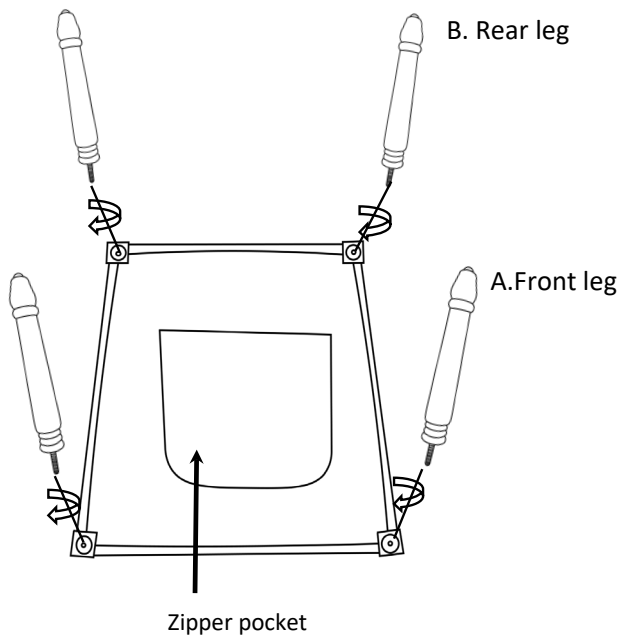
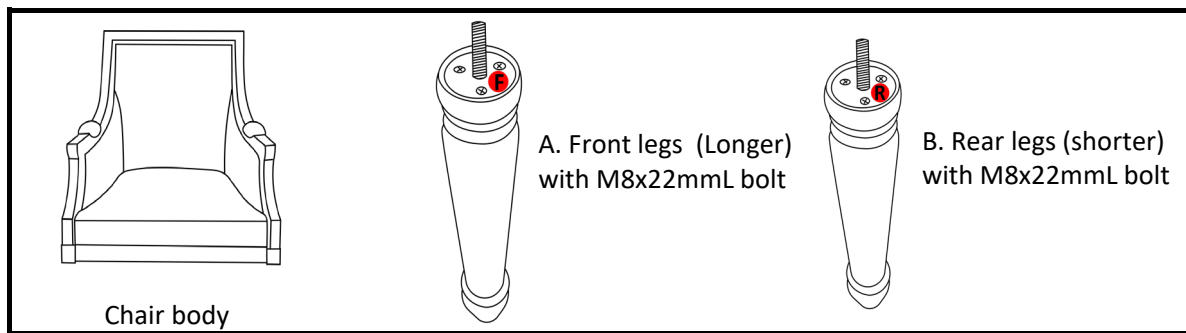
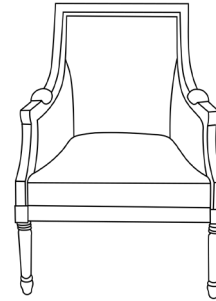


Parts List			
Item	Code	Description	Qty
A	MCKENNABLUEKDP42	Front legs	2pcs
B	MCKENNABLUEKDP42F	Rear legs	2pcs



Assembly Steps:

- Step 1. Turn chair body over on a clean flat surface.
- Step 2. Remove legs from zippered pocket underneath chair.
- Step 3. Screw in front legs (item A) until they are hand tight.
- Step 4. Screw in rear legs (item B) until they are hand tight and in an outward position.
- Step 5. Turn chair to its upright position.

FABRIC CONTENT

***Fabric: 85% polyester 15% linen

***Cleaning Code: S

Professional cleaning recommended. Spot clean with a mild water-free solvent or dry cleaning product. Vacuum surface occasionally with an upholstery attachment. Avoid direct sunlight, water, oil, acid, sharp object etc. Do not clean with water or any

Made in China