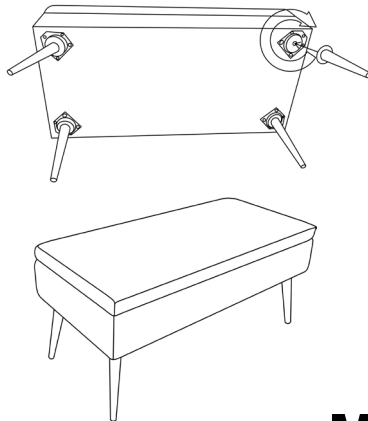
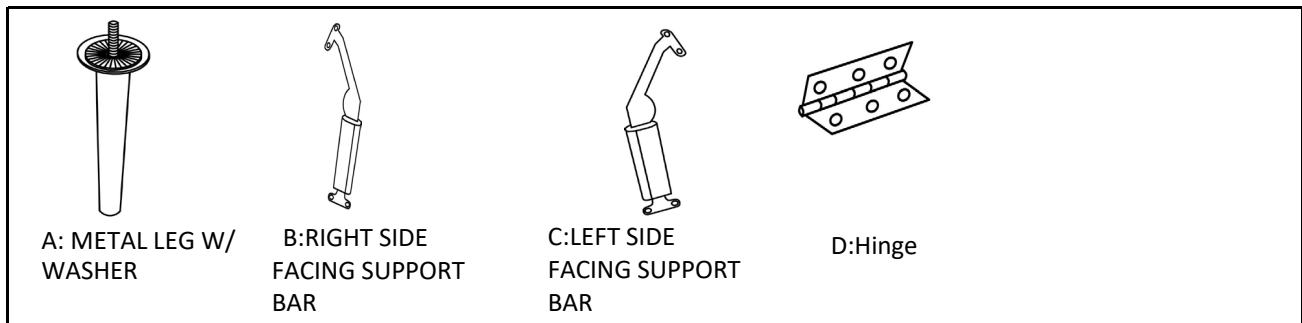
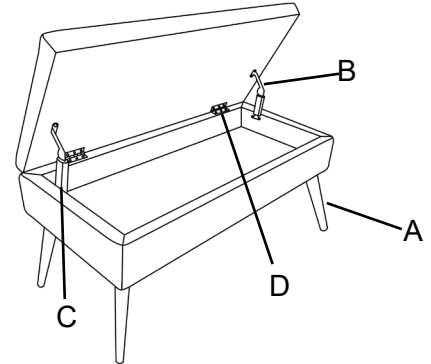


PARTS LIST

Item	Code	Description	Qty
A	HUGGYBNP42	METAL LEG	4PCS
B	HUGGY-BNP54R	RIGHT SIDE FACING SUPPORT BAR	1PC
C	HUGGY-BNP54L	LEFT SIDE FACING SUPPORT BAR	1PC
D	HUGGY-BNP07H	HINGE	2 PCS



Assembly Steps:

- Step 1. REMOVE LEGS FROM STORAGE SPACE
Step 2. INSTALL THE LEGS TO THE STORAGE BENCH

FABRIC CARE INSTRUCTIONS REGULAR CARE

Clean only with a water-based shampoo or foam upholstery cleaner.
Do not over wet. Do not use solvents to spot clean.
Pile fabrics may require brushing to restore appearance.

**FABRIC CONTENT 100% POLYESTER -
CLEANING CODE "W"**

MADE IN CHINA