





Parts List

ITEM	Code	Description	Qty
A	HARPERP41CLOUD	Cushion complete	1 PC
F	HARPERP57	Swivel Mechanism	1 PC
Hardware Kit (HARPERSWP46)			
B		Bolt Ø1/4"x25mm	4 PCS
C		Spring Washer Ø1/4"	4 PCS
D		Flat Washer Ø1/4"	4 PCS
E		Allen Key	1 PC



A. Chair with Reversible
Seat cushion



B. Bolt
Ø1/4" *25mm



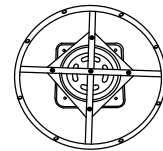
C. Spring Washer
Ø1/4"



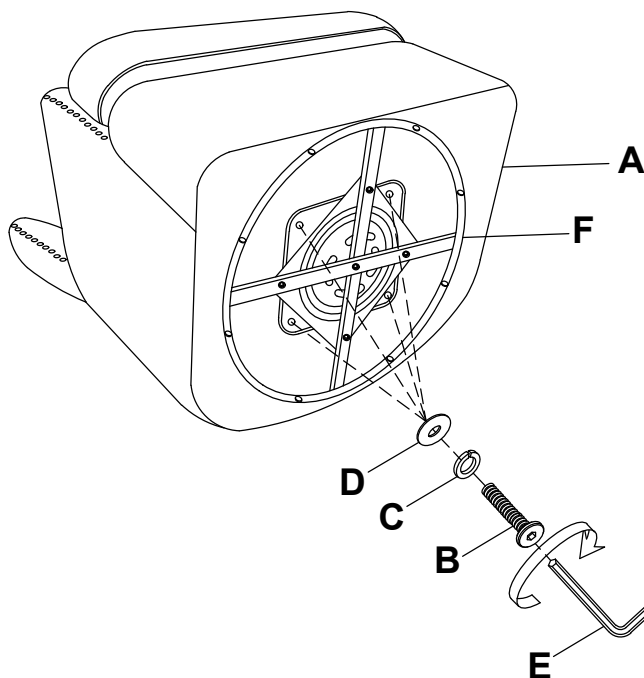
D. Flat Washer
Ø1/4" *16mm



E. Allen Key
M4*60mm



F. Swivel Mechanism



Assembly Steps:

- Step 1. Turn Chair (A) over on a clean flat surface.
- Step 2. Remove hardware bag at the Swivel Mechanism (F) of the chair.
- Step 3. Turn Swivel Mechanism (F) over on a clean flat surface.
- Step 4. Attach Swivel Mechanism (F) to Chair (A) by using Bolt (B) and Spring Washer (C) and Flat Washer (D) and tightening with Allen Key (E).
- Step 5. Turn chair to its upright position.

Please note:

1. This chair can be 360° swivel.

FABRIC CARE INSTRUCTIONS

REGULAR CARE

Clean only with dry cleaning solvent. Do not saturate. Do not use water.

Pile fabrics may require brushing to restore appearance. Cushion covers should not be removed and dry cleaned.

FABRIC CONTENT: 100%Polyester

CLEANING CODE:S

MADE IN VIETNAM