







furnishing better
lives together
WWW.JOFRAN.COM

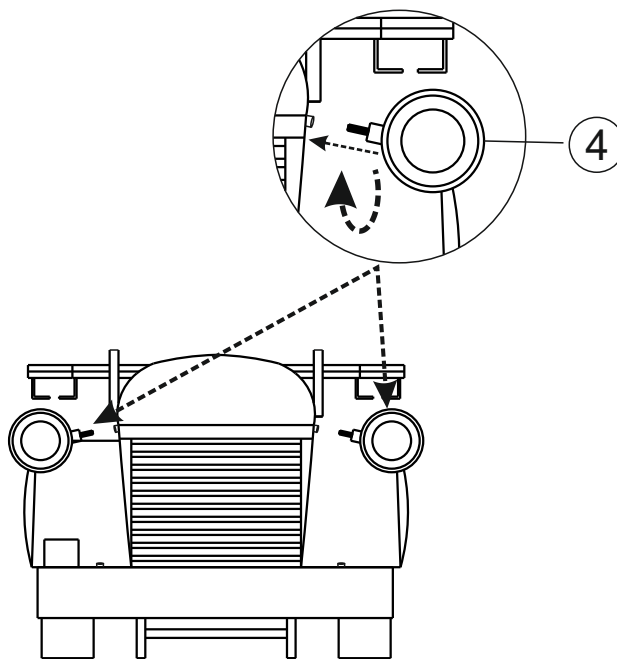
ASSEMBLY INSTRUCTION & PARTS IDENTIFICATION MODEL # 2323-WOODY WOODY VINTAGE BAR

Thank you for purchasing this quality product. Be sure to check all packing material carefully for small parts that may have come loose inside the carton during shipment.

BAR COMPONENTS			
No	Code	Qty	Description
1	2323-WOODYP54	1 Pcs	Wood Table Top
2	2323-WOODYP51	1 Pcs	Wood Removable Table Top
3	2323-WOODYP01L	4 Pcs	Leveler M6 x 25 mm 
4	2323-WOODYP17T	2 Pcs	Top Headlight 
5	2323-WOODYP17B	2 Pcs	Bottom Headlight 
6	2323-WOODYP01	2 Pcs	Locking Bolt 

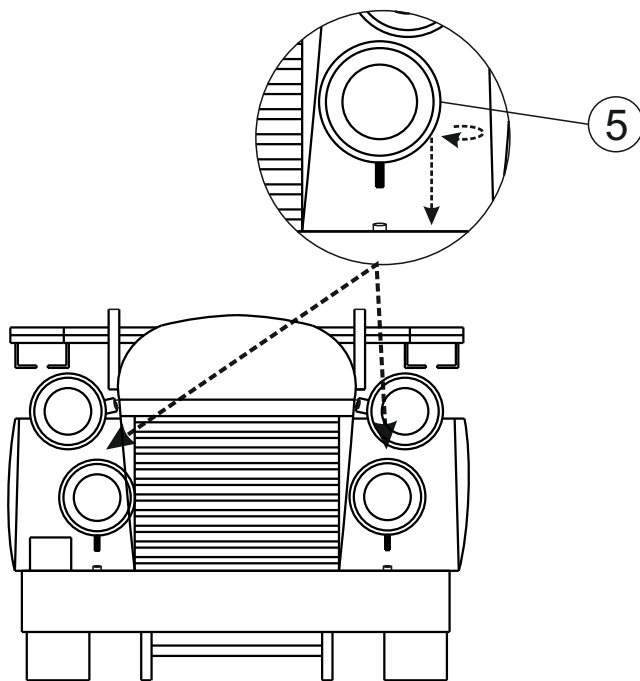
STEP 1

Attach the top headlight as shown in image and rotate the headlight clockwise to tighten.



STEP 2

Attach the bottom headlight as shown in image and rotate the headlight clockwise to tighten.



STEP 3

Attach the removable table top to the frame and secure with the locking bolt (6). Adjust floor levelers as needed to level the bar.

