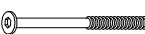






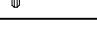



Thank you for purchasing this quality product. Be sure to check all packing material carefully for small parts that may have come loose inside the carton during shipment.

Hardware kit (1966-78TP01)			
No	Description	Q'Ty	
A	 Long Bolt 5/16" x 180mm	8 pcs	
B	 Short Bolt 5/16" x 35mm	24 pcs	
C	 Lock washer	36 pcs	
D	 Flat washer	36 pcs	
E	 Hexa Nut 5/16"	4 pc	
F	 Screw Knob	4 pcs	
G	 Knob	4 pcs	
H	 Wrench key	1 pc	
I	 Allen Key Ø4	1 pc	

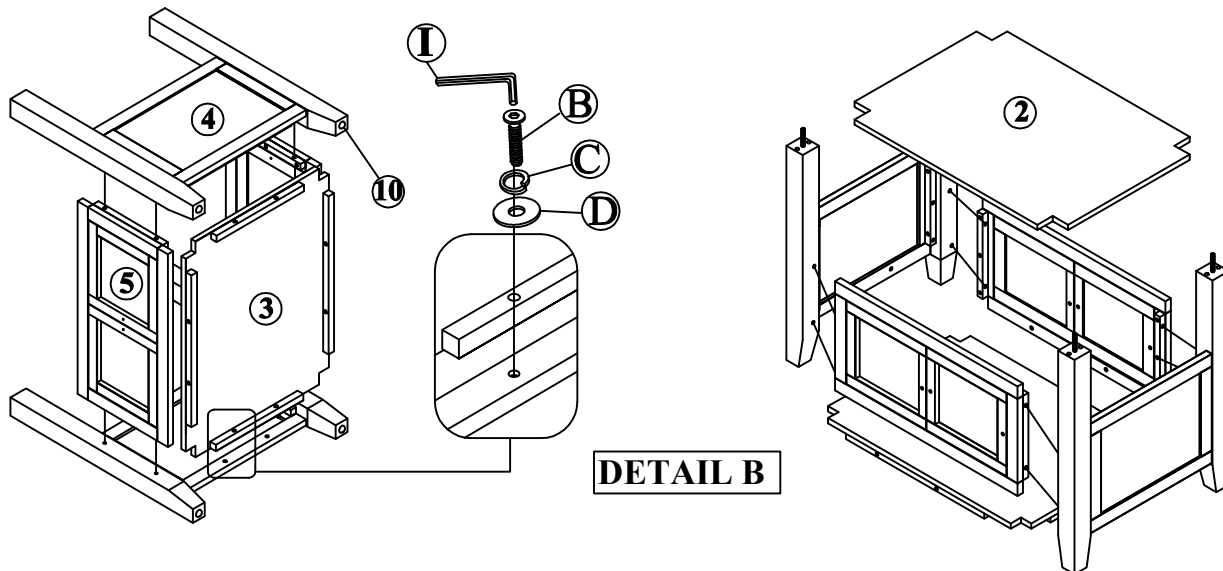
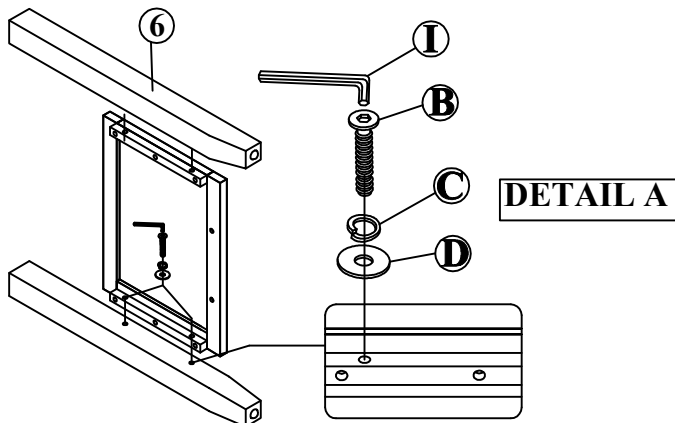
Parts Key			
No	Code	Description	Q'Ty
1	1966-78TP24	Table Top	1 Pc
2	1966-78BP08T	Storage Box Top Panel	1 Pc
3	1966-78BP08B	Storage Box Bottom Panel	1 Pc
4	1966-78BP08S	Storage Box Side Panel	2 Pcs
5	1966-78BP07F	Two Door w/ Frame	2 Pcs
6	1966-78P02	Legs	4 Pcs
7	1966-78BP01D	Door Catch Assembly	4 Sets
8	1966-78BP07H	Door Hinge	8 Pcs
9	1966-78BP04	Knob w/Screw	4 Pcs
10	1966-78BP01F	Floor Glide	4 Pcs
12	1966-78TP13	Extension Mechanism	1 Sets
13	1966-78TP29	Mounting Plate	2 Pcs
14	1966-78TP13L	Extension Lock	4 Sets
15	1966-78TP02E	Leg Extension	4 Pcs

### STEP 1

- Carefully place the Leg on the smooth surface.
- Position the Side Panel into designated location of the Leg as shown. Insert the Bolts (B), with Lock Washers (C) & Flat Washer (D), through pre-drilled holes in wood cleat of Side Panel. Tighten securely with the Allen Key (I). (See Detail A).
- Do the same with other Legs and Side Panel.

### STEP 2

- Turn the Side frame (assembled in step 1) upright, position the Door frame onto designated location of the Side frame as shown. Insert the Bolts (B) with Lock Washers (C) & Flat Washer (D) through pre-drilled holes in wood cleat of Door Frames and attach to the assembled Side Frame from Step 1
- Attach the bottom panel to the underside of the base by inserting Bolts (B) with Lock Washers (C) and Flat Washers (D) through the predrilled holes in the bottom panel and attach to the cleats on the inside of the side panel.
- Carefully turn the Storage Box to the upright position, insert the Top Panel (2) Between the legs (See Detail B).



Thank you for purchasing this quality product. Be sure to check all packing material carefully for small parts that may have come loose inside the carton during shipment.

Hardware kit (1966-78TP01)			
No	Description	Q'Ty	
A	Long Bolt 5/16" x 180mm	8 pcs	
B	Short Bolt 5/16" x 35mm	24 pcs	
C	Lock washer	36 pcs	
D	Flat washer	36 pcs	
E	Hexa Nut 5/16"	4 pc	
F	Screw Knob	4 pcs	
G	Knob	4 pcs	
H	Wrench key	1 pc	
I	Allen Key Ø4	1 pc	

Parts Key			
No	Code	Description	Q'Ty
1	1966-78TP24	Table Top	1 Pc
2	1966-78BP08T	Storage Box Top Panel	1 Pc
3	1966-78BP08B	Storage Box Bottom Panel	1 Pc
4	1966-78BP08S	Storage Box Side Panel	2 Pcs
5	1966-78BP07F	Two Door w/ Frame	2 Pcs
6	1966-78P02	Legs	4 Pcs
7	1966-78BP01D	Door Catch Assembly	4 Sets
8	1966-78BP07H	Door Hinge	8 Pcs
9	1966-78BP04	Knob w/Screw	4 Pcs
10	1966-78BP01F	Floor Glide	4 Pcs
12	1966-78TP13	Extension Mechanism	1 Sets
13	1966-78TP29	Mounting Plate	2 Pcs
14	1966-78TP13L	Extension Lock	4 Sets
15	1966-78TP02E	Leg Extension	4 Pcs

### STEP 3 FOR COUNTER HEIGHT TABLE ONLY

- Insert Long bolt (A) with Flat washer (D), Lock washer (C) through the leg extension and tighten securely with the Allen key (I). (See Detail C).

### STEP 4

- Position the Table top onto the legs of the Storage Box.  
- Insert the Hex nut (E) with Lock Washers (C) & Flat Washer (D) into the fixed bolts of the leg. Tighten securely with Wrench (H).  
- Affix Knob (G) to the Doors, tightening the screw with a phillips-head screwdriver (not provided). (See Detail D)

