

5-Pack Hardware Kit (923PO1)

Table Hardware

Ltr	Qty	Description
A	8 pcs	Flat Washer
B	8 pcs	Lock Washer
C	8 pcs	Nut Øm6
D	1 pc	Key Wrench

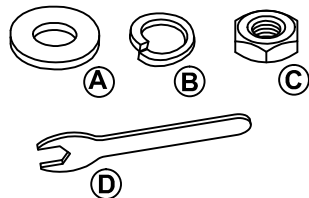
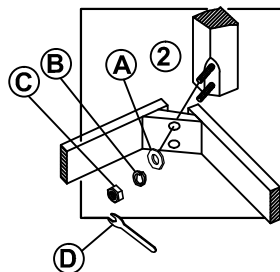
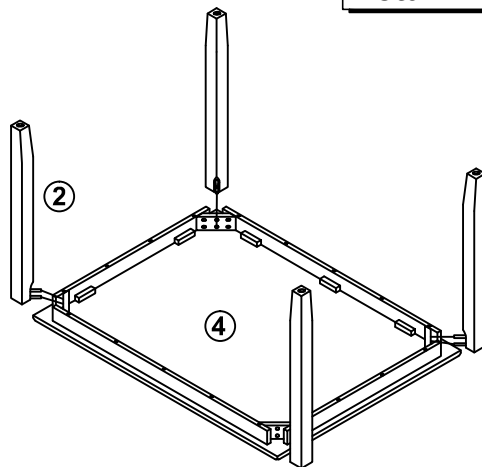


Table Parts Key

No	Code	Qty	Description
1	923P01FT	4 pcs.	TableFloor Glide
2	923P02	4 pcs.	Leg
3	923P26	4 pcs.	Corner Block
4	923P24	1 pc.	Table top



Detail A

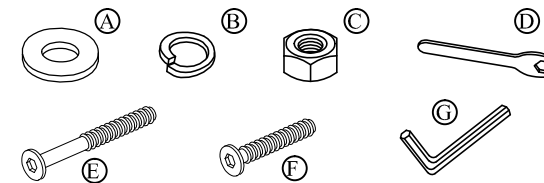


STEP 1

- Carefully lay table top upside down on a smooth flat surface to prevent scratches.
- Affix a leg to each corner of the table top as shown in Detail A using a flat washer, lock washer and nut.
- Once all legs are in place, fully tighten the nuts

5-Pack Hardware Kit (923P46) Chair Hardware

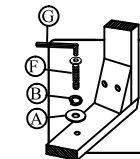
Ltr	Qty	Description
A	44 pcs.	Flat Washer
B	44 pcs.	Lock Washer
C	16 pcs.	Nut Øm6
D	4 pcs.	Key Wrench
E	16 pcs.	Long KD. Bolt Øm6x 75mm.
F	12 pcs.	Short KD. Bolt Øm6x 40mm.
G	4 pcs.	Allen Wrench
H	24 pcs.	Screw Ø4 x 38mm



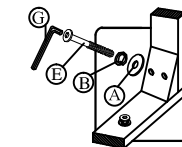
Chair Parts Key

No	Code	Qty	Description
5	923P01FC	16 pcs.	Chair Floor Glide
6	923P40	4 pcs.	Chair Back
7	923P41	4 pcs.	Complete Seat
8	923P42	4 pcs.	Right Facing Front Leg
9	923P43	4 pcs.	Left Facing Front Leg
10	923P44	4 pcs.	Right Facing Side Stretcher
11	923P45	4 pcs.	Left Facing Side Stretcher
12	923P49	4 pcs.	Front Stretcher

* Quantities noted are for a total of four chairs.



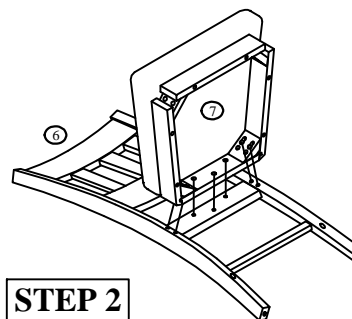
Detail A



Detail B

STEP 1

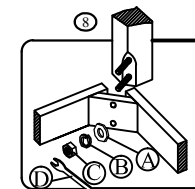
- Carefully lay chair back flat on a smooth flat surface to prevent scratches.
- Affix the complete seat to chair back, as shown in Detail A, using a flat washer, lock washer and short KD bolt.
- Secure complete seat to chair back corners, as shown in Detail B, using a flat washer, lock washer and long KD bolt. -- Tighten screws with provided Allen Wrench.



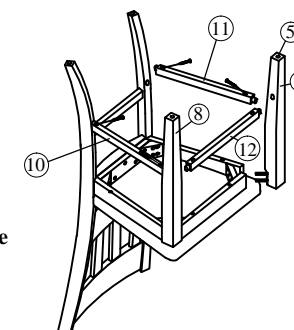
Detail C

STEP 2

- Carefully turn Chair upside down and attach each Leg to the front corners of the Complete Seat. Noting Right and Left Side Leg.
- Place Flat Washer, Lock Washer and Nut on for each bolt, using provided Key Wrench.
- Do not fully tighten the Nuts at this stage until all the parts are in position (See Detail C).
- Insert 2 Side Stretchers between the Front Legs and Back Legs (Noting Right and Left Side Stretcher), and insert the Front Stretcher between the Front Legs; fasten with Wood Screw using phillip-head screwdriver. (not provided). (See Detail D)
- Be sure to tighten all screws and nuts prior to using Chair.



DETAIL D



FABRIC CARE INSTRUCTION
REGULAR CARE:
Wipe gently using a soft damp cloth and mid deter gent DO NOT SATURATE.
FABRIC CONTENT:
100% p/u vinyl; Cleaning code "W"