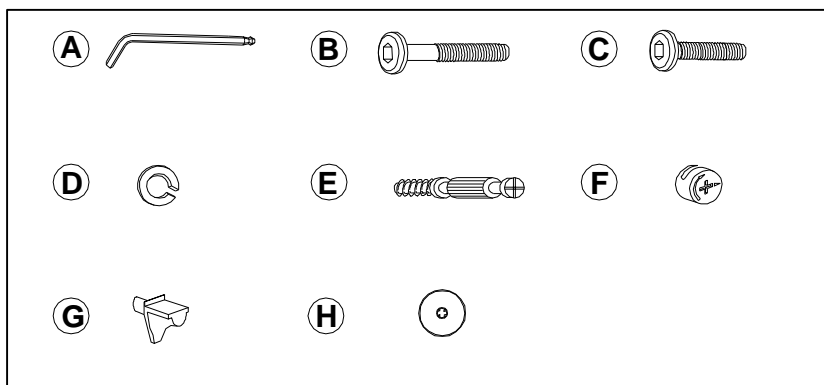
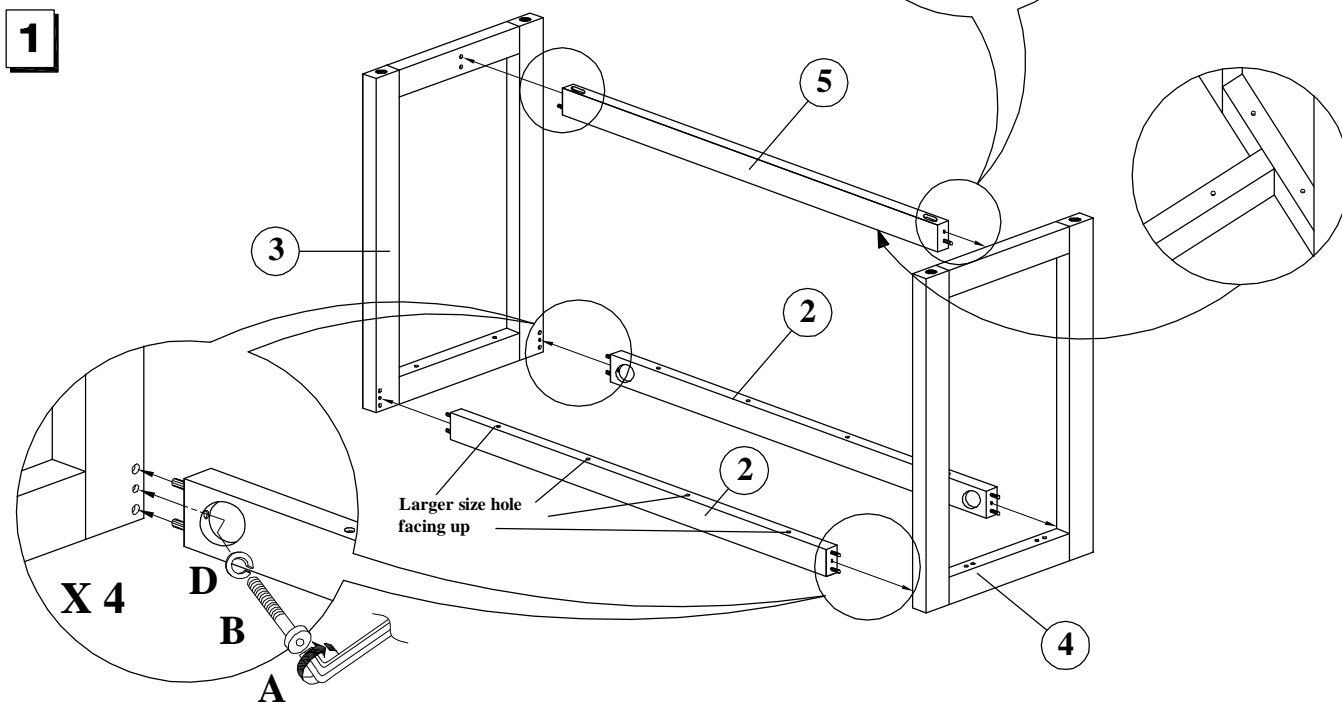
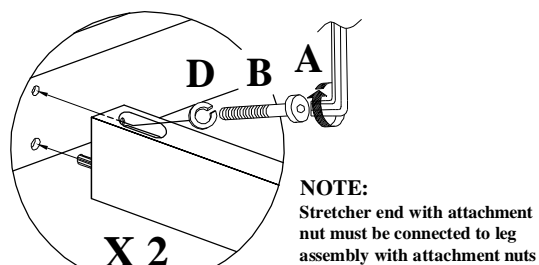


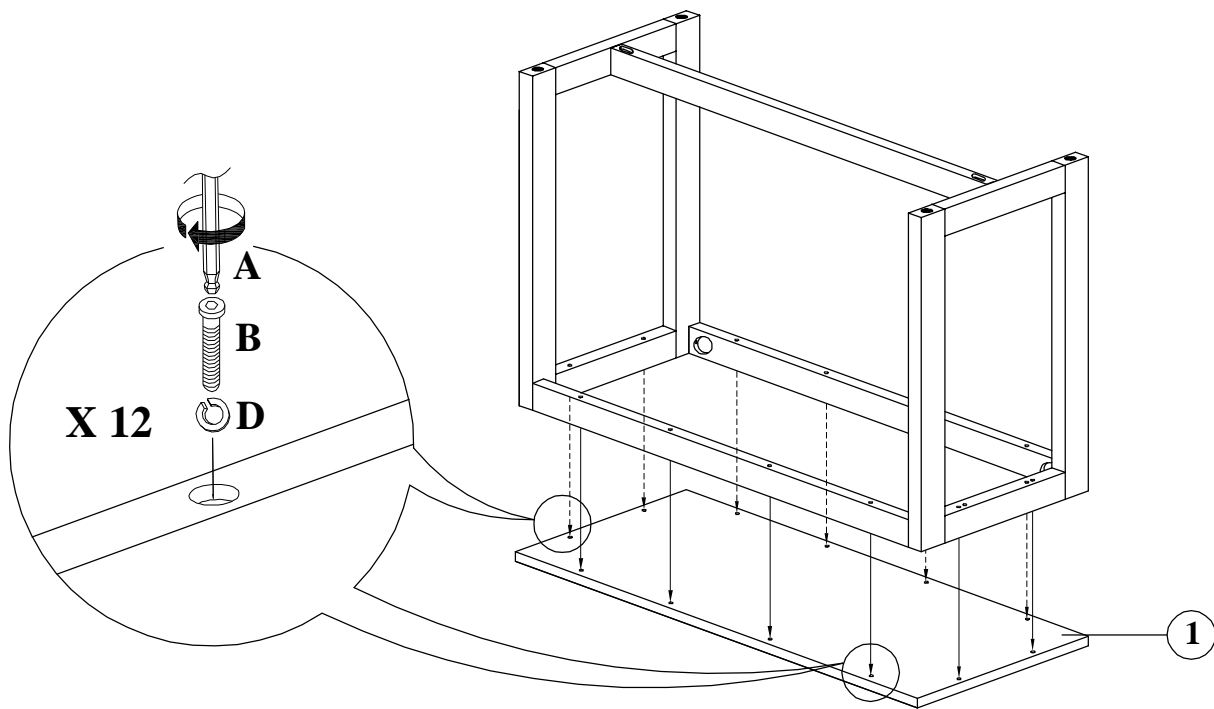
HARDWARE KIT (810-48P01)		
No.	Qty	Description
A	x 1	Allen Key M4 X 110mm
B	x 18	JCBC Bolt M6 X 50mm
C	x 5	JCBC Bolt M6 X 25mm
D	x 18	Spring Washer 1/4"
E	x 12	Lag Bolt (810-48P01L)
F	x 12	Lag Bolt Lock (810-48P01LL)
G	x 4	Shelf Pin (810-48P08P)
H	x 3	Screw Cap (810-48P01C)



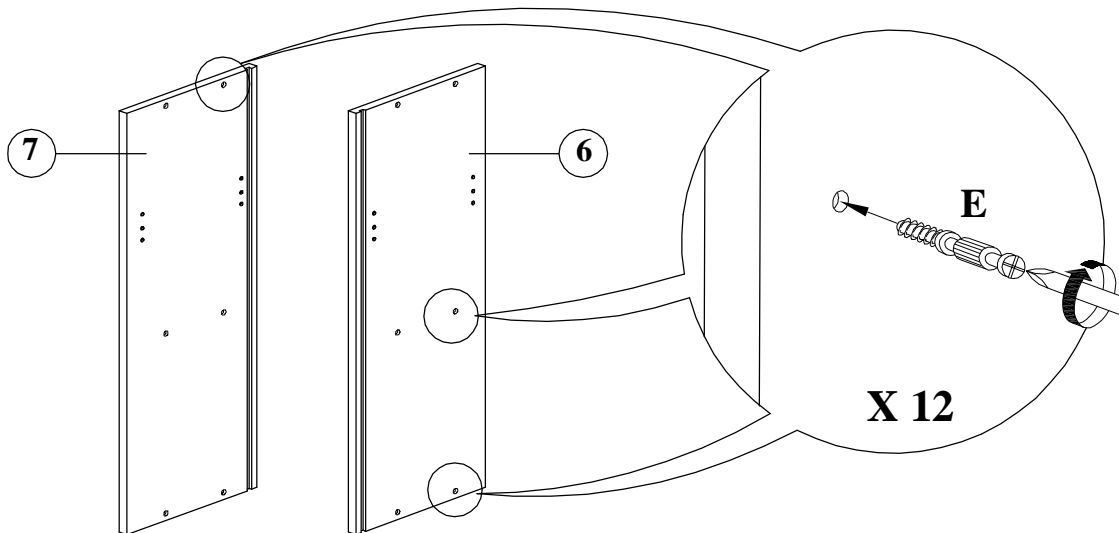
PART KEY			
No.	Code	Qty	Description
1	810-48P24	1 pc	Table Top
2	810-48P01A	2 pcs	Table Apron
3	810-48P53L	1 pc	Left Leg Assembly
4	810-48P53R	1 pc	Right Leg Assembly-Shelf Side
5	810-48P11	1 pc	Stretcher
6	810-48P08RS	1 pc	Storage Box Right Side
7	810-48P08LS	1 pc	Storage Box Left Side
8	810-48P08T	1 pc	Storage Box Top
9	810-48P08B	1 pc	Storage Box Bottom
10	810-48P08F	1 pc	Fixed Shelf
11	810-48P08A	1 pc	Adjustable Shelf
12	810-48P38	1 pc	Storage Box Back



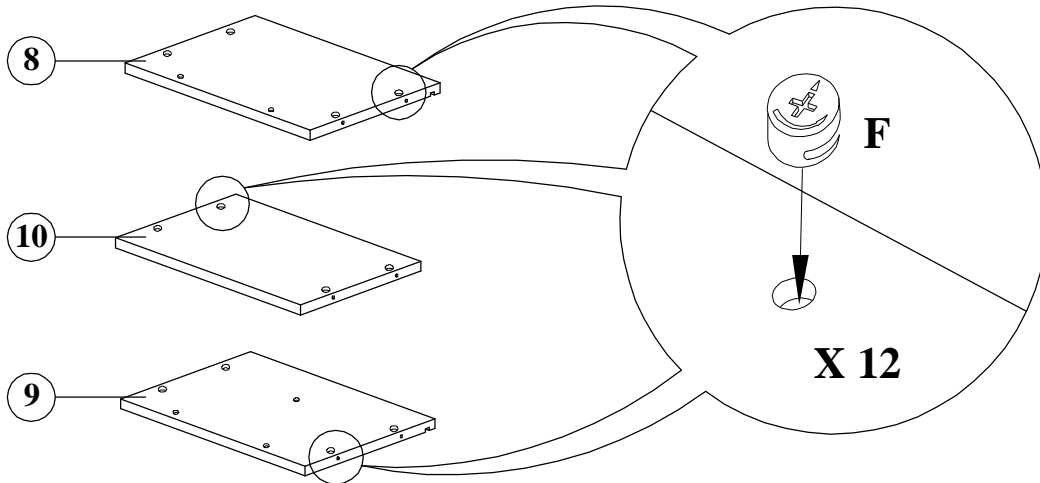
2



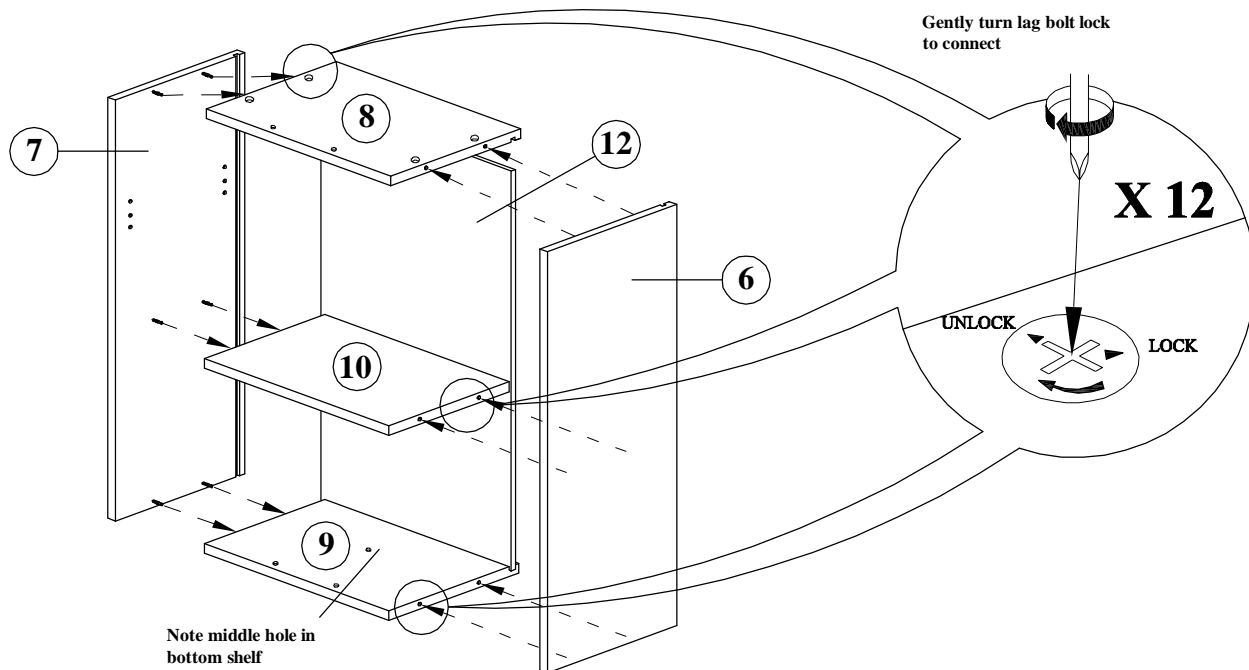
3



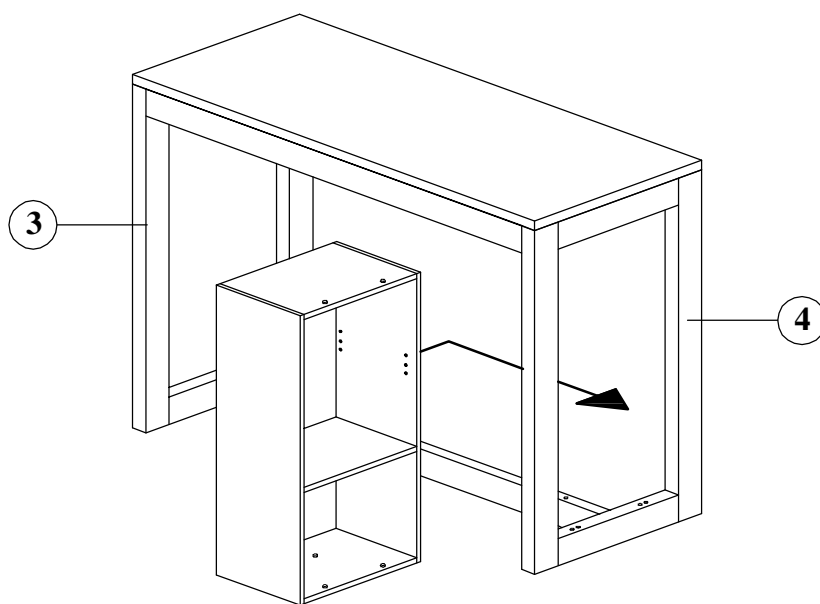
4



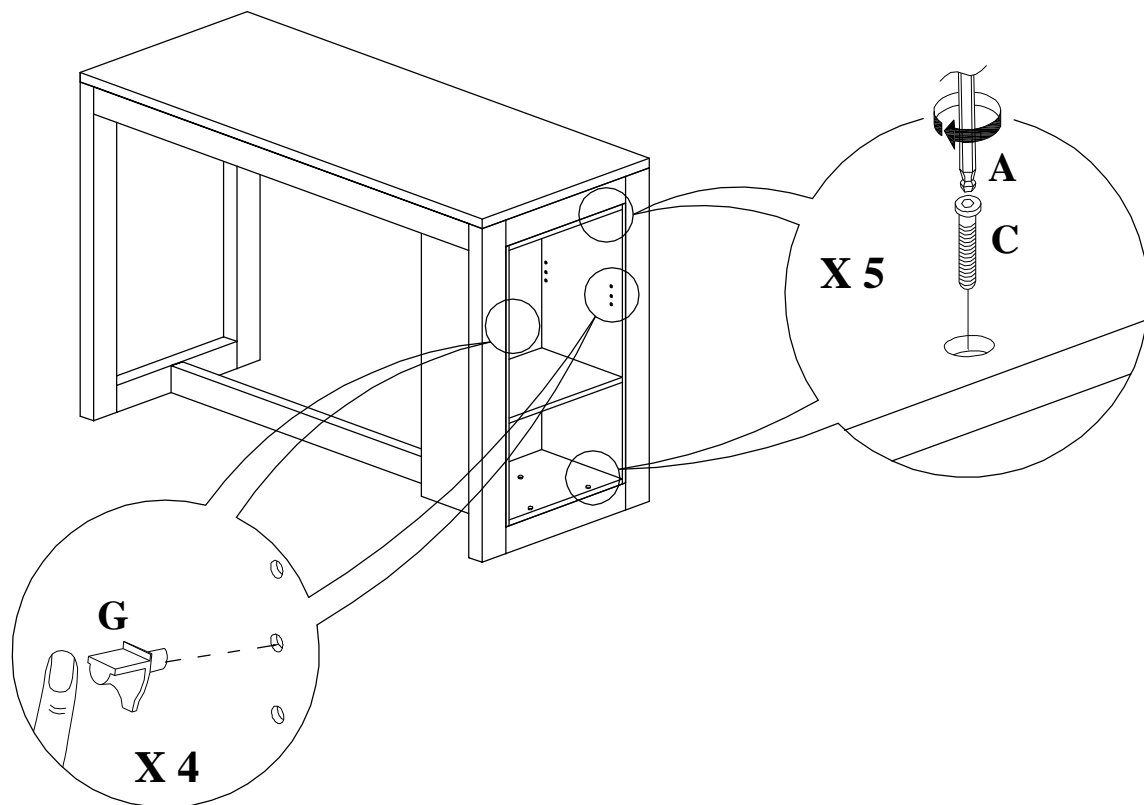
5



6



7



8

