




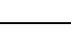
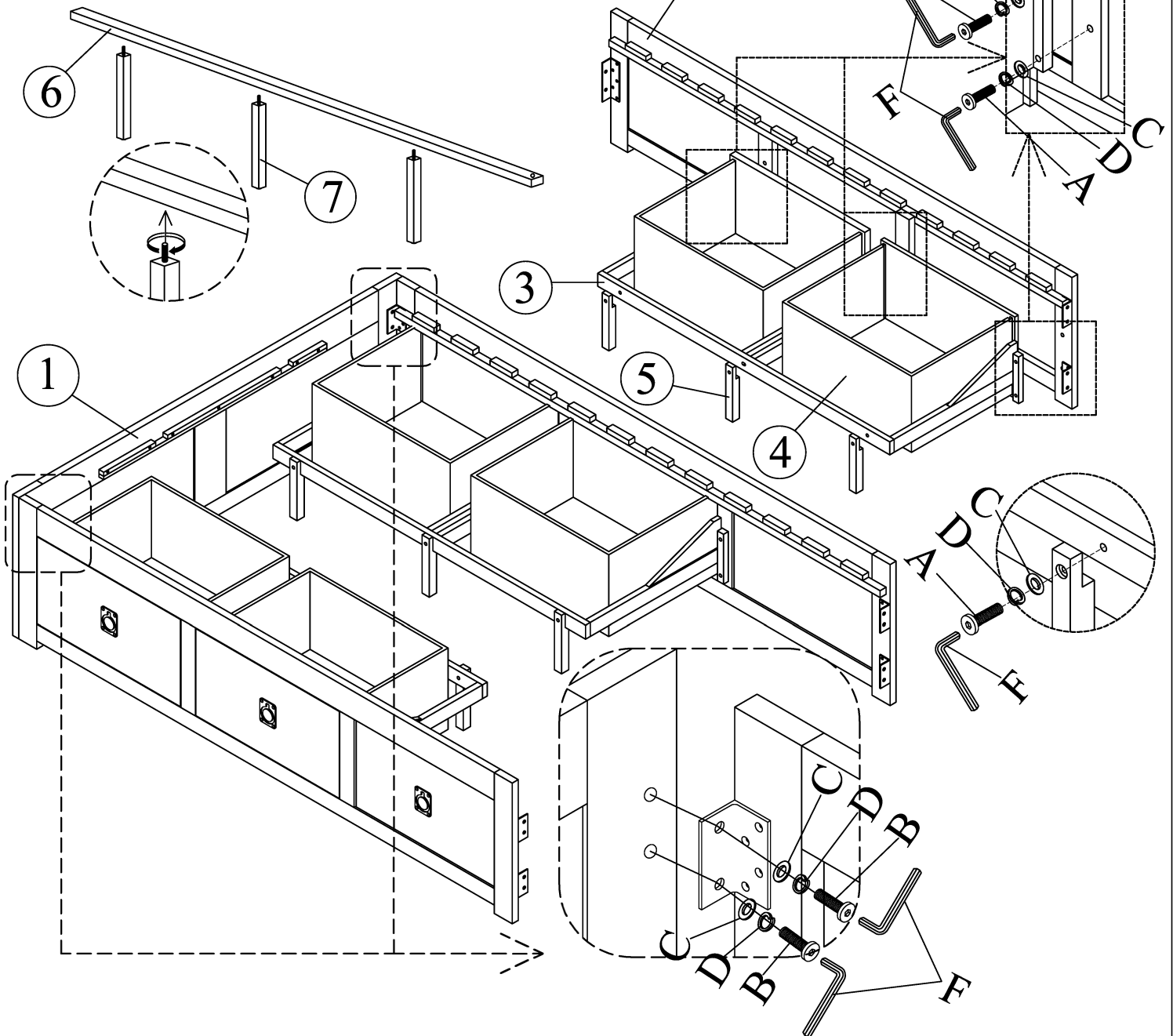


# jOFRAN INC.

## ASSEMBLY INSTRUCTION & PARTS IDENTIFICATION MODEL #707-95-96-87 KONA GROVE KING BED

Thank you for purchasing this quality product. Be sure to check all packing material carefully for small parts that may have come loose inside the carton during shipment







Parts key				Hardware kit #707-96P01		
No	Code	Qty	Description	No	Description	Qty
1		1 Pc	FOOTBOARD	A	 Bolt M6 x 35	18 Pcs
2		2 Pcs	SIDE RAILS	B	 Bolt M8 x 20	8 Pcs
3		2 Pcs	SIDE DRAWER FRAME	C	 Lock washer M8	26 Pcs
4		4 Pcs	SIDE DRAWER	D	 Flat washer M8 x 16	26 Pcs
5	707-87P02D	6 Pcs	DRAWER SUPPORT LEG	E	 Screw M4x30	28 Pcs
6		2 Pcs	CENTER SUPPORT	F	 Allen Key K4	1 Pc
7	707-96P02C	6 Pcs	CENTER LEG			
8		13 Pcs	SLATS			
9	707P04	6 Sets	KNOB			
10	707-87P06	8 Sets	FULL EXTENSION GLIDE			

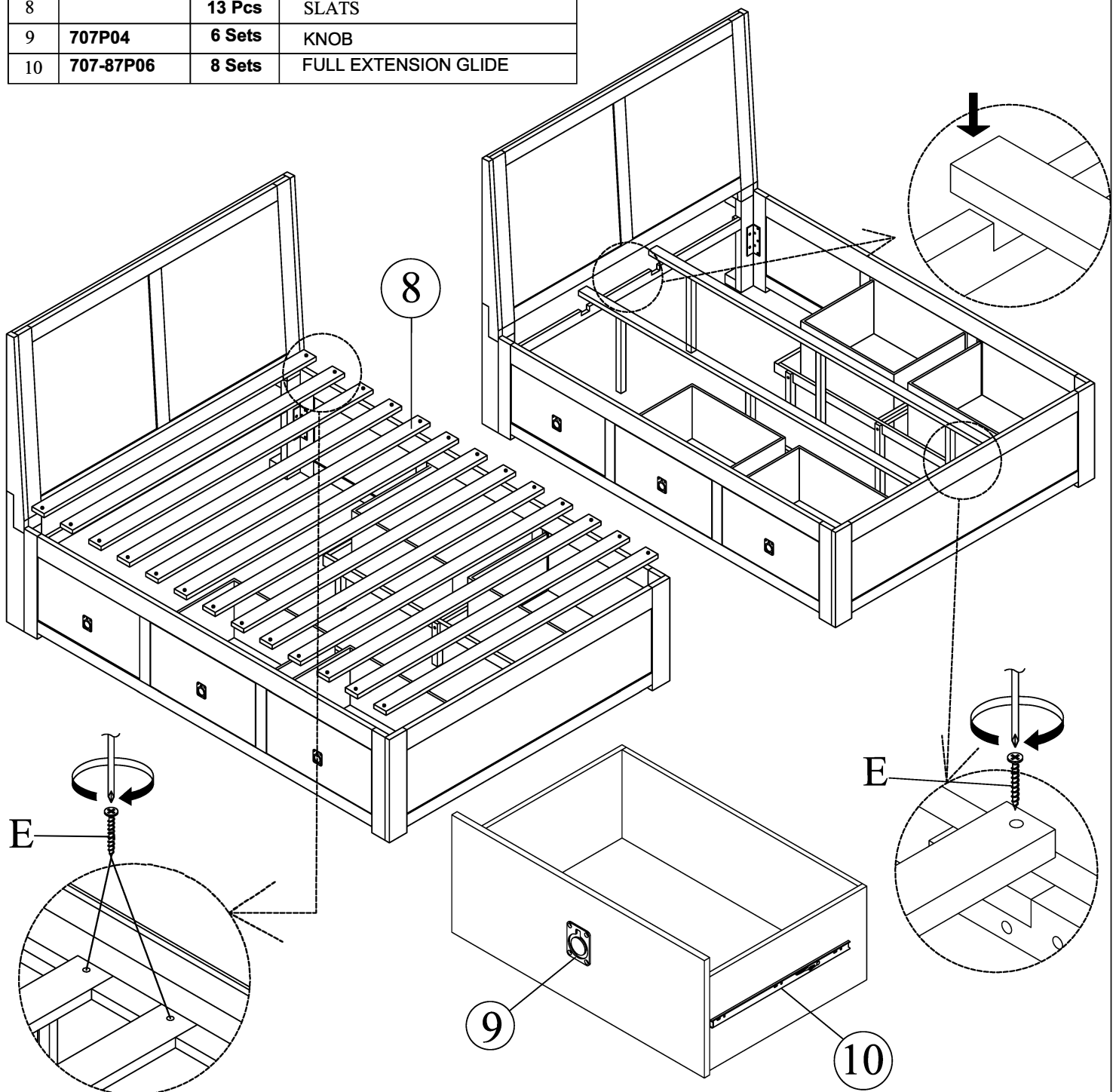


# jOFRAN INC.

## ASSEMBLY INSTRUCTION & PARTS IDENTIFICATION MODEL #707-95-96-87 KONA GROVE KING BED

Thank you for purchasing this quality product. Be sure to check all packing material carefully for small parts that may have come loose inside the carton during shipment

Parts key				Hardware kit #707-96P01		
No	Code	Qty	Description	No	Description	Qty
1	707-96	1 Pc	FOOTBOARD	A	 Bolt M6 x 35	18 Pcs
2		2 Pcs	SIDE RAILS	B	 Bolt M8 x 20	8 Pcs
3		2 Pcs	SIDE DRAWER FRAME	C	 Lock washer M8	26 Pcs
4		4 Pcs	SIDE DRAWER	D	 Flat washer M8 x 16	26 Pcs
5	707-87P02D	6 Pcs	DRAWER SUPPORT LEG	E	 Screw M4x30	27 Pcs
6		2 Pcs	CENTER SUPPORT	F	 Allen Key K4	1 Pc
7	707-96P02C	6 Pcs	CENTER LEG			
8		13 Pcs	SLATS			
9	707P04	6 Sets	KNOB			
10	707-87P06	8 Sets	FULL EXTENSION GLIDE			



MADE IN VIET NAM

# jOFRAN INC.









## ASSEMBLY INSTRUCTION & PARTS IDENTIFICATION MODEL #707-95-96-87 KONA GROVE KING BED

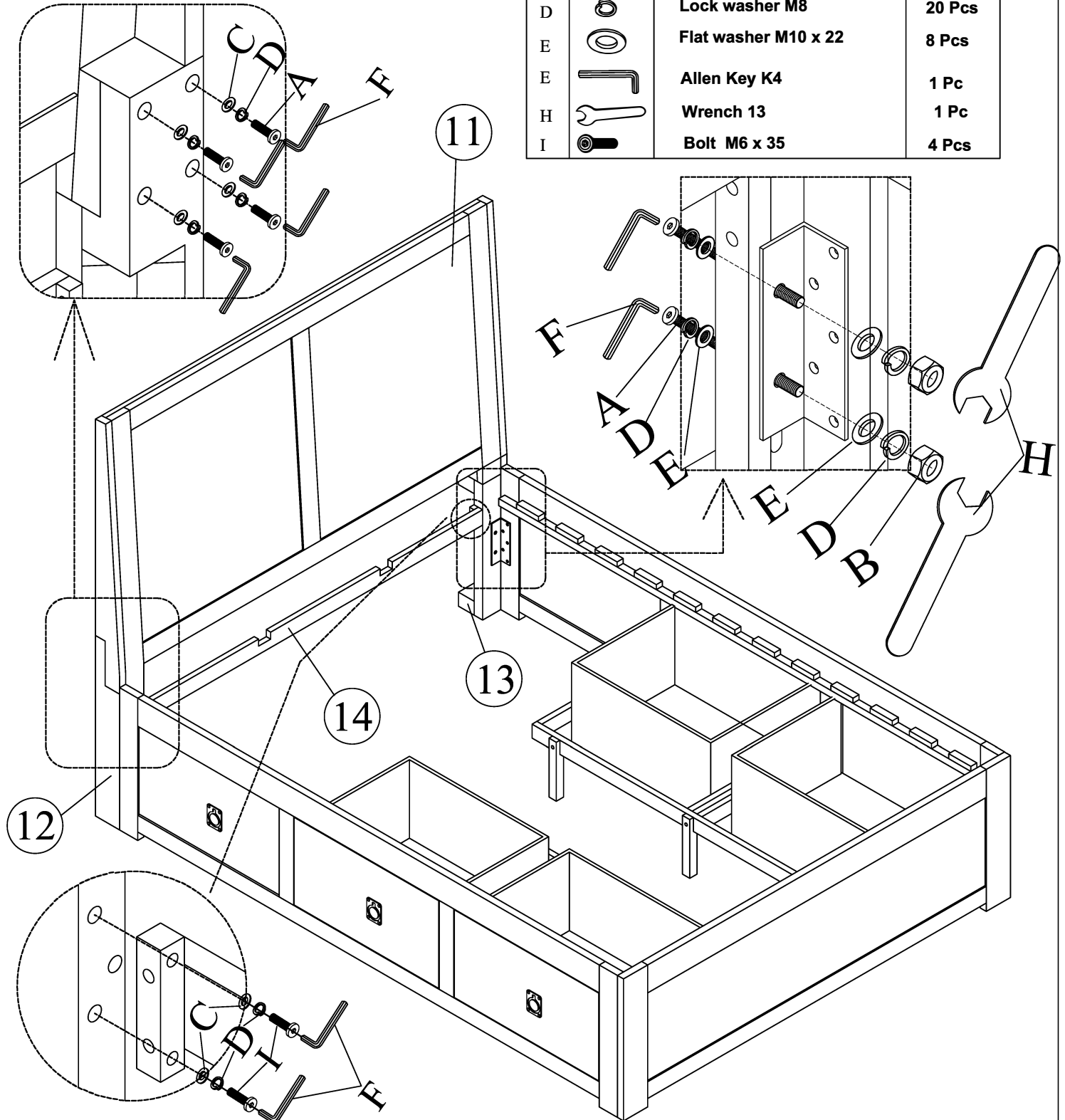
Thank you for purchasing this quality product. Be sure to check all packing material carefully for small parts that may have come loose inside the carton during shipment

### Parts key for headboard

No	Code	Qty	Description
11	707-95	1 Pc	Headboard
12	707-95P02L	1 Pc	Left Facing Leg
13	707-95P02R	1 Pc	Right Facing Leg
14		1 Pc	Back Stretcher

### Hardware Pack #707-95P01

No	Description	Qty
A	 Bolt M8 x 60	12 Pcs
B	 Nut M8	4 Pcs
C	 Flat washer M8 x 16	12 Pcs
D	 Lock washer M8	20 Pcs
E	 Flat washer M10 x 22	8 Pcs
E	 Allen Key K4	1 Pc
H	 Wrench 13	1 Pc
I	 Bolt M6 x 35	4 Pcs



MADE IN VIET NAM