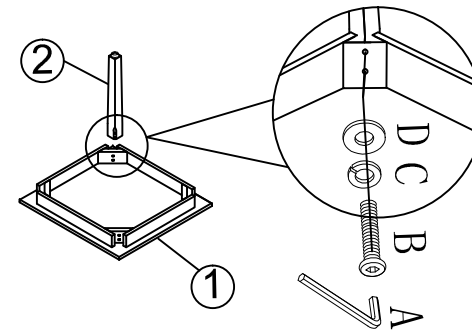
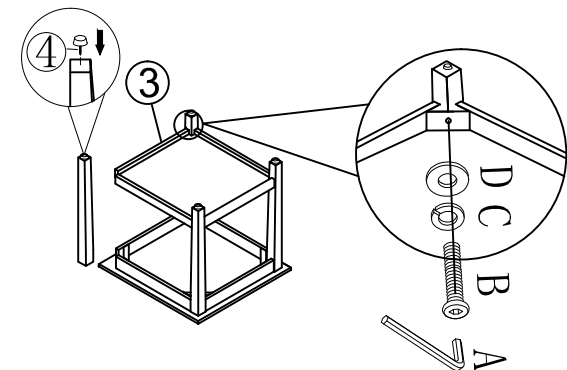


STEP 1



STEP 2



			END TABLE
A	Allen Wrench 4MM	698-3P01	1PC
B	Screw $\phi 1/4 \times 2''$		12PCS
C	Lock Washer $\phi 1/4''$		12PCS
D	Flat Washer $\phi 1/4'' \times 16MM$		12PCS
1	Top		1PC
2	Leg	698-3P02	4PCS
3	Shelf	698-3P08	1PC
4	Floor Glide	698P01F	4PCS

Made in china