






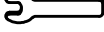
# ASSEMBLY INSTRUCTIONS & PARTS IDENTIFICATION

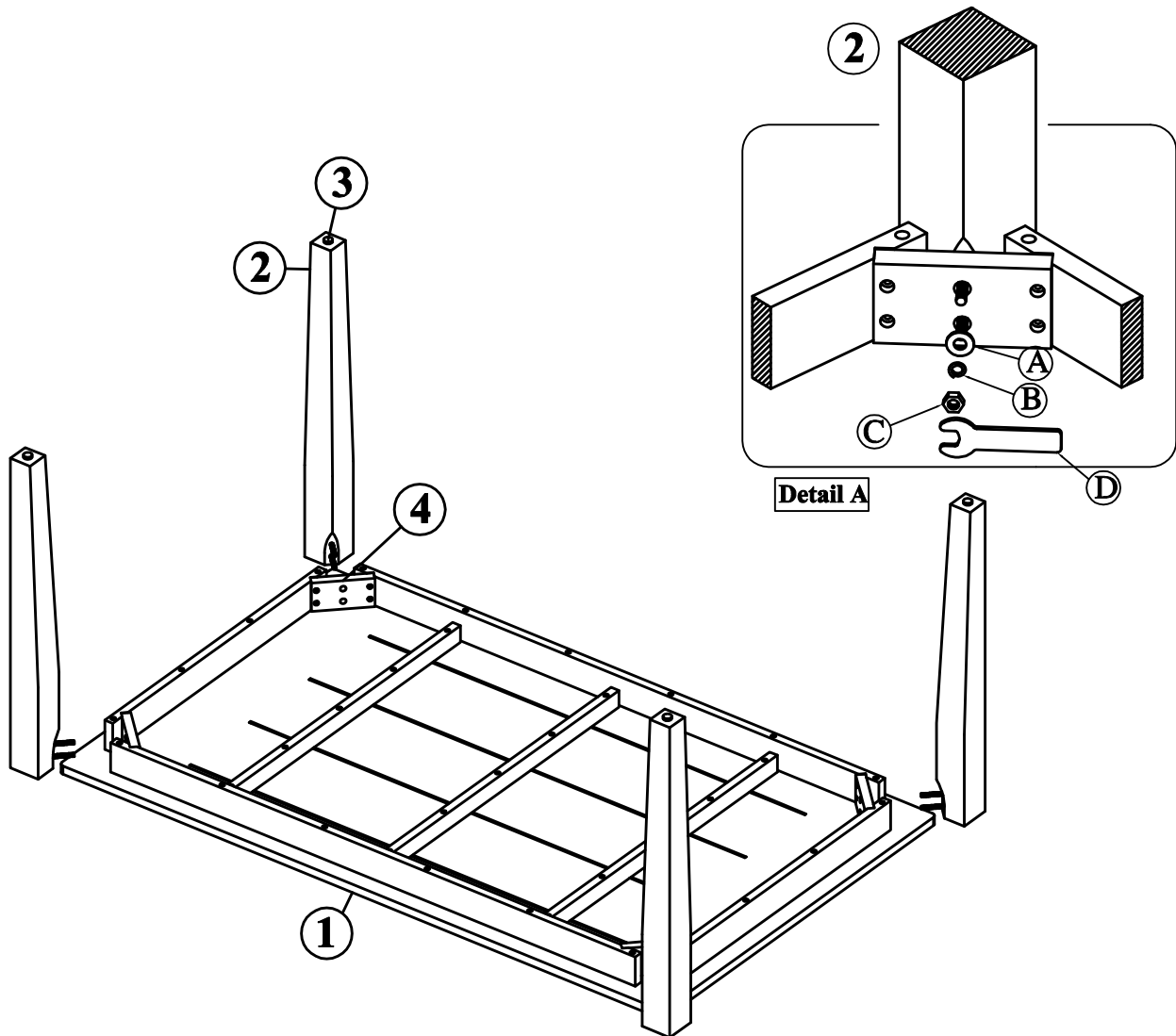
## MODEL # 552-60-LS

### DINING TABLE

**Thank you for purchasing this quality product. Be sure to check all packing material carefully for small parts that may have come loose inside the carton during shipment**

Key Parts			
No	Code	Qty	Description
1	552-60P24	1 pc	Table Top
2	552-60P02	4 pcs	Table Leg
3	552P01F	4 pcs	Floor Glide
4	552-60P26	4 pcs	Corner Block

Hardware kit 552-60P01			
No		Description	Qty
A		Flat washer	8 pcs
B		Lock washer	8 pcs
C		Nut ØM8	8 pcs
D		Key wrench	1 pc



#### STEP 1

- Carefully lay Table Top upside down on a smooth flat surface to prevent scratches.
- Attach each Leg to each corner of the Table Top as shown in illustration. Insert a Flat Washer, Lock Washer and Nut on to the insert nut of each Leg
- Once all Legs are in place, fully tighten nuts by turning clockwise using provided Key Wrench until secure.