


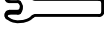
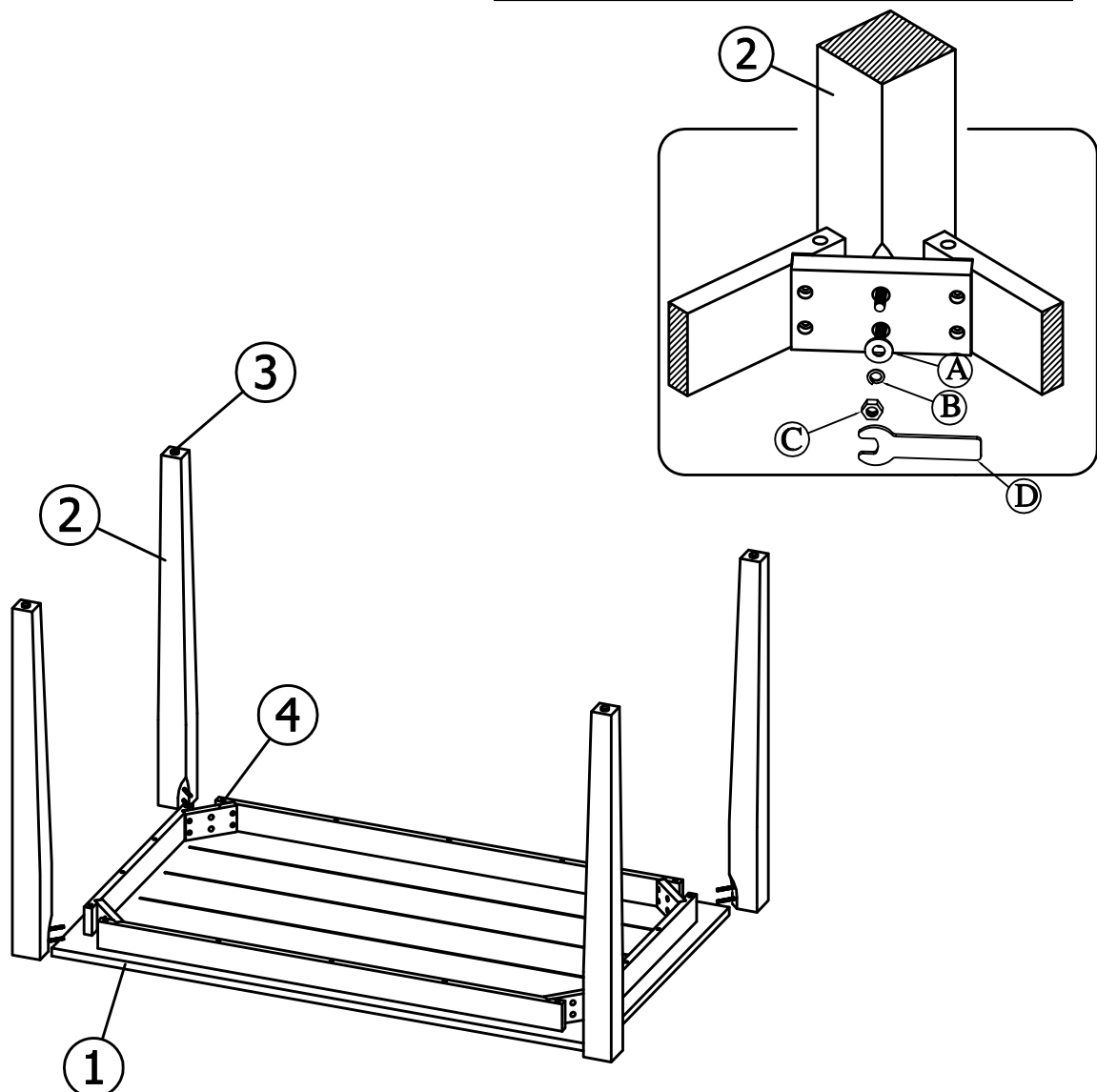


**Thank you for purchasing this quality product. Be sure to check all packing material carefully for small parts that may have come loose inside the carton during shipment**

Key Parts			
No	Code	Qty	Description
1	452-54P24	1 Pc	Table Top
2	452-54P02	4 Pcs	Table Leg
3	452P01F	4 Pcs	Floor Glide
4	452-54P26	4 Pcs	Corner Block

Hardware kit (452-54P01)			
No	Description		Q'ty
A		Flat washer	8 Pcs
B		Lock washer	8 Pcs
C		Nut $\phi$ M8	8 Pcs
D		Key wrench	1 Pc



### STEP 1

- Carefully lay Table Top upside down on a smooth flat surface to prevent scratches.
- Attach each Leg to each corner of the Table Top as shown in illustration. Insert a Flat Washer, Lock Washer and Nut on to the insert nut of each Leg
- Once all Legs are in place, fully tighten nuts by turning clockwise using provided Key Wrench until secure.