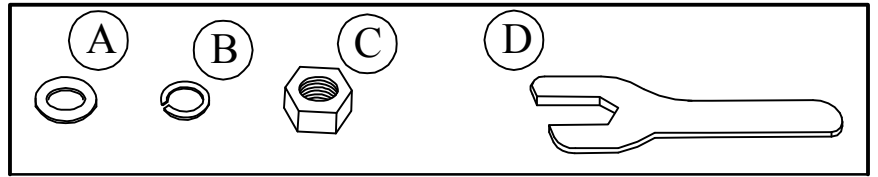
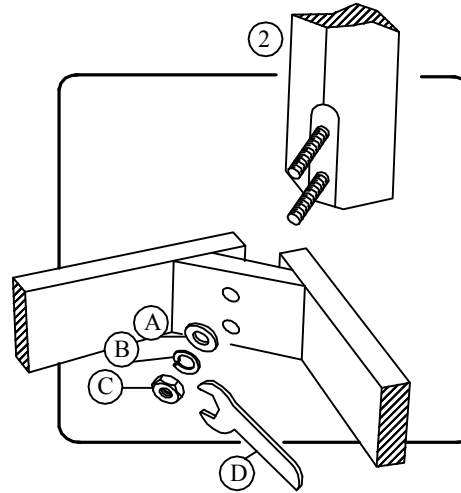


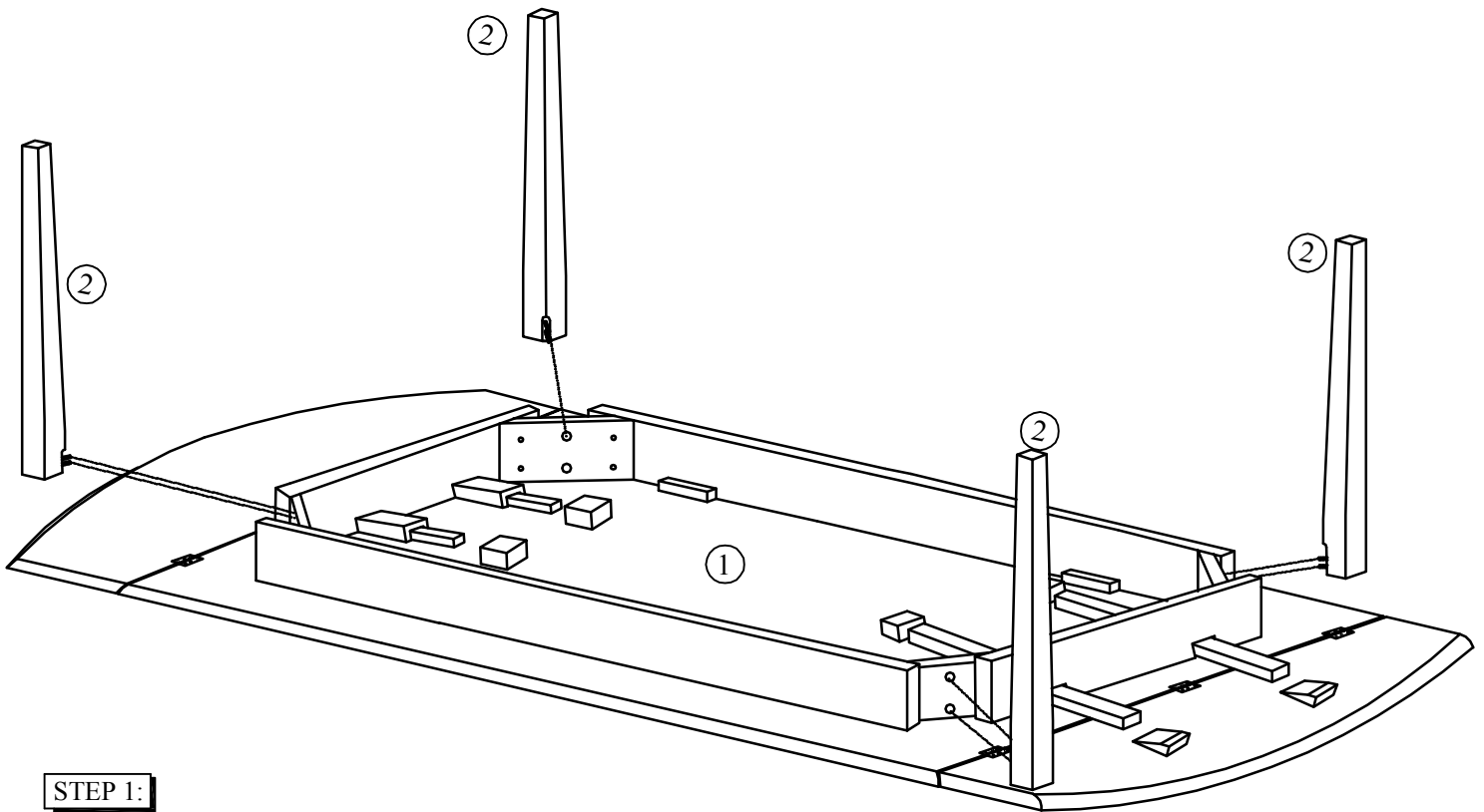
| HARDWARE KIT (342-48P01) | | |
|--------------------------|-------|-------------|
| Ltr | QTY | DESCRIPTION |
| A | 8 pcs | FLAT WASHER |
| B | 8 pcs | LOCK WASHER |
| C | 8 pcs | NUT ØM8 |
| D | 1 pc | KEY WRENCH |



| PARTS KEY | | | |
|-----------|------------|-------|-------------------|
| No | Code | Qty | Description |
| 1 | 342-48P24 | 1 pc | Table Top |
| 2 | 342-48P02 | 4 pcs | Table Leg |
| 3 | 342-48P01F | 4 pcs | Floor Glide |
| 4 | 342-48P01H | 6 pcs | Drop Leaf Hinge |
| 5 | 342-48P28 | 2 pcs | Drop Leaf |
| 6 | 342-48P26 | 4 pcs | Corner Block |
| 7 | 342-48P36 | 4 pcs | Drop Leaf Support |



DETAIL A:



STEP 1:

- Carefully lay Table Top upside down on a smooth flat surface to prevent scratches.
- Affix each Leg to each corner of the Table Top as shown in illustration. Insert a Flat Washer, Lock Washer and Nut on to the bolts of each Leg
- Once all Legs are in place, fully tighten nuts by turning clockwise using provided Key Wrench until secure. (See Detail A)