


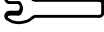
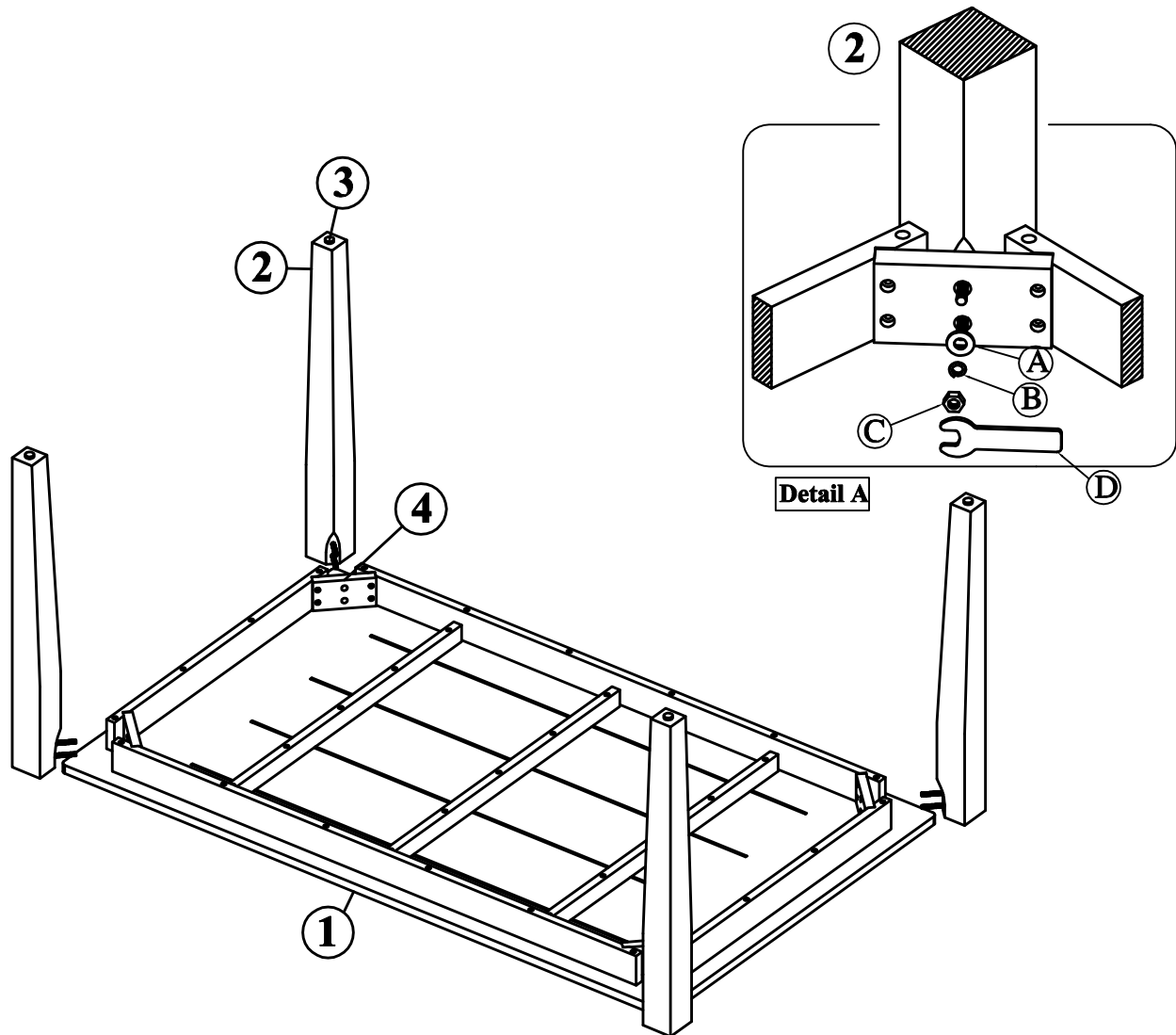


Thank you for purchasing this quality product. Be sure to check all packing material carefully for small parts that may have come loose inside the carton during shipment

| Key Parts | | | |
|-----------|-----------|-------|--------------|
| No | Code | Qty | Description |
| 1 | 252-60P24 | 1 pc | Table Top |
| 2 | 252-60P02 | 4 pcs | Table Leg |
| 3 | 252P01F | 4 pcs | Floor Glide |
| 4 | 252-60P26 | 4 pcs | Corner Block |

| Hardware kit 252-60P01 | | | |
|------------------------|---|-------------|-------|
| No | | Description | Qty |
| A |  | Flat washer | 8 pcs |
| B |  | Lock washer | 8 pcs |
| C |  | Nut ØM8 | 8 pcs |
| D |  | Key wrench | 1 pc |



STEP 1

- Carefully lay Table Top upside down on a smooth flat surface to prevent scratches.
- Attach each Leg to each corner of the Table Top as shown in illustration. Insert a Flat Washer, Lock Washer and Nut on to the insert nut of each Leg
- Once all Legs are in place, fully tighten nuts by turning clockwise using provided Key Wrench until secure.