



furnishing better
lives together

ASSEMBLY INSTRUCTION & PARTS IDENTIFICATION MODEL # 2350-1B/1T SEQUOIA COFFEE TABLE

Thank you for purchasing this quality product. Be sure to check all packing material carefully for small parts that may have come loose inside the carton during shipment.

TABLE COMPONENTS			
No		Qty	Description
1		1 Pcs	Sequoia Coffee Table Top
2		2 Pcs	Sequoia Coffee Table Base
3		8 Pcs	Felt Pad
4		2 Pcs	Metal Attachment Plate

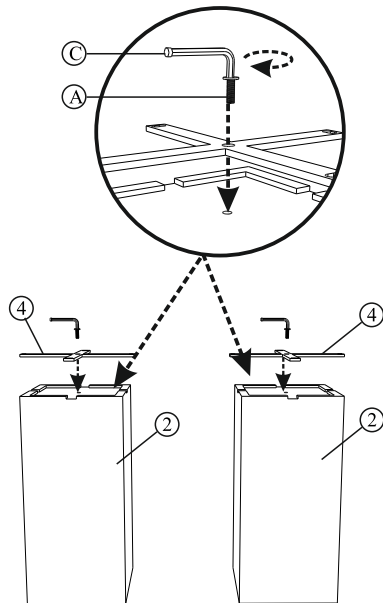
TABLE HARDWARE KIT 2351-1TP01			
No.		Description	Qty
A		Allen Bolt M8 x 25mm	10 Pcs
B		Flat Washer	8 Pcs
C		Allen Key	1 Pcs

NOTE:

Two people are required to set up this table
One base cartons required for the table.

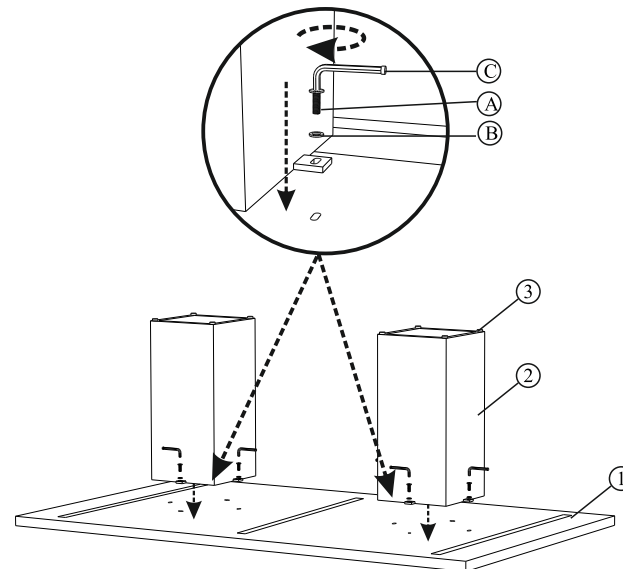
STEP 1

Connect the metal in groove of the base using the Bolt A and tightening all bolt with the provided Allen Key.



STEP 2

Attach the two bases to the tabletop using a Bolt and Flat Washer. Once all bolts are in place, fully tighten all bolts with provided Allen Key.



STEP 3

With the second person, carefully flip the table right side up.

