





furnishing better
lives together

ASSEMBLY INSTRUCTIONS

2347-3

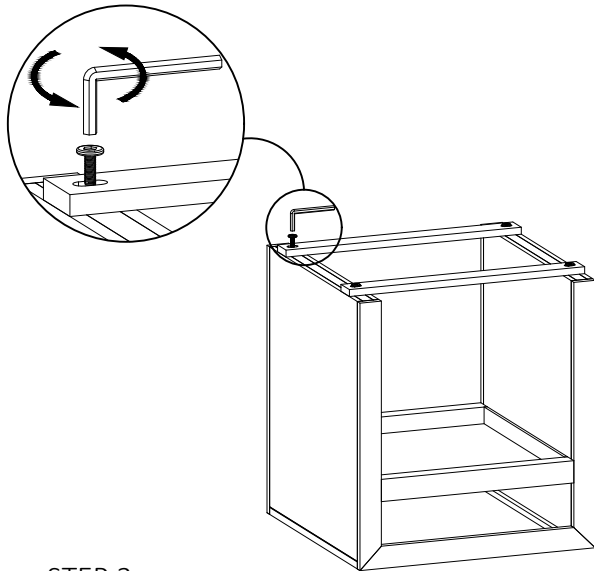
DEV END TABLE

Thank you for purchasing this quality product. Be sure to check all packing material carefully for small parts that may have come loose inside the carton during shipment.

Table Components				Hardware Kit 2347P01			
No.		Description	Q'ty	No.	image	Description	Q'ty
1		END TABLE	1 PC	A		LEVELER M8*25 MM	4 PC
				B		ALLEN WRENCH 5 MM	1 PC

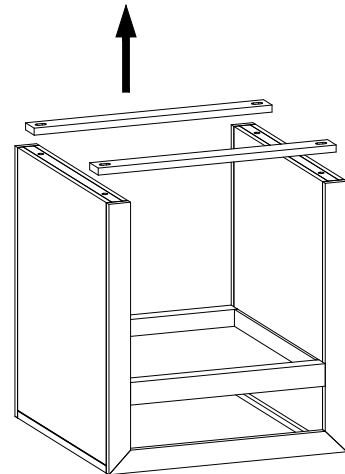
STEP 1.

Remove the end table from the carton and place on a padded surface to prevent scratches.
Remove the allen bolts holding down the two wooden packing strips.



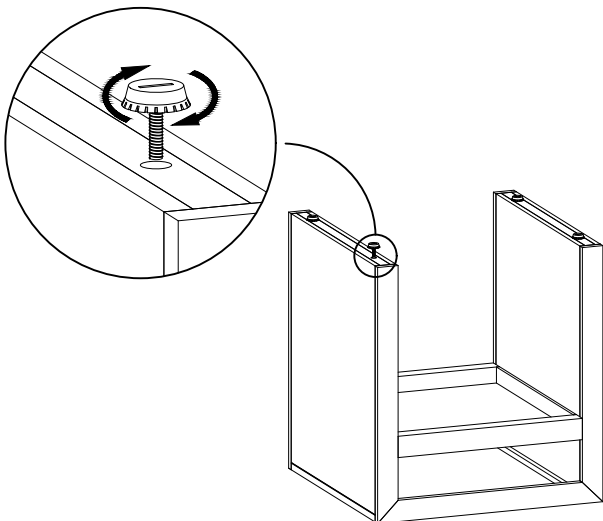
STEP 2.

Remove the wooden strip from the end table.



STEP 3.

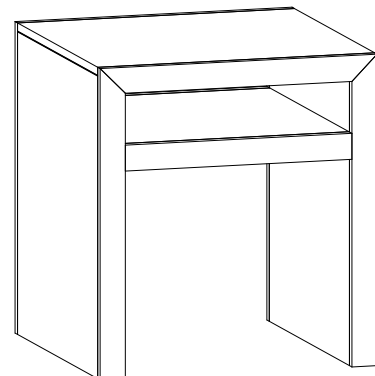
Please place the four levelers in end table.



STEP 4.

Adjust floor levelers as needed to level end table.

Product is ready to use.



MADE IN INDIA