



furnishing better  
lives together

# ASSEMBLY INSTRUCTIONS & PARTS IDENTIFICATION

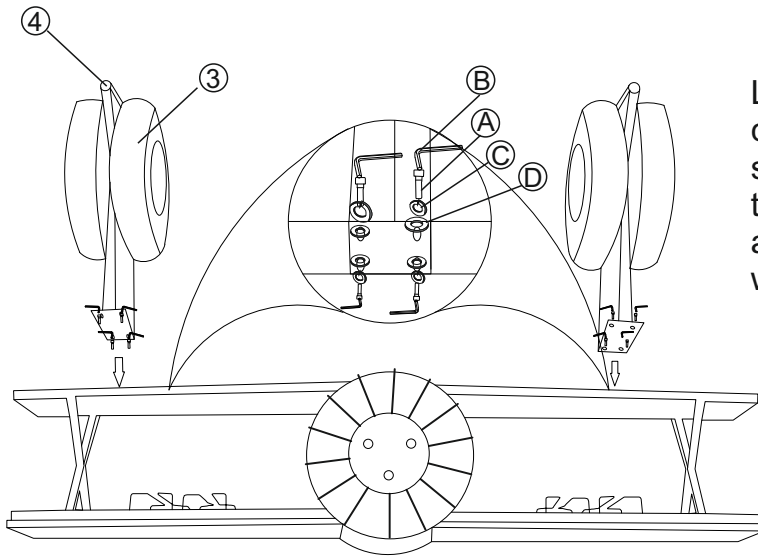
## MODEL#2323-MAVERICK

### MAVERICK AIRPLANE BAR

Thank you for purchasing this quality product. Be sure to check all packing material carefully of small parts that may have come loose inside the carton during shipment

KEY PARTS			
NO.	CODE	DESCRIPTION	QTY.
1		TABLE TOP	1 pc
2		PROPELLER BLADE	1 pc
3		TIRE ASSEMBLY	2 pc
4	2323-MAVERICKP01F	FLOOR PROTECTOR	4 pc

HARDWARE KIT# MAVERICKP01			
NO.	CODE	DESCRIPTION	QTY.
A		ALLEN BOLT M08 x 25mm	9 pc
B		ALLEN KEY 5 mm	1 pc
C		LOCK WASHER	8 pc
D		FLAT WASHER	8 pc



#### STEP 1

Lay the tabletop upside down on a clean padded surface to prevent scratches. Attach the tire assemblies to the body using a bolt flat washer and a lock washer. Tighten by hand with the provided Allen wrench.

#### STEP 2

Turn the bar right side up to attach the propeller. Rotate the propeller on the threaded bolt clockwise until secured. Attach the Allen bolt & fasten at your desired position.

