



furnishing better
lives together

WWW.JOFRAN.COM

ASSEMBLY INSTRUCTIONS & PARTS IDENTIFICATION 2323-FOOS FOOSBALL TABLE

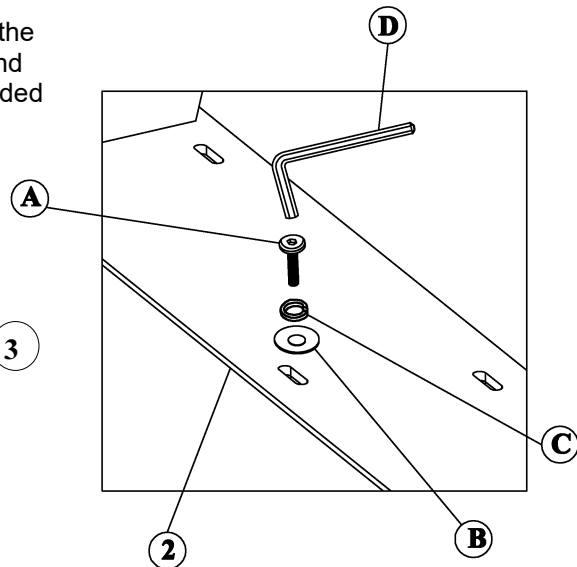
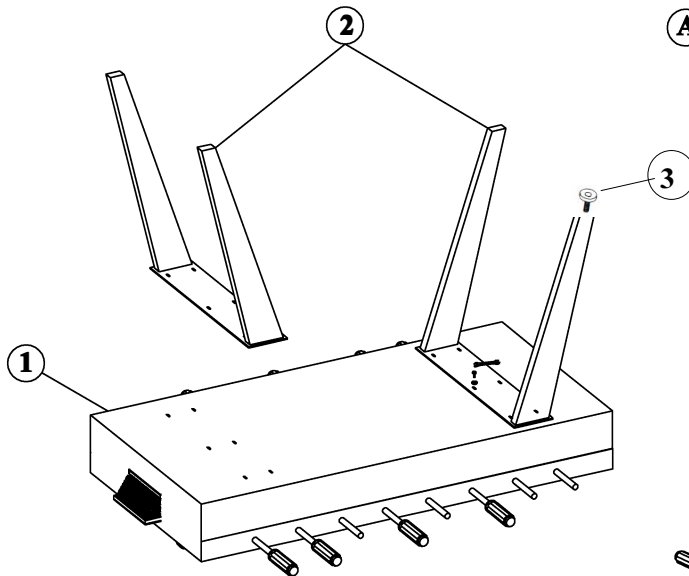
Thank you for purchasing this quality product. Be sure to check all packing material carefully for small parts that may have come loose inside the carton during shipment.

Key Parts			
No.	Code	Qty	Description
1.		1 Pc	Table top
2.		2 Pcs	Table legs
3.	2323PONGP01L	4+2 Pcs	Leveler

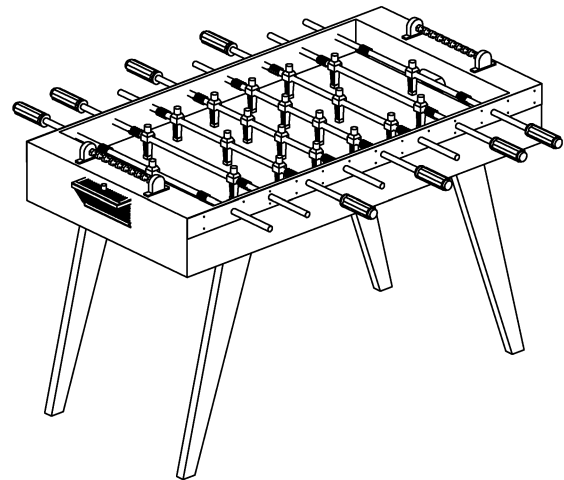
Hardware kit 2323- FOOSP01			
No.		Description	Qty
A		bolt (M8x1.25x20mm)	12 Pcs
B		Flat washer (M8)	12 Pcs
C		Lock washer (M8)	12 Pcs
D		Allen key	1 Pc

SET UP REQUIRES TWO PEOPLE

Place the Foos Ball Table upside down on a padded surface being careful to secure the paddle arms. Attach the legs with the angle facing out with a bolt, lock washer, and a flat washer. Fully hand tighten with Allen Wrench provided



To level the Foos Ball Table, adjust the levelers on each leg as needed.



MADE IN INDIA