



furnishing better  
lives together

WWW.JOFRAN.COM

# ASSEMBLY INSTRUCTIONS & PARTS IDENTIFICATION MODEL # 2271-WESSTBLK WES COUNTER STOOL BLACK

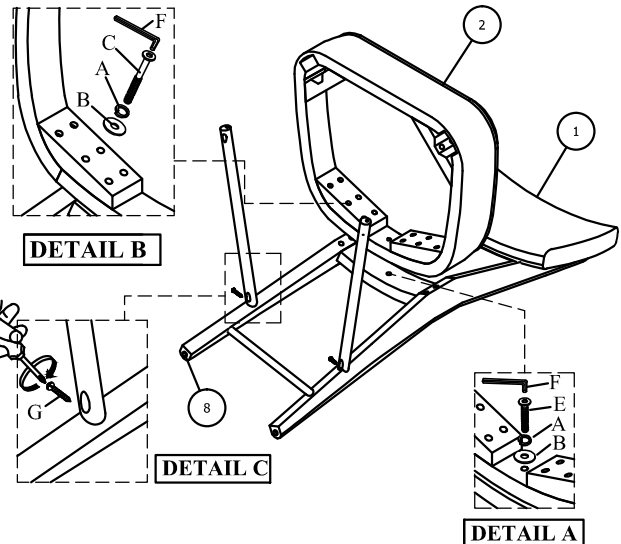
Thank you for purchasing this quality product. Be sure to check all packing material carefully for small parts that may have come loose inside the carton during shipment.

Hardware kit (WESSTBLKP46)		
No	Description	Q'Ty
A	Lock Washer Ø6.2	9 pcs
B	Flat Washer Ø6.2	9 pcs
C	Long Bolt Ø6.3 x 0.794 x 80mm(L)	4 pcs
D	Medium Bolt Ø6.3 x 0.794 x 50mm(L)	4 pcs
E	Short Bolt Ø6.3 x 0.794 x 40mm(L)	1 pcs
F	Allen Key	1 pc
G	Screw Ø4 x 35mm	6 pcs

Key Parts			
No	Code	Description	Q'Ty
1		Chair Back	1 pc
2	WESSTBLKP41	Complete Seat	1 pc
3	WESSTBLKP42	Right Facing Front Leg	1 pc
4	WESSTBLKP43	Left Facing Front Leg	1 pc
5	WESSTBLKP44	Right Facing Side Stretcher	1 pc
6	WESSTBLKP45	Left Facing Side Stretcher	1 pc
7	WESSTBLKP49	Front Stretcher	1 pc
8	WESP01F	Floor glide	4 pcs

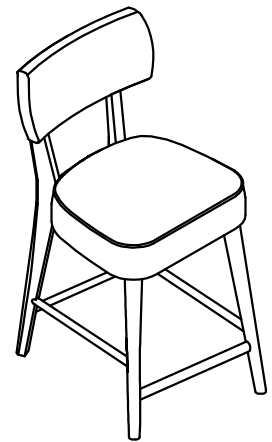
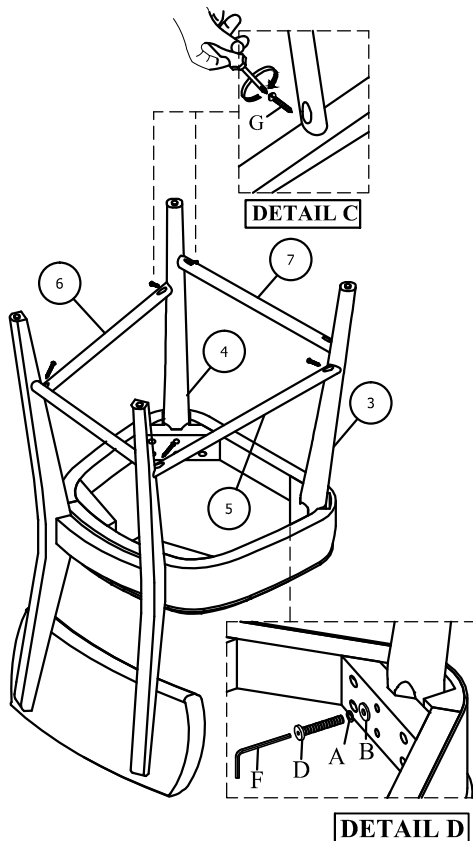
## STEP 1

- Carefully lay Chair Back flat on a smooth flat surface to prevent scratches.
- Attach Complete Seat to Chair Back by inserting a Flat Washer (B), Lock Washer (A) with Short Bolt (E) into each of the hole on the back rail of the seat, and Long Bolt (C) into each of 2 holes in the Complete Seat corners. (See Detail A & B).
- Tighten screws with provided Allen Key (F) by turning clockwise until secure



## STEP 2

- Carefully turn chair upside down and insert the right stretcher into the back right leg, then position the right front leg into the front corner block and connect the stretcher to the front leg.
- Insert the left stretcher into the back left leg, then position the left front leg into the left corner block and connect the stretcher to the front leg.
- Insert the front stretcher between the two front legs.
- Place Flat Washer (B), Lock Washer (A) with Medium Bolt (D) on each bolt, and hand tighten at this point. (See Detail D).
- Fasten stretchers with Wood Screws (G) by hand using a Phillips screwdriver (not provided) (See Detail C)
- Tighten all Bolt by using Allen Key (F)
- Be sure to tighten all screws and nuts prior to using Chair.



MADE IN VIETNAM