

# jOFFRAN INC.

**ASSEMBLY INSTRUCTIONS &  
PARTS IDENTIFICATION**  
MODEL # 2271-ROWAN42T MARBLE TOP  
2271-ROWAN42BGM BASE  
42" DINING TABLE  
GUN METAL FINISH

Thank you for purchasing this quality product. Be sure to check all packing material carefully for small parts that may have come loose inside the carton during shipment.

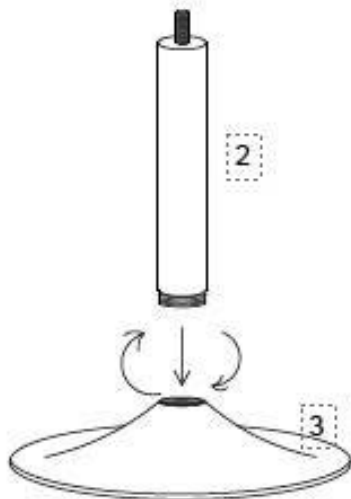
TABLE COMPONENTS			
NO	CODE	QTY	DESCRIPTION
1		1 PC	TABLE TOP
2	2271-ROWAN42BGMP11	1 PC	PEDESTAL COLUMN
3		1 PC	PEDESTAL BASE
4	2271-ROWANBP01F	5 PCS	FLOOR LEVELER BLACK

**PLEASE NOTE:**

- TABLE WILL REQUIRE 2 PERSONS TO ASSEMBLE
- IT MAY BE NECESSARY TO PERIODICALLY TIGHTEN THE TABLE IF NECESSARY.
- BECAUSE OF THE TABLE WEIGHT, THE TOP WILL NEED TO BE REMOVED FROM THE PEDESTAL COLUMN BEFORE ATTEMPTING TO MOVE.

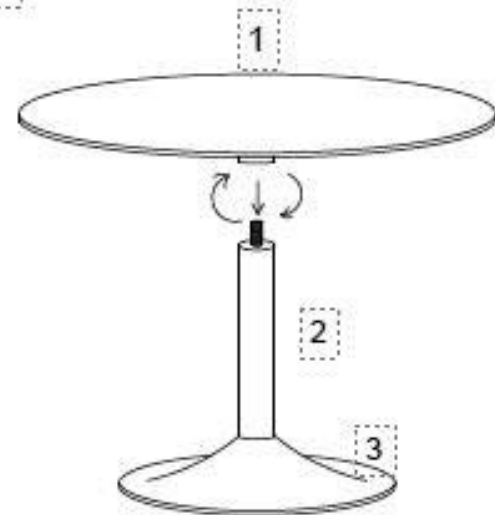
**STEP 1 :**

ATTACH THE PEDESTAL COLUMN TO THE BASE BY SCREWING IT TOGETHER AS SHOWN. TIGHTEN COMPLETELY.



**STEP 2 :**

CAREFULLY PLACE THE TABLETOP ON THE THREADED SHAFT OF THE PEDESTAL COLUMN. SLOWLY ROTATE THE TABLETOP UNTIL TIGHT.



**Step 3:**

ADJUST THE LEVELERS ON THE BASE OF THE PEDESTAL IF NEEDED TO LEVEL THE TABLE

