



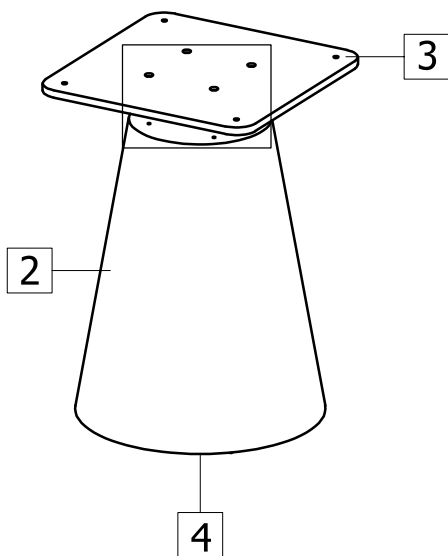


Thank you for purchasing this quality product. Be sure to check all packing material carefully for small parts that may have come loose inside the carton during shipment.

Parts key				Hardware kit - 2271-NASH50TW			
No	Code	Qty	Description	No	Description		Qty
1	2271-NASH50TW	1 pc	Top	A	 Bolt	M8x35	8 pcs
2	2271-NASH50BW	1 pc	Pedestal Base	B	 Lock washer	M8	8 pcs
3	2271-P29	1 pc	Mounting Platel	C	 Flat washer	M8x18	8 pcs
4	2271P01F	8 pcs	Floor Glide	D	 Allen Key	K4	1 pc

**PLEASE NOTE:** Assembly requires two people. Follow directions step by step.  
Do not use power tools to assemble.

**Step:01** - Align the mounting plate on the pedestal base and secure with a bolt, locker washer and flat washer.



**Step:02** - With help from the second person, align the top on the mounting plate. Attach the top to the mounting plate and secure with a bolt, lock washer and flat washer.

