



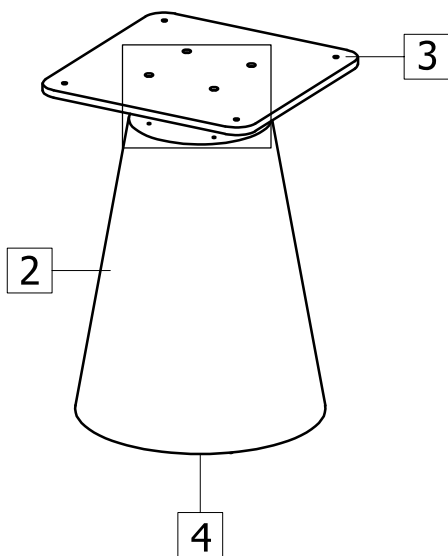


Thank you for purchasing this quality product. Be sure to check all packing material carefully for small parts that may have come loose inside the carton during shipment.

| Parts key | | | | Hardware kit - 2271-NASH50TW | | | |
|-----------|---------------|-------|-----------------|------------------------------|---|-------|-------|
| No | Code | Qty | Description | No | Description | | Qty |
| 1 | 2271-NASH50TW | 1 pc | Top | A |  Bolt | M8x35 | 8 pcs |
| 2 | 2271-NASH50BW | 1 pc | Pedestal Base | B |  Lock washer | M8 | 8 pcs |
| 3 | 2271-P29 | 1 pc | Mounting Platel | C |  Flat washer | M8x18 | 8 pcs |
| 4 | 2271P01F | 8 pcs | Floor Glide | D |  Allen Key | K4 | 1 pc |

PLEASE NOTE: Assembly requires two people. Follow directions step by step.
Do not use power tools to assemble.

Step:01 - Align the mounting plate on the pedestal base and secure with a bolt, locker washer and flat washer.



Step:02 - With help from the second person, align the top on the mounting plate. Attach the top to the mounting plate and secure with a bolt, lock washer and flat washer.

