





**Thank you for purchasing this quality product. Be sure to check all packing material carefully for small parts that may have come loose inside the carton during shipment.**

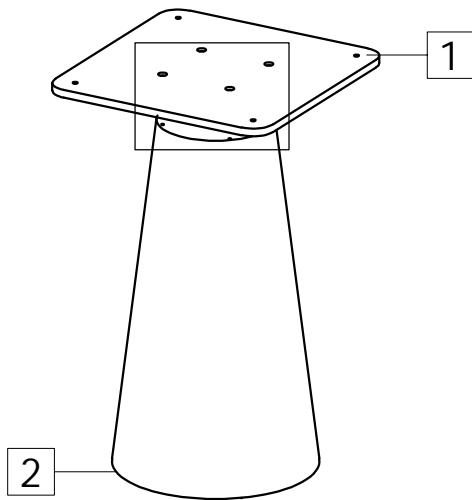
Parts key			
No	Code	Qty	Description
1	NASH454BLKP29	1 Pc	Mounting plate
2	2271-NASHP01F	8 Pcs	Floor glide

Table Hardware - 2271-NASH45TBLK				
No	Description			Qty
A		Bolt	M8x35	8 Pcs
B		Lock washer	M8	8 Pcs
C		Flat washer	M8x18	8 Pcs
D		Allen Key	K4	1 Pc

**PLEASE NOTE:** Assembly requires two people. Follow directions step by step. Do not use power tools to assemble.

Step: 01

- Align the mounting plate on the pedestal base and secure with a bolt, locker washer and flat washer.



Step: 02

- With help from the second person, align the top on the mounting plate. Attach the top to the mounting plate and secure with a bolt, lock washer and flat washer.

