



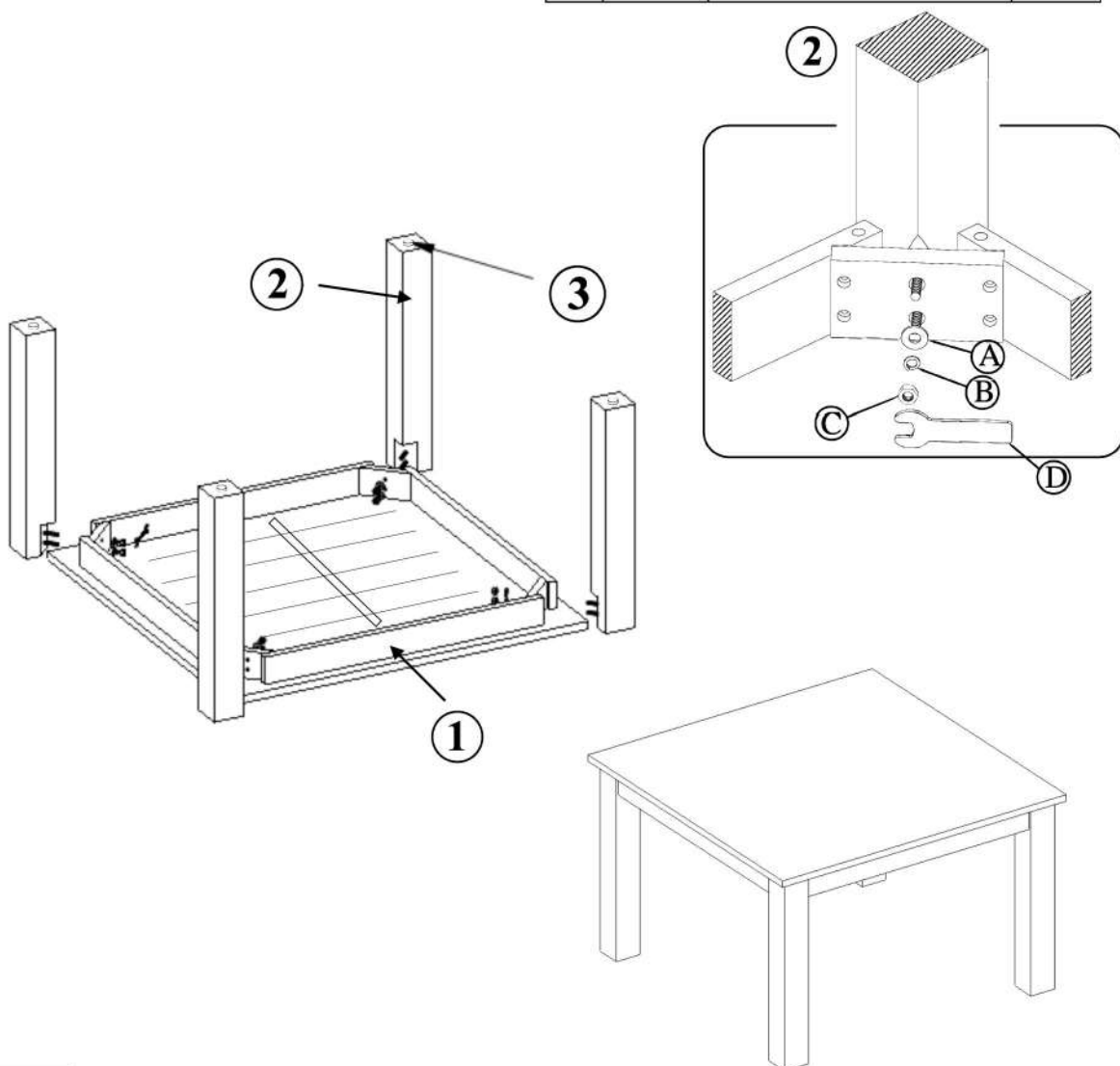
furnishing better  
lives together

## ASSEMBLY INSTRUCTIONS & PARTS IDENTIFICATION MODEL # 2271-COLBYCTN COUNTER HEIGHT TABLE

Thank you for purchasing this quality product. Be sure to check all packing material carefully for small parts that may have come loose inside the carton during shipment

Key Parts			
No	Code	Qty	Description
1		1 pc	Table Top
2	2271-COLBYCTNP02	4 pcs	Table Leg
3	2271-COLBYP01F	4 pcs	Floor Glide

Hardware kit 2271-COLBYCTNP01			
No		Description	Qty
A		Flat washer	8 pcs
B		Lock washer	8 pcs
C		Nut ØM8	8 pcs
D		Wrench	1 pc



### STEP 1

- Carefully lay Table Top upside down on a smooth flat surface to prevent scratches.
- Attach each Leg to each corner of the Table Top as shown in illustration. Insert a Flat Washer, Lock Washer and Nut on to the insert nut of each Leg
- Once all Legs are in place, fully tighten nuts by turning clockwise using provided Wrench until secure.

MADE IN INDIA

# ASSEMBLY INSTRUCTIONS & PARTS IDENTIFICATION

## 2271-OWENSTDBN

### DARK BROWN

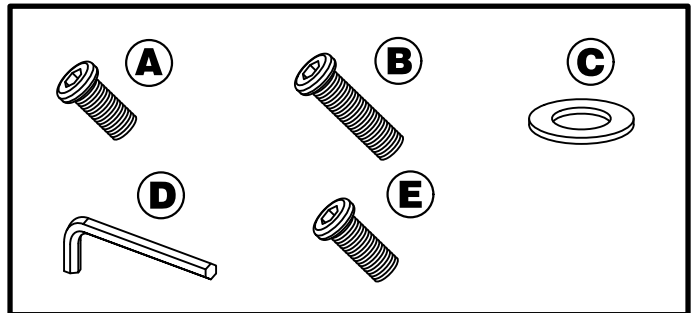
# JOFRAN INC.

#### Hardware kit (2271-OWENSTP46)

Ltr	Qty	Description
A	9PCS.	BOLT ØM6X16MM
B	4PCS.	BOLT ØM6X28MM
C	4PCS.	FLAT WASHER
D	1PC	ALLEN WRENCH
E	4PCS.	BOLT ØM6X20MM

#### Parts Key

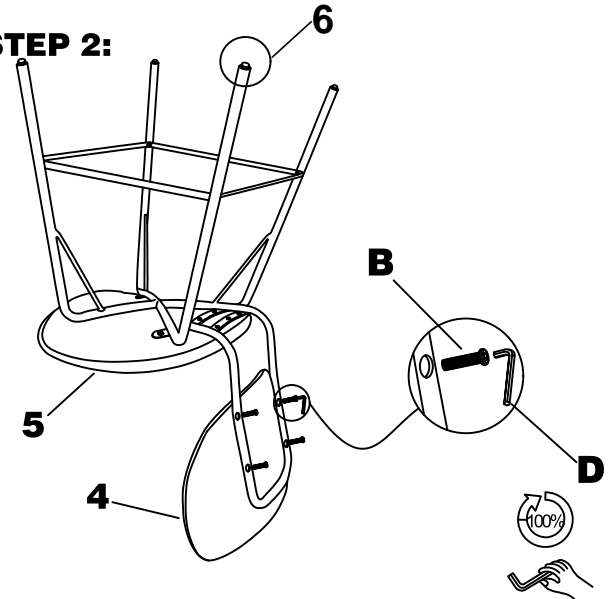
No	Code	Qty	Description
1	2271-OWENSTP42B	1PC	LEG ASSEMBLY
2	2271-OWENSTP40	1PC	BACK FRAME
3	2271-OWENSTP49	1PC	FOOTREST
4	2271OWENSTDBNP40C	1PC	BACK CUSHION
5	2271OWENSTDBNP41C	1PC	SEAT CUSHION
6	2271-OWENP01L	4PC	LEVELER



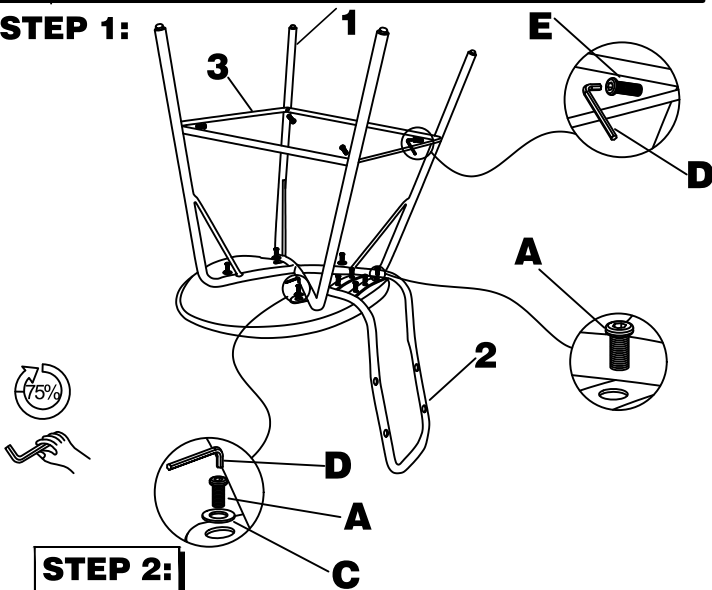
#### STEP 1:

- . Attach the leg assembly to the seat by inserting a flat washer and short bolt A per the diagram.
- . Attach the backrest frame to the seat by inserting short bolt A per the diagram.
- . Attach the footrest to the leg by inserting medium bolt E per the diagram.
- . Do not fully tighten at this point.

#### STEP 2:



#### STEP 1:



#### STEP 2:

- . Attach the backrest to the backrest frame by inserting long bolt B per the diagram.
- . Do not fully tighten the bolts until all are in place.
- . Once all bolts are in place, fully tighten the bolts by hand using the provided Allen Wrench. DO NOT use a power tool to tighten.
- . Use the floor levelers to level the chair, if needed.

#### \*\*\* FABRIC CARE:

Avoid direct sunlight, water, oil, acid, sharp objects etc.  
 Use vacuum cleaner to clean. Wipe spills immediately.  
 If needed, spot clean with a mild water-based soap.  
 Fabric content 100% Polyurethane, Cleaning Code W

