



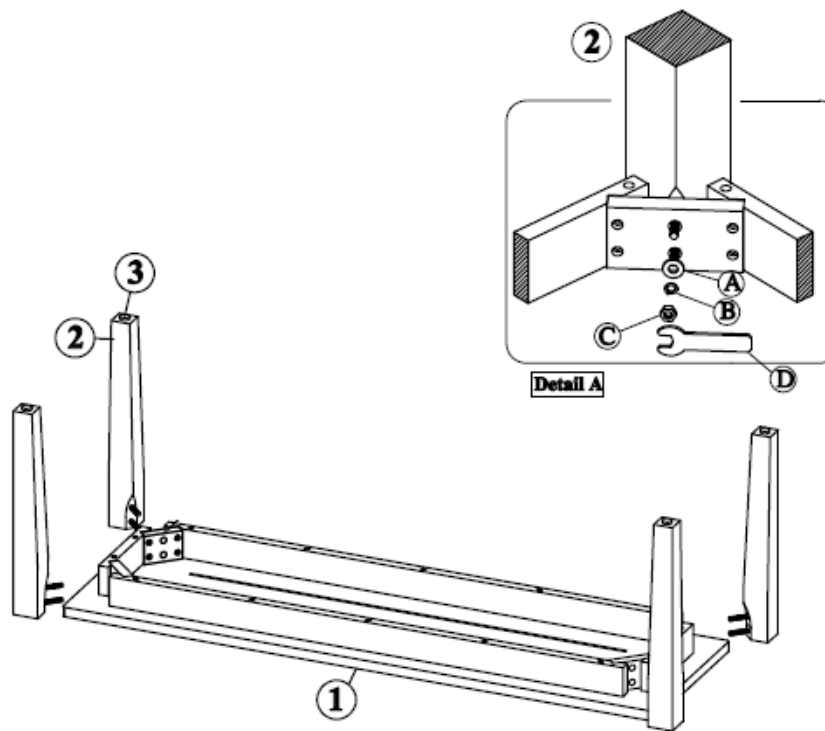


Thank you for purchasing this quality product. Be sure to check all packing material carefully for small parts that may have come loose inside the carton during shipment .

Parts			
No	Code	QTY	Description
1		1 Ps	Bench Seat
2	2271-COLBYBNNP42	4 Pcs	Bench Leg
3	2271-COLBYP01F	4 Pcs	Floor Glide

Hardware Kit 2271- COLBYBNNP46			
No		Código	QTY
A		Flat Washer	8 Pcs
B		Lock Washer	8 Pcs
C		Nut	8 Pcs
D		Key Wrench	1 Pc



STEP 1

- Carefully lay Table Top upside down on a smooth flat surface to prevent scratches.
- Attach each Leg to each corner of the Table Top as shown in illustration. Insert a Flat Washer, Lock Washer and Nut on to the insert nut of each Leg
- Once all Legs are in place, fully tighten nuts by turning clockwise using provided Key Wrench until secure.