



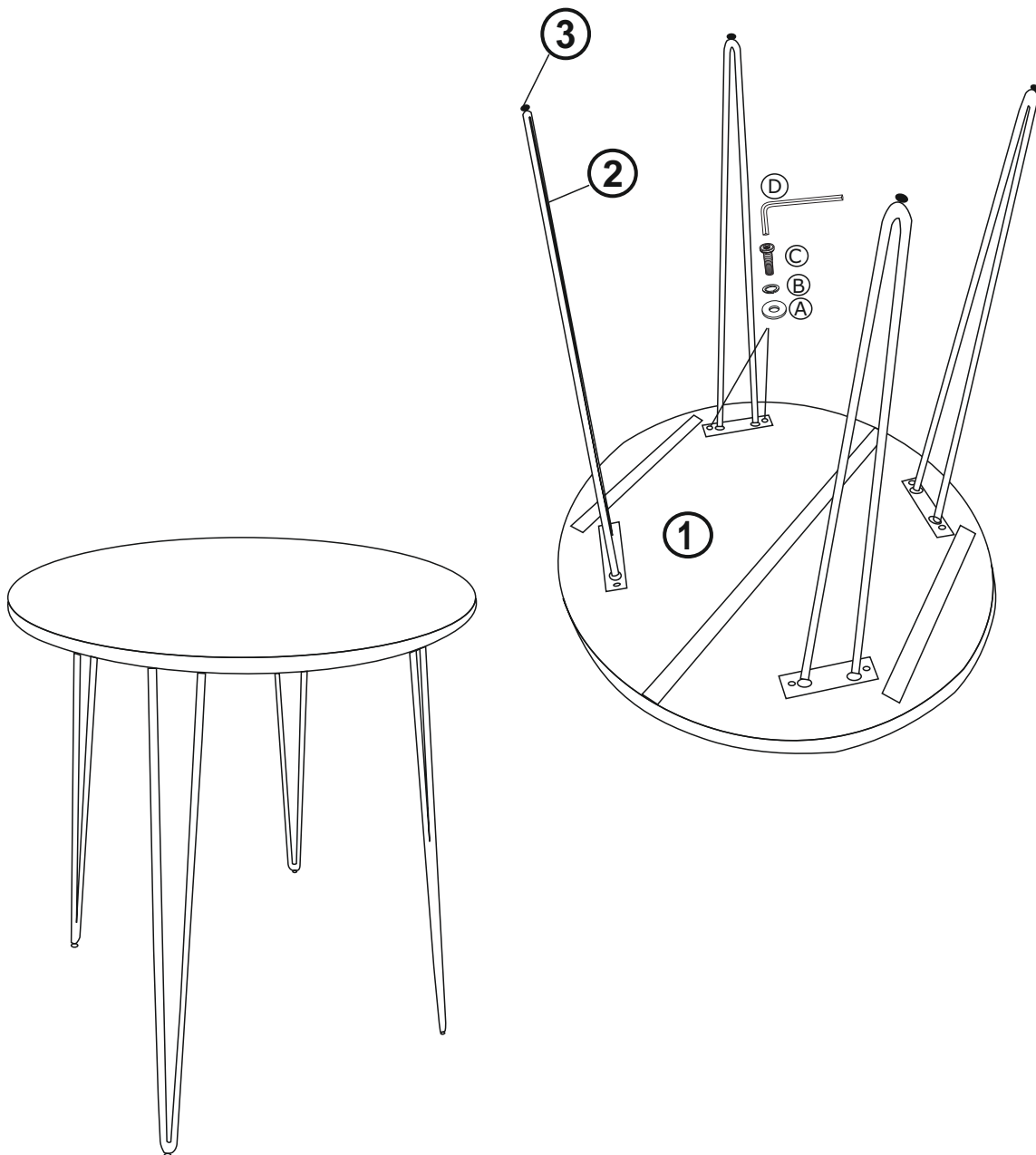


Thank you for purchasing this quality product. Be sure to check all packing material carefully for small parts that may have come loose inside the carton during shipment

KeyParts			
No	Code	Qty	Description
1	2271-BRENNANCTGP24	1 pc	Table Top
2	2271-BRENNANCTGP02	4 pcs	Leg
3	2271-BRENNANP01L	4 pcs	Floor Leveler

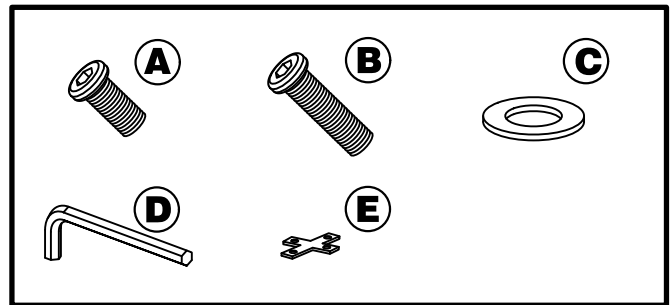
Hardware Kit (2271BRENNANP01)			
No		Description	Qty
A		Flatwasher	8 pcs
B		Lockwasher	8 pcs
C		Bolt 8x25 mm	8 pcs
D		L-Key 5 mm	1 pcs



2271-MADDOXST

Hardware kit (2271-MADDOXSTP46)

Ltr	Qty	Description
A	8PCS.	BOLT ØM6X20MM
B	4PCS.	BOLT ØM6X45MM
C	4PCS.	FLAT WASHER
D	1PC	ALLEN WRENCH
E	1PC	SUPPORT BRACKET



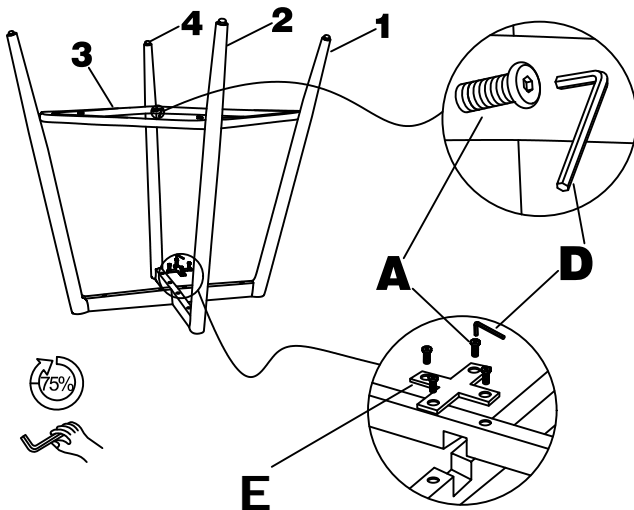
STEP 1:

- . Carefully place the upper leg and the lower leg assemblies together upside down to prevent scratches on the legs as shown in Step 1.
- . Connect the legs with the support bracket E and bolts A. Do not fully tighten at this point
- . Install footrest using bolt A.

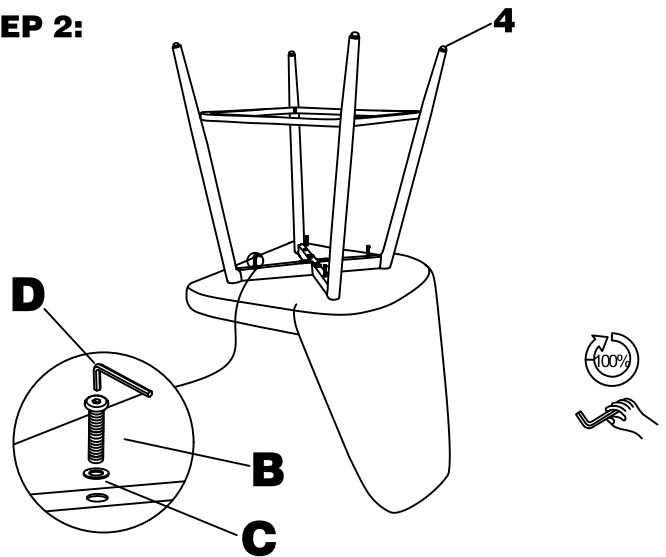
Parts Key

No	Code	Qty	Description
1	2271-MADDOXSTP43	1PC	UPPER LEG ASSEMBLY
2	2271-MADDOXSTP42	1PC	LOWER LEG ASSEMBLY
3	2271-MADDOXSTP49	1PC	FOOTREST
4	2271-MADDOXP01L	4PCS.	FLOOR LEVELER

STEP 1:



STEP 2:



STEP 2:

- . Attach the assembled legs to the seat by inserting a flat washer and bolt B per the diagram.
- . Do not fully tighten the bolts until all bolts are in place.
- . Once all bolts are in place, fully tighten the bolts by hand using the provided Allen Wrench. Do not use a power tool to tighten.
- . Use the floor levelers to level the chair, if needed.

*** FABRIC CARE:

Avoid direct sunlight ,water,oil,acid,sharp objects etc. Use a vacuum cleaner to clean. Wipe spills immediately. If needed, spot clean with a mild water-based soap. Wipe dry with a clean cloth
Fabric content 100% Polyurethane, Cleaning code W

