
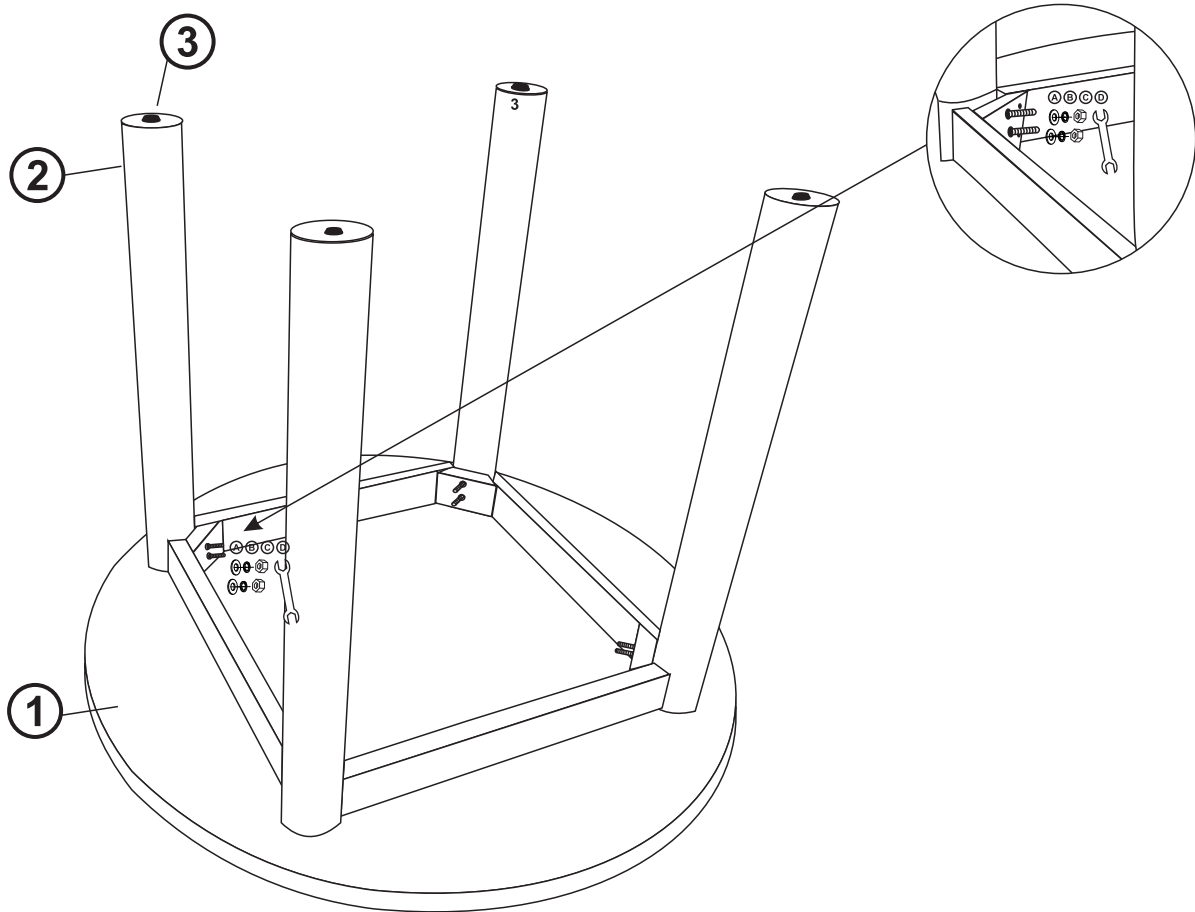


Thank you for purchasing this quality product. Be sure to check all packing material carefully for small parts that may have come loose inside the carton during shipment

KeyParts			
No	Code	Qty	Description
1		1 pc	Table Top
2		4 pcs	Legs
3	2271-BODHIRDG01F	4 pcs	Floor Glide

Hardware kit 2271-BODHIRDDG01			
No	Description		Qty
A		Flatwasher	8 pcs
B		Lockwasher	8 pcs
C		Nut 8x15mm	8 pcs
D		Wrench 15x16mm	1 pcs



- Carefully lay Table Top upside down on a smooth flat surface to prevent scratches.
- Attach each Leg to each corner of the Table Top as shown in illustration. Insert a Flat Washer, Lock Washer and Nut on to the insert nut of each Leg
- Once all Legs are in place, fully tighten nuts by turning clockwise using provided Wrench until secure.