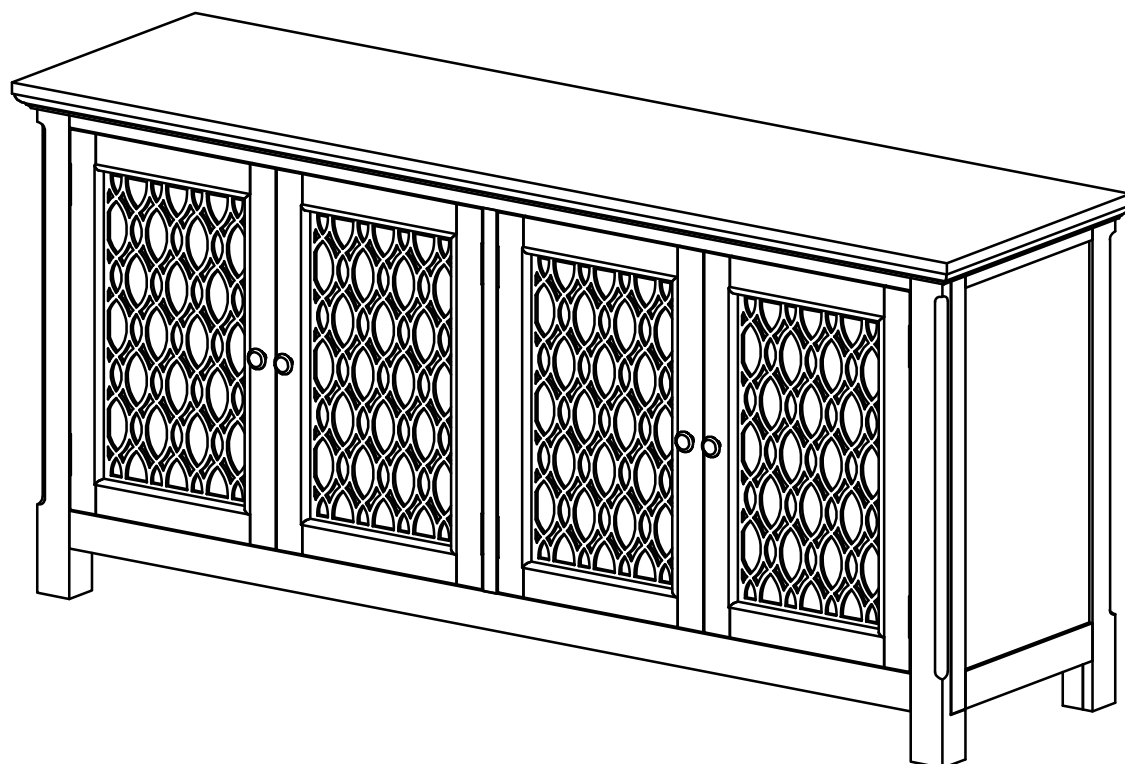


**ISABELLA 69KD" FOUR DOORS ACCENT CABINET
2250-69KD / 2251-69KD / 2252-69KD / 2253-69KD**

QR CODE TO ACCESS INSTRUCTIONAL SETUP VIDEO

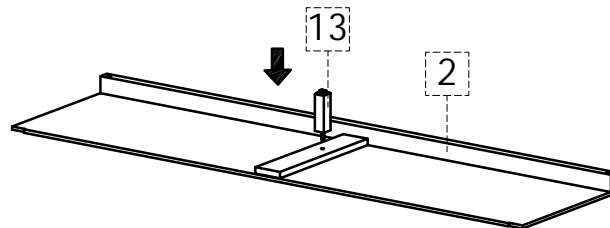


Parts key							
No	Code	Qty	Description	No	Code	Qty	Description
1	2251-69KDP54	1 pc	Top	9	2251-69KDP07L	2 pcs	Left Side Facing End Door
2	2251-69KDP51B	1 pc	Bottom Shelf	10	2251-69KDP07R	2 pcs	Right Side Facing End Door
3	2251-69KDP53	1 pc	Front Frame	11	2251P51H	4 pcs	Side Panel Hinge
4	2251-69KDP51L	1 pc	Left Side Facing Side Panel	12	2251P07H	8 pcs	Door Hinge
5	2251-69KDP51R	1 pc	Right Side Facing Side Panel	13	2251P02M	1 pc	Middle Leg
6	2251-69KDP08V	1 pc	Vertical Partition	14	2251P01L	5 pcs	Leveler
7	2251-69KDP08	2 pcs	Shelf	15	2251P01D	2 pcs	Door Catch
8	2251-69KDP38	2 pcs	Back Panel	16	2251P01AT	1 set	Anti-Tip Kit
Hardware Kit 2251-69KDP01							
No	Code	Qty	Description	No	Code	Qty	Description
17	2251P08P	8 pcs	Shelf Pin	19	2251P01S	8 pcs	Wood Screw
18	2251P04	4 pcs	Knob w/ Screw	20	2251P01WD	2 pcs	Wood Dowel

PLEASE NOTE: Assembly requires two people. Follow directions step by step.

Step:01

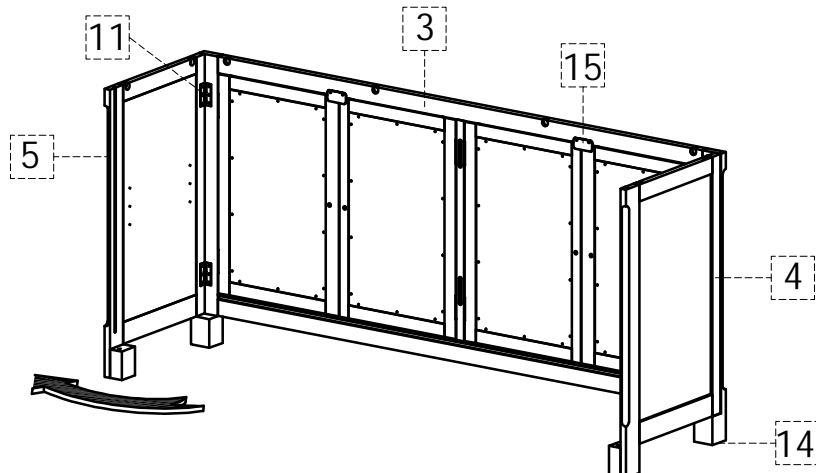
Carefully lay out all pieces on a padded surface to prevent damage. Take extra care when removing the door unit from the carton. Doors must be secured so they will not fall open.



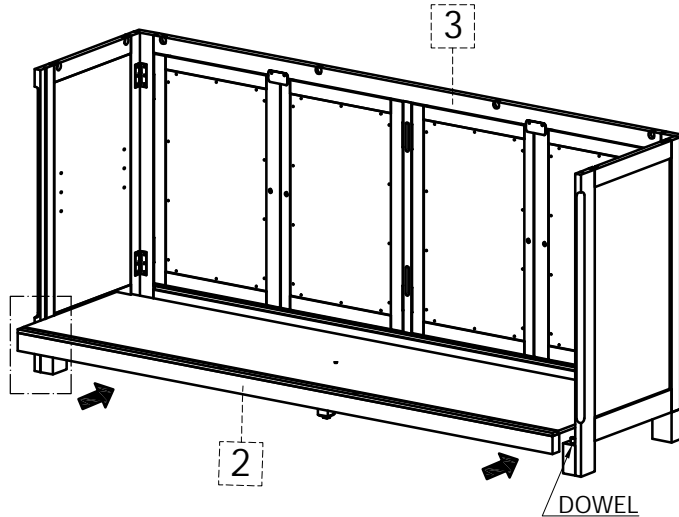
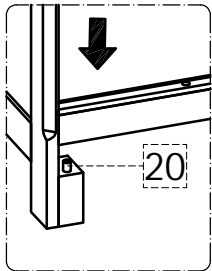
-Attach the middle support legs to the underside of the bottom shelf.

Step:02

- With the help of the second person, open the front frame assembly positioning the two side panels of the cabinet 90° perpendicular to the cabinet frame.



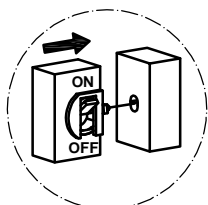
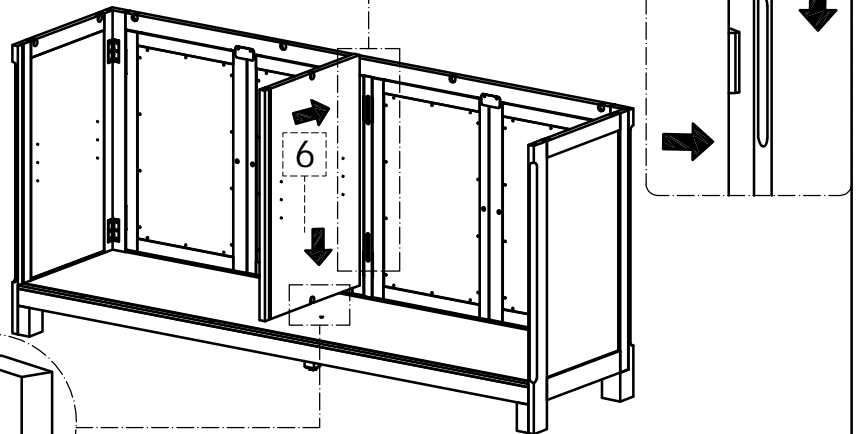
Step:03



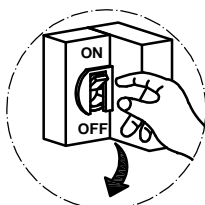
- Place the bottom shelf in position and lock the wood dowels into the receiving holes in the rear leg.

Step:04

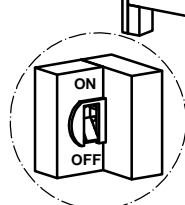
-Insert the Vertical Partition by placing the tab on the panel into the receiver on the Front Frame and gently push down to lock into place. Make sure that the locking tab is in the opened position to insert into the bottom shelf.



Tab in opened position



Pull tab down to lock

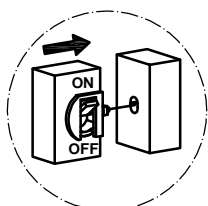
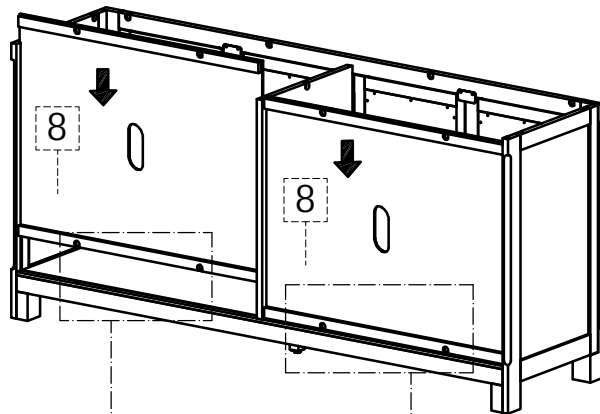


Tab in locked position

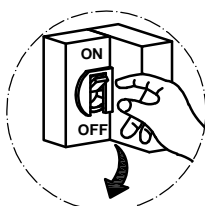
- Lock the tab (see diagram below) to secure the vertical panel to the bottom shelf

Step:05

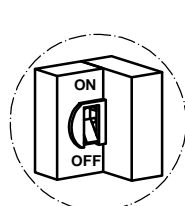
- Carefully insert the back panels into place making sure that the lock tabs are in the open position on the bottom of the back panel.
- Once in place, lock the tabs on the bottom.



Tab in opened position



Pull tab down to lock

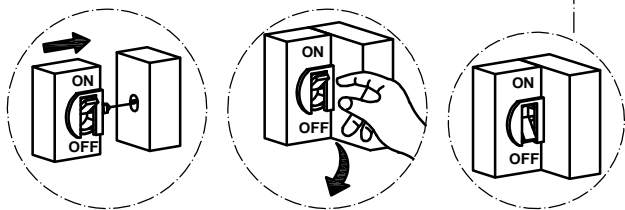


Tab in locked position

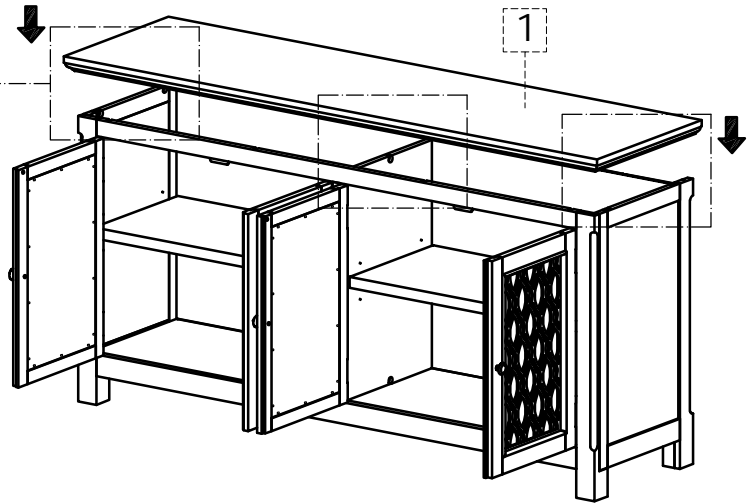
ASSEMBLY INSTRUCTIONS & PARTS IDENTIFICATION MODEL # 2251 - 69KD ISABELLA 4 DOORS ACCENT CABINET WHITE FINISH

Step:06

- Line up all the locking tabs in the open position
- With two people, carefully align the top in place making sure that the tab fits into the receiver portion on the top. Once firmly in place, lock the tabs.

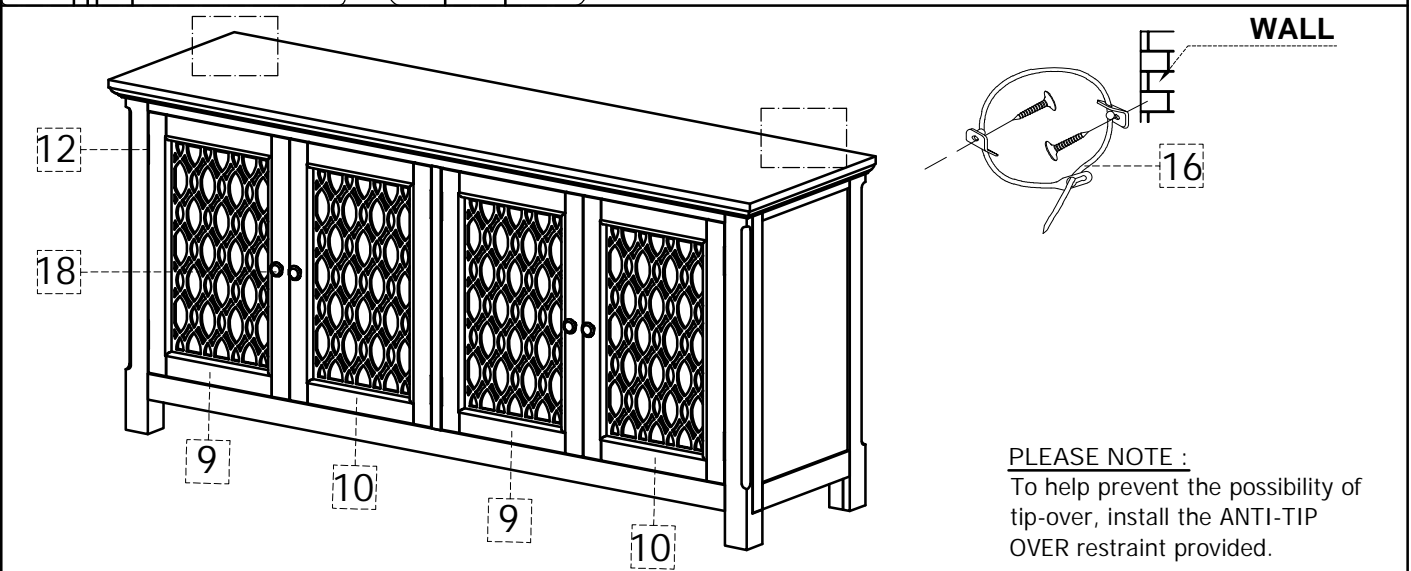
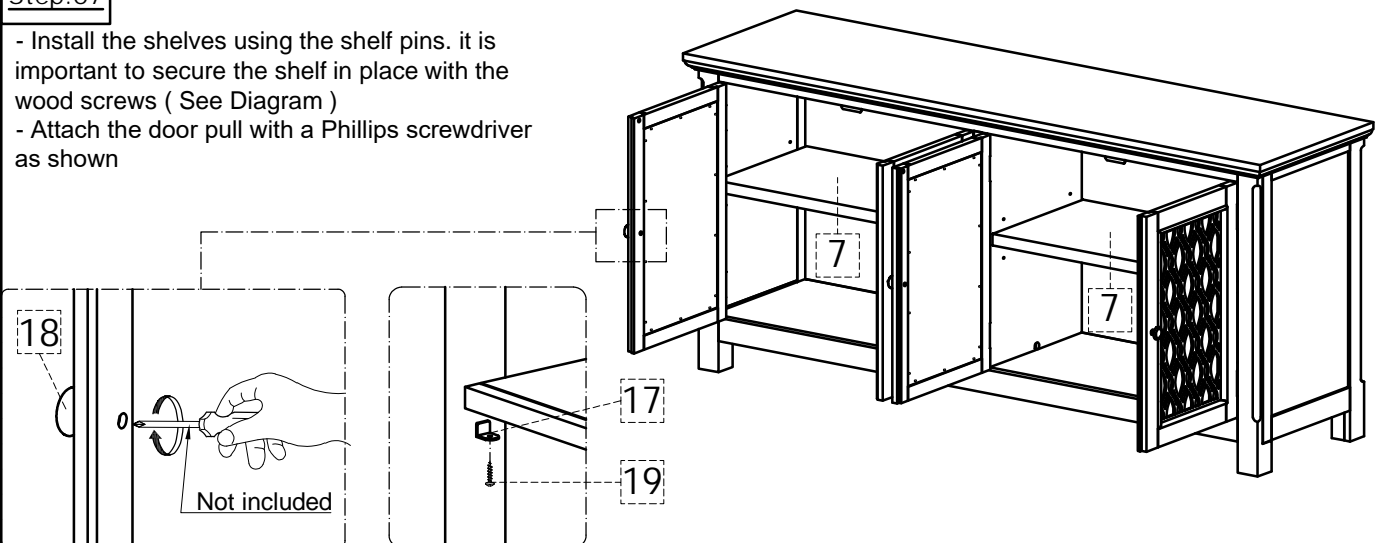


Tab in opened position Pull tab down to lock Tab in locked position



Step:07

- Install the shelves using the shelf pins. it is important to secure the shelf in place with the wood screws (See Diagram)
- Attach the door pull with a Phillips screwdriver as shown



PLEASE NOTE :
To help prevent the possibility of tip-over, install the ANTI-TIP OVER restraint provided.