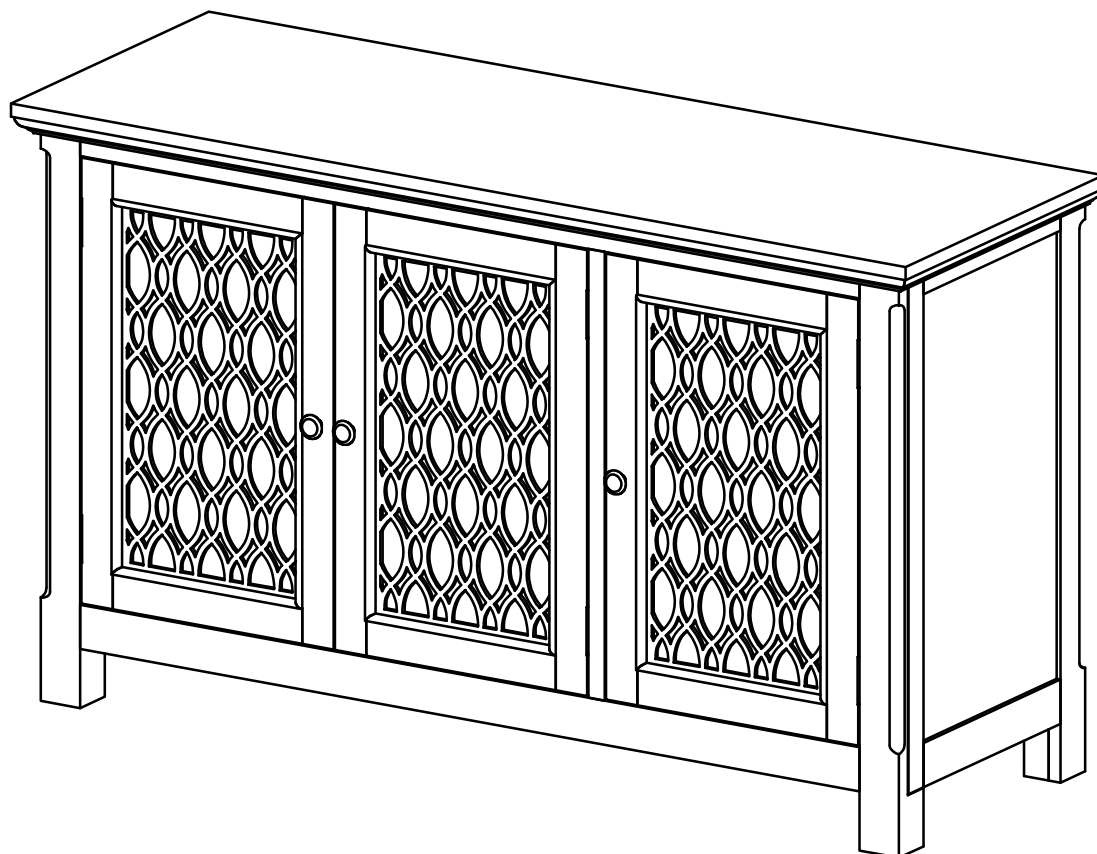


**ISABELLA 54KD" THREE DOORS ACCENT CABINET  
2250-54KD / 2251-54KD / 2252-54KD / 2253-54KD**

**QR CODE TO ACCESS INSTRUCTIONAL SETUP VIDEO**



### Parts key

No	Code	Qty	Description	No	Code	Qty	Description
1	2251-54KDP54	1 pc	Top	11	2251-54KDP07L	1 pc	Left Side Facing End Door
2	2251-54KDP51B	1 pc	Bottom Shelf	12	2251-54KDP07R	1 pc	Right Side Facing End Door
3	2251-54KDP53	1 pc	Front Frame	13	2251-54KDP07M	1 pc	Middle Door
4	2251-54KDP51L	1 pc	Left Side Facing Side Panel	14	2251P51H	4 pcs	Side Panel Hinge
5	2251-54KDP51R	1 pc	Right Side Facing Side Panel	15	2251P07H	6 pcs	Door Hinge
6	2251-54KDP08V	1 pc	Vertical Partition	16	2251P02M	1 pc	Middle Leg
7	2251-54KDP08SL	1 pc	Left Side Shelf	17	2251P01L	5 pcs	Leveler
8	2251-54KDP08SR	1 pc	Right Side Shelf	18	2251P01D	2 pcs	Door Catch
9	2251-54KDP38SL	1 pc	Left Side Back Panel	19	2251P01AT	1 set	Anti-Tip Kit
10	2251-54KDP38SR	1 pc	Right Side Back Panel				

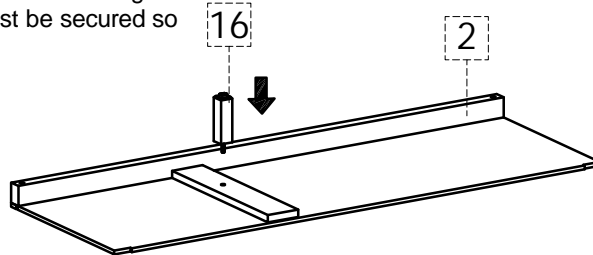
### Hardware Kit 2251-54KDP01

No	Code	Qty	Description	No	Code	Qty	Description
20	2251P08P	8 pcs	Shelf Pin	22	2251P01S	8 pcs	Wood Screw
21	2251P04	3 pcs	Knob w/ Screw	23	2251P01WD	2 pcs	Wood Dowel

**PLEASE NOTE:** Assembly requires two people. Follow directions step by step.

#### Step:01

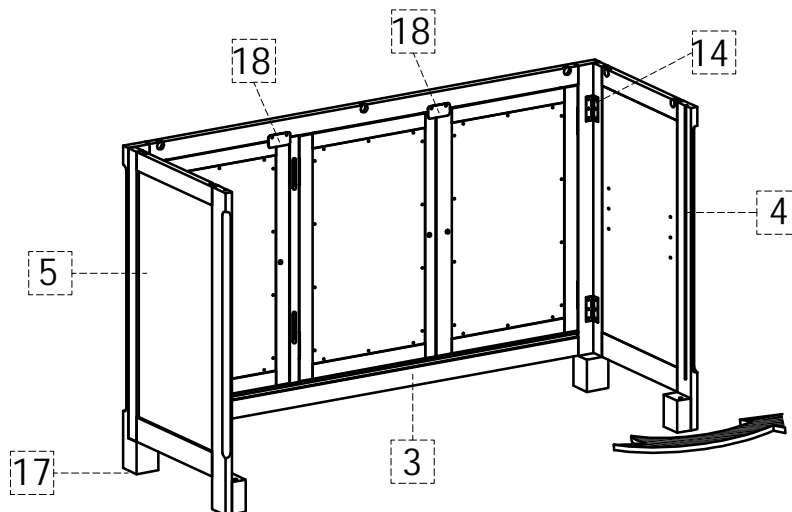
Carefully lay out all pieces on a padded surface to prevent damage. Take extra care when removing the door unit from the carton. Doors must be secured so they will not fall open.



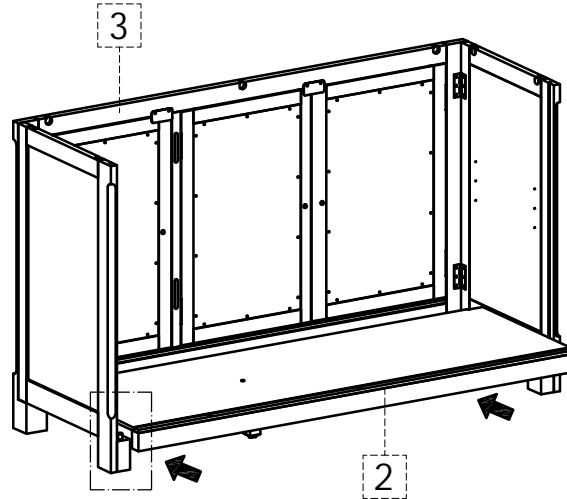
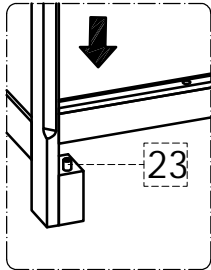
-Attach the middle support legs to the underside of the bottom shelf.

#### Step:02

- With the help of the second person, open the front frame assembly positioning the two side panels of the cabinet 90° perpendicular to the cabinet frame.



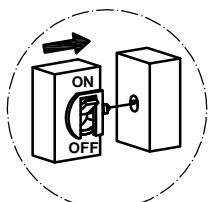
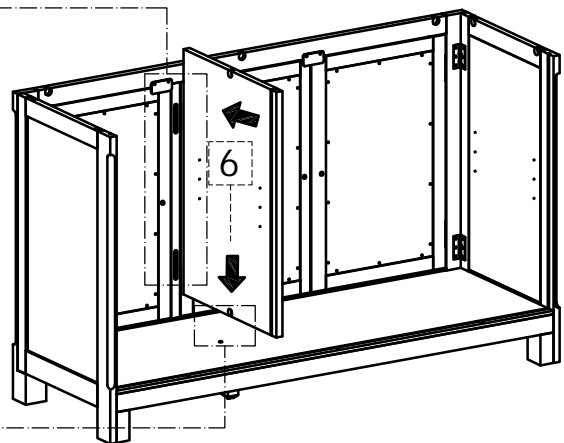
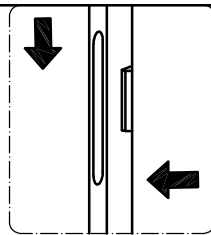
**Step:03**



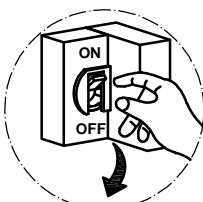
- Place the bottom shelf in position and lock the wood dowels into the receiving holes in the rear leg.

**Step:04**

- Insert the Vertical Partition by placing the tab on the panel into the receiver on the Front Frame and gently push down to lock into place. Make sure that the locking tab is in the opened position to insert into the bottom shelf.



Tab in opened position



Pull tab down to lock

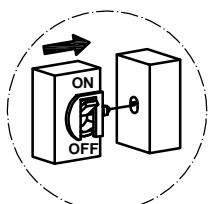


Tab in locked position

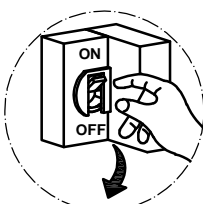
- Lock the tab ( see diagram below ) to secure the vertical panel to the bottom shelf.

**Step:05**

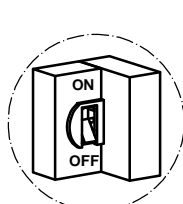
- Carefully insert the back panels into place making sure that the lock tabs are in the open position on the bottom of the back panel.  
- Once in place, lock the tabs on the bottom.



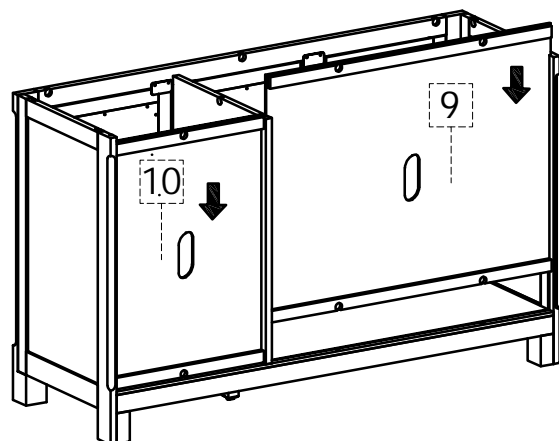
Tab in opened position



Pull tab down to lock

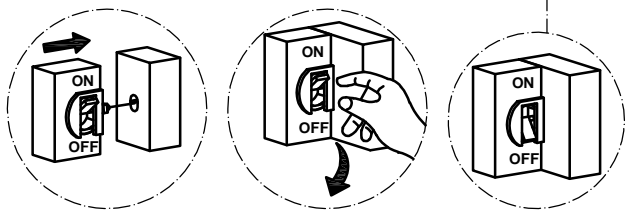


Tab in locked position

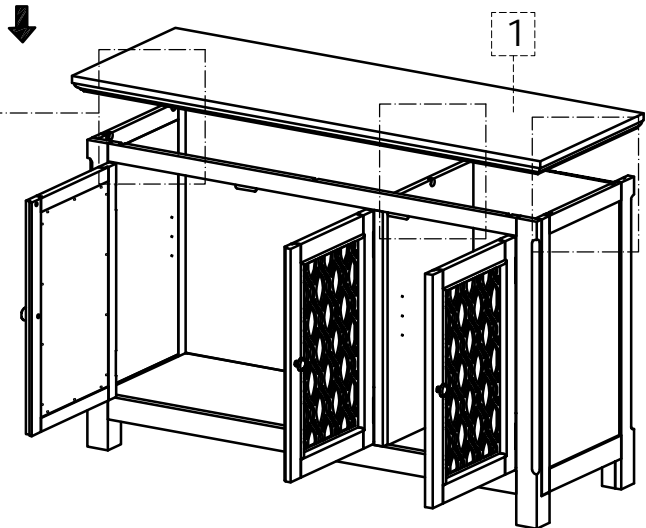


#### Step:06

- Line up all the locking tabs in the open position
- With two people, carefully align the top in place making sure that the tab fits into the receiver portion on the top. Once firmly in place, lock the tabs.

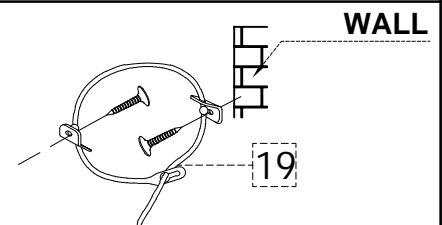
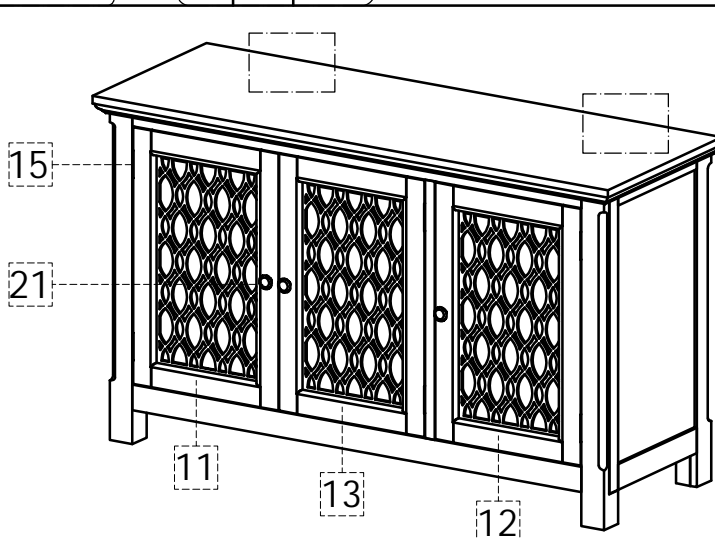
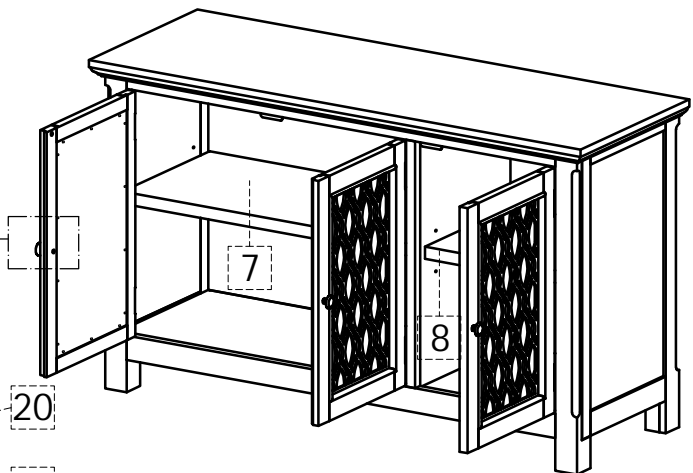
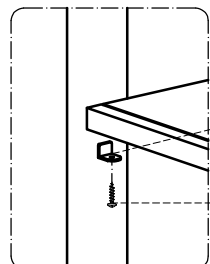
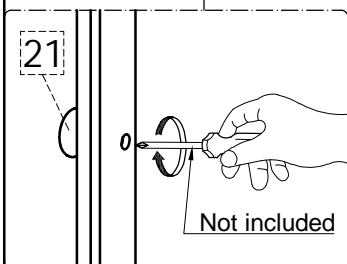


Tab in opened position    Pull tab down to lock    Tab in locked position



#### Step:07

- Install the shelves using the shelf pins. it is important to secure the shelf in place with the wood screws ( See Diagram )
- Attach the door pull with a Phillips screwdriver as shown



**PLEASE NOTE :**  
To help prevent the possibility of tip-over, install the ANTI-TIP OVER restraint provided.