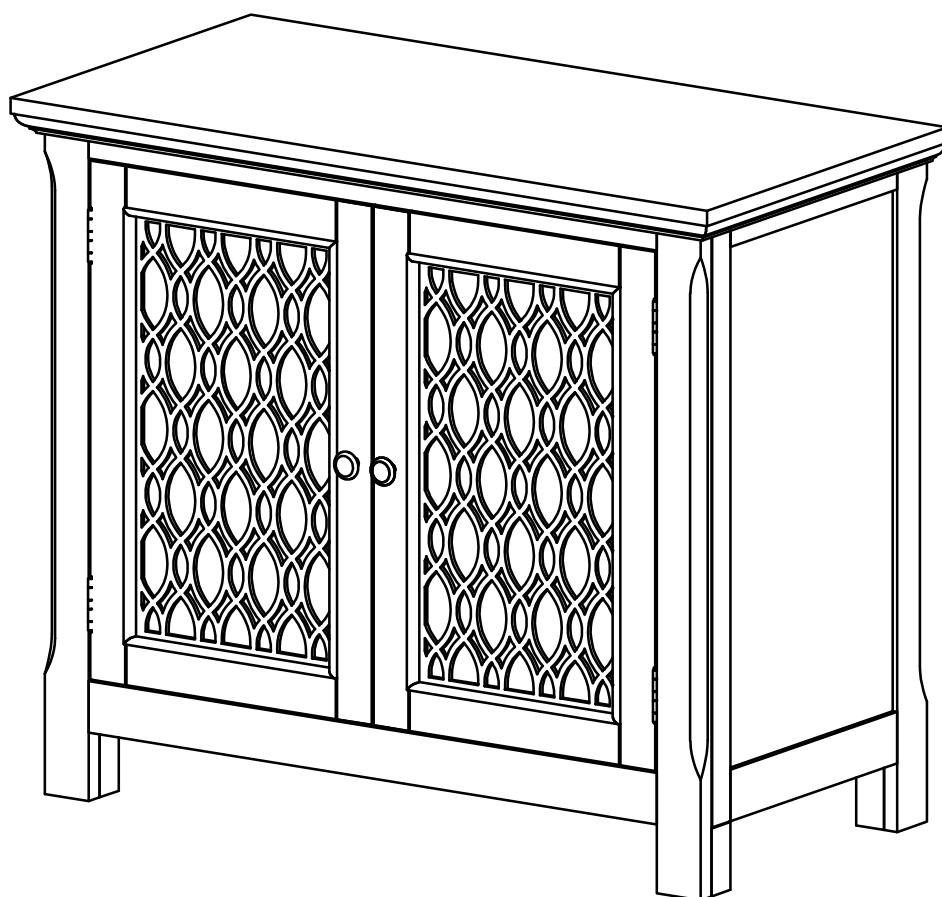


ISABELLA 38KD" TWO DOORS ACCENT CABINET
2250-38KD / 2251-38KD / 2252-38KD / 2253-38KD

QR CODE TO ACCESS INSTRUCTIONAL SETUP VIDEO

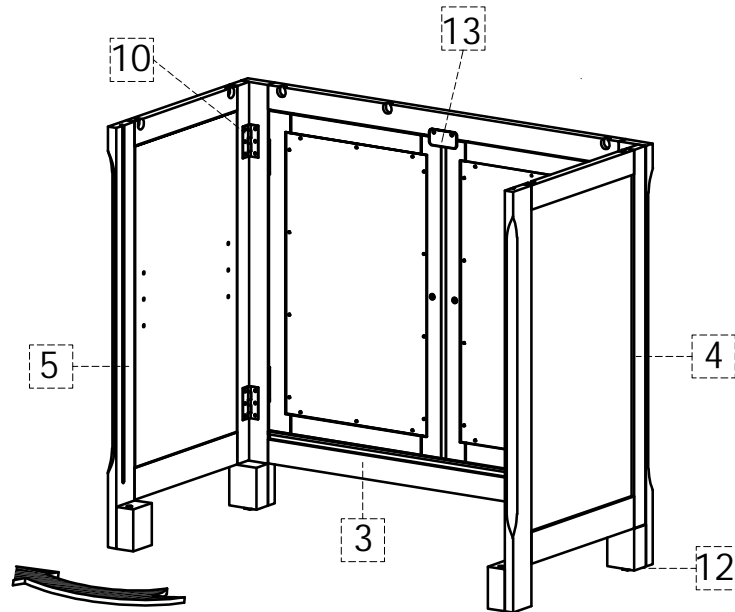


Parts key							
No	Code	Qty	Description	No	Code	Qty	Description
1	2250-38KDP54	1 pc	Top	8	2250-38KDP07L	1 pc	Left Side Facing Door
2	2250-38KDP51B	1 pc	Bottom Shelf	9	2250-38KDP07R	1 pc	Right Side Facing Door
3	2250-38KDP53	1 pc	Front Frame	10	2250P51H	4 pcs	Side Panel Hinge
4	2250-38KDP51L	1 pc	Left Side Facing Side Panel	11	2250P07H	4 pcs	Door Hinge
5	2250-38KDP51R	1 pc	Right Side Facing Side Panel	12	2250P01L	4 pcs	Leveler
6	2250-38KDP08	1 pc	Shelf	13	2250P01D	1 pc	Door Catch
7	2250-38KDP38	1 pc	Back Panel	14	2250P01AT	1 set	Anti-Tip Kit
Hardware Kit 2250-38KDP01							
No	Code	Qty	Description	No	Code	Qty	Description
15	2250P08P	4 pcs	Shelf Pin	17	2250P01S	4 pcs	Wood Screw
16	2250P04	2 pcs	Knob w/ Screw	18	2250P01WD	2 pcs	Wood Dowel

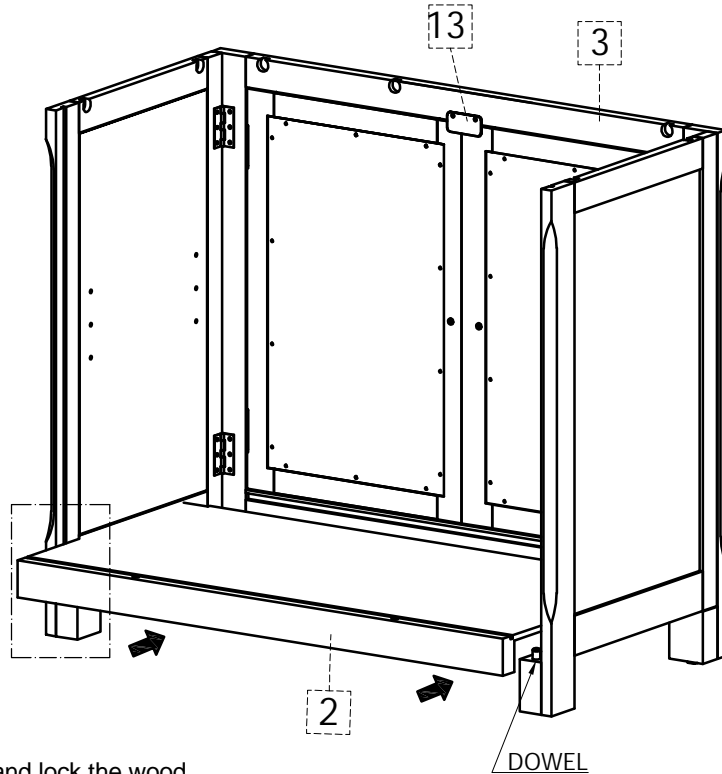
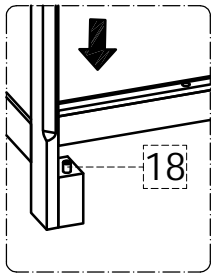
PLEASE NOTE: Assembly requires two people. Follow directions step by step.

Step:01

- With the help of the second person, open the front frame assembly positioning the two side panels of the cabinet 90° perpendicular to the cabinet frame.



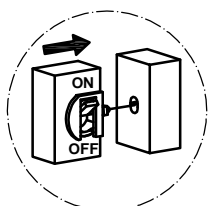
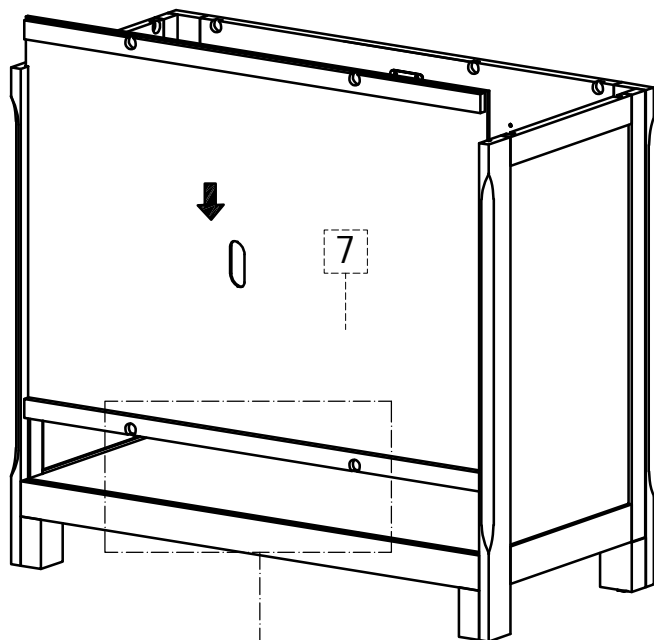
Step:02



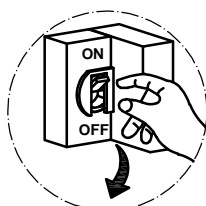
- Place the bottom shelf in position and lock the wood dowels into the receiving holes in the rear leg.

Step:03

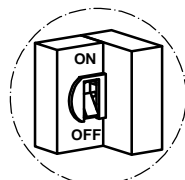
- Carefully insert the back panels into place making sure that the lock tabs are in the open position on the bottom of the back panel.
- Once in place, lock the tabs on the bottom.



Tab in opened position

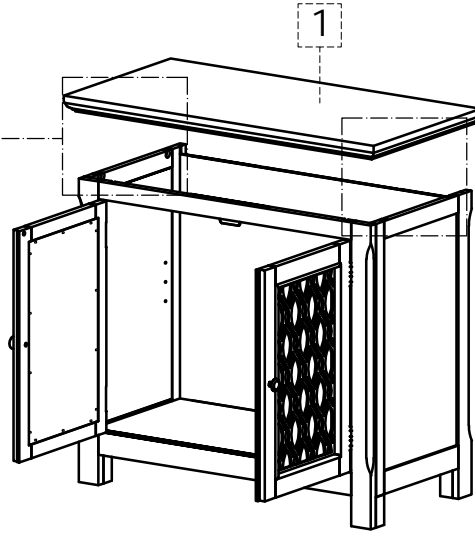
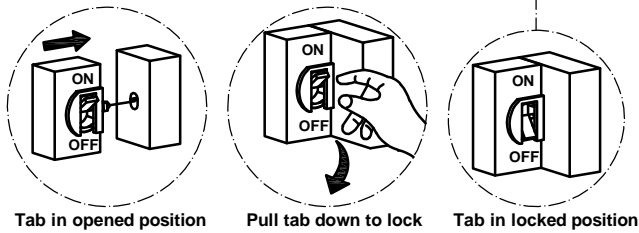


Pull tab down to lock

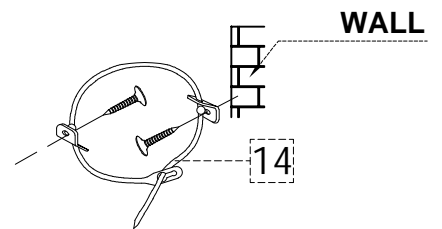
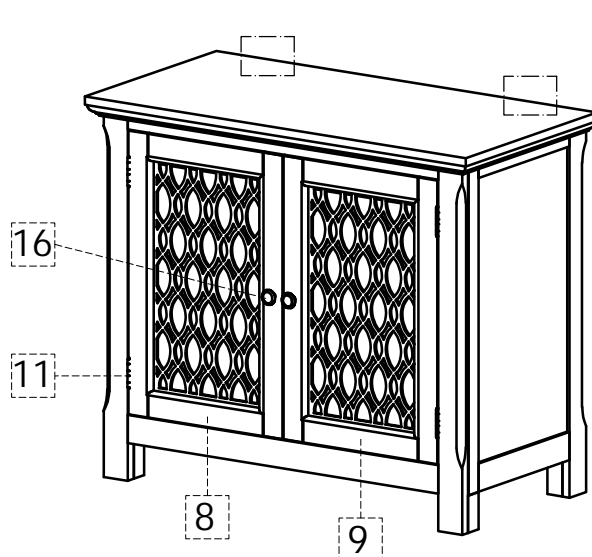
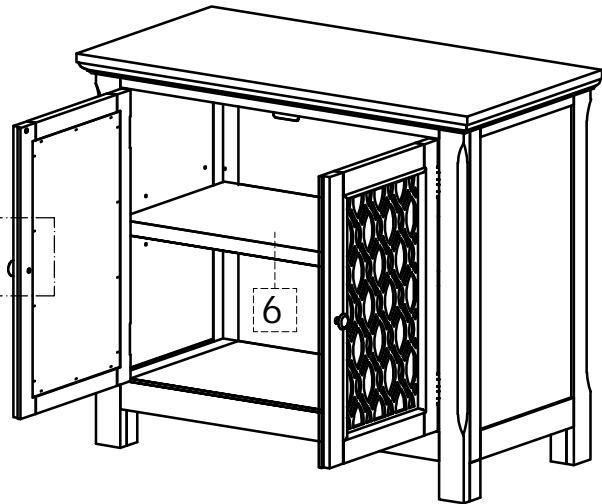
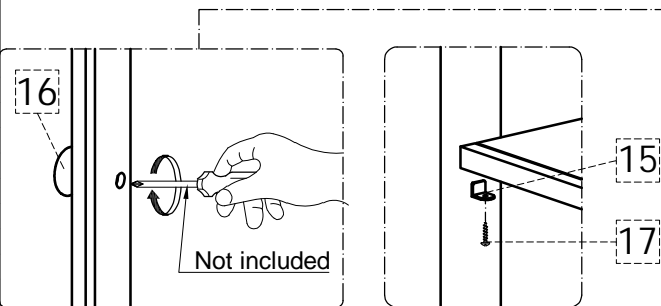


Tab in locked position

Step:04 - Line up all the locking tabs in the open position
- With two people, carefully align the top in place making sure that the tab fits into the receiver portion on the top. Once firmly in place, lock the tabs.



Step:05
- Install the shelves using the shelf pins. it is important to secure the shelf in place with the wood screws (See Diagram)
- Attach the door pull with a Phillips screwdriver as shown



PLEASE NOTE :
To help prevent the possibility of tip-over, install the ANTI-TIP OVER restraint provided.