



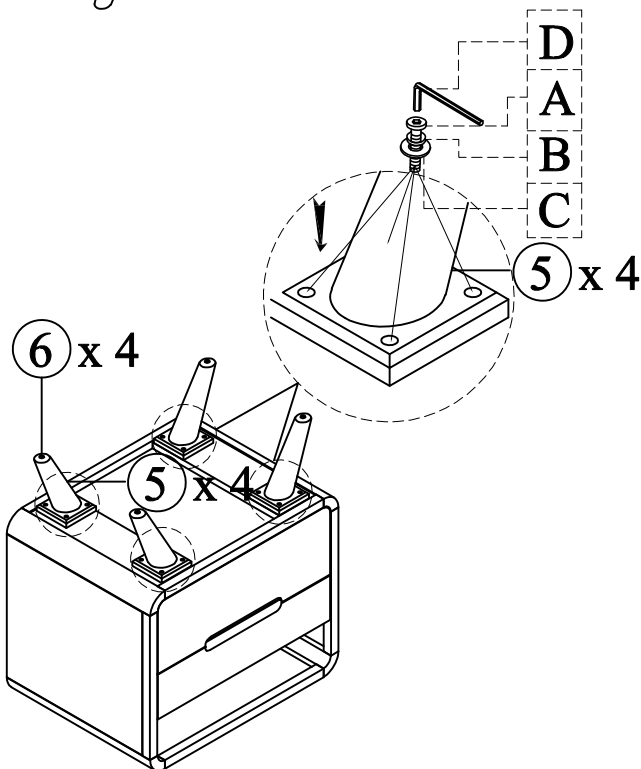
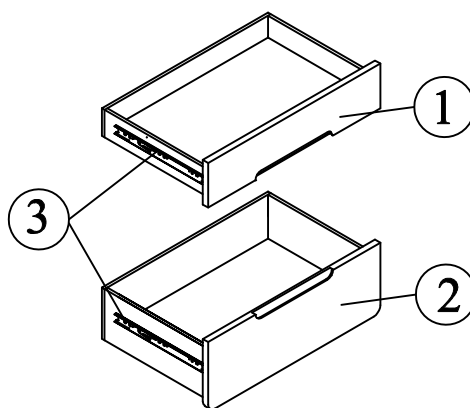
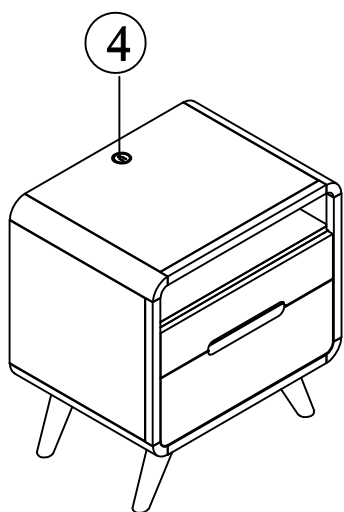


Thank you for purchasing this quality product. Be sure to check all packing material carefully for small parts that may have come loose inside the carton during shipment.

Hardware Kit #2243-90 P01			
No		Description	Qty
A		Bolt 5/16" x 1.5"	16 Pcs
B		Lock washer 5/16"	16 Pcs
C		Flat washer 5/16 x 3/4"	16 Pcs
D		Allen Key 5/32"	1Pc

Parts key			
No	Code	Qty	Description
1	2243-90P05T	1 Pc	Top Drawer
2	2243-90P05B	1 Pc	Bottom Drawer
3	2243-90P06	4 Pcs	Full Extension Glide
4	2243P01E	1 Pc	USB Outlet
5	2243-90P02	4 Pcs	Wooden legs
6	2243P01L	4 Pcs	Leveler
7	2243P01AT	1 Set	Anti tip kit



PLEASE NOTE :  
To help prevent the possibility of tip-over, install the ANTI-TIP OVER restraint provided.

