

UPHOLSTERED CHAIR WITH BISQUE LEGS

Thank you for purchasing this quality product. Be sure to check all packing material carefully for small parts that may have come loose inside the carton during shipment.

Hardware kit (2148-392KDP46)			
No		Description	Q'Ty
A		Long Bolt 1/4" x 3"	4pcs
B		Short Bolt 1/4" x 1.8"	3pcs
C		Short Bolt 1/4" x 2"	4pcs
D		Lock Washer Ø5/16"	11pcs
E		Flat Washer Ø5/16"	11pcs
F		Allen Key	1pc

Key Parts			
No	Code	Description	Q'Ty
1	2148-392KDP40	Chair Back	1 pc
2	2148-392KDP41	Complete Seat	1 pc
3	2148-392KDP42	Front Leg	2 pcs
4	2148-392KDP01F	Floor glide	4pcs

STEP 1

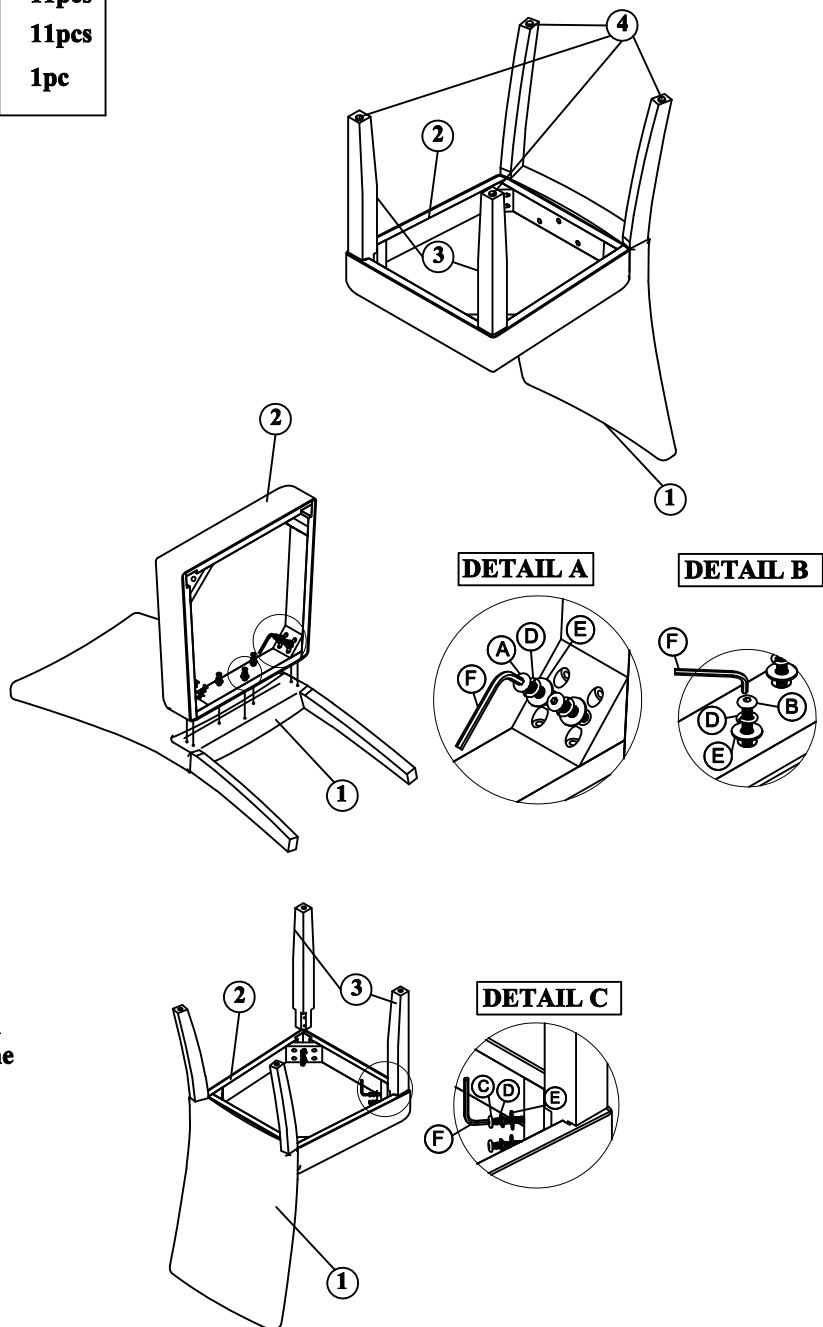
- Carefully lay Chair Back flat on a smooth flat surface to prevent scratches.
- Affix Complete Seat to Chair Back by inserting a Flat Washer(E), Lock Washer(D) and Long Bolt(A) into each of the hole on the back of the seat. Tighten screws with provided Allen Key by turning clockwise until (See Detail A)
- Insert a Flat Washer(E), Lock Washer(D) and a Short Bolt(B) into each of 2 holes in the Complete Seat corners. Tighten screws with provided Allen Key(F) . (See Detail B)

**FABRIC CONTENT : 100% POLYESTER
CLEANING CODE W**

Water-based cleaning agents or foam may be used. Never use tap water. Use distilled water, as tap water contains minerals that may cause rings or fading. Pre-test on an inconspicuous area.

STEP 2

- Carefully turn chair upside down and affix each Leg to the front corners of the Complete Seat. Place Flat Washer(E), Lock Washer(D) and Short Bolt(C) on each leg bolt, tighten screws with provided Allen Key(F) . (See Detail C).
- Be sure to level the chair prior to tightening all the nuts/screws



MADE IN VIETNAM