



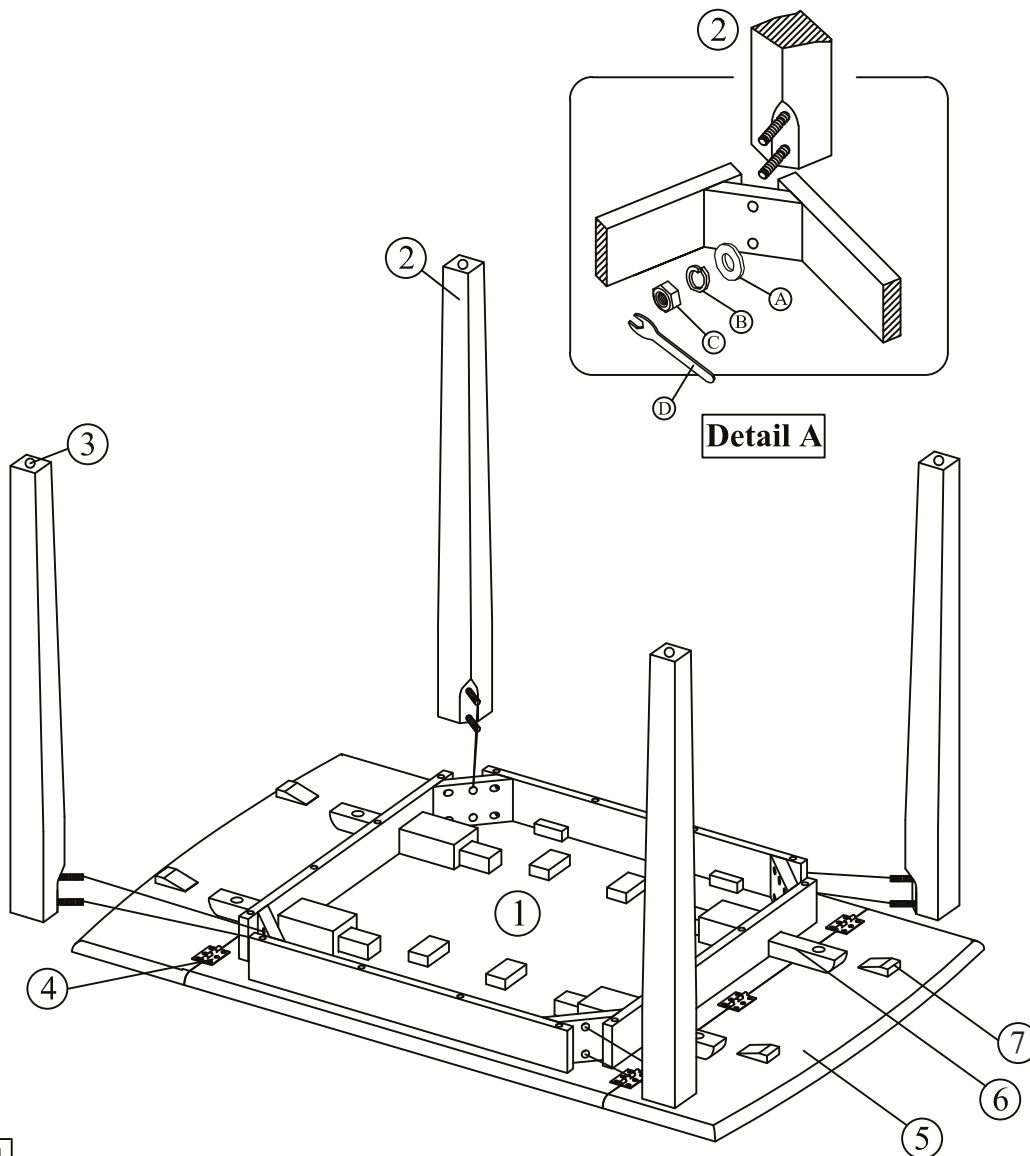


Thank you for purchasing this quality product. Be sure to check all packing material carefully for small parts that may have come loose inside the carton during shipment

Parts Key			
No	Code	Qty	Description
1	2148-30P24	1 pc	Table Top
2	2148-30P02	4pcs	Table Leg
3	2148-30P01F	4pcs	Floor Glide
4	2148-30P01H	6pcs	Hinge with Screws
5	2148-30P28	2pcs	Drop Leaf
6	2148-30P36	4pcs	Drop Leaf support
7	2148-30P36W	4pcs	Drop Leaf Wedge

Hardware kit (2148-30P01)			
No		Description	Qty
A		Flat washer Ø5/16"	8 pcs
B		Lock washer Ø5/16"	8 pcs
C		Nut Ø5/16"	8 pcs
D		Key wrench	1 pc



#### STEP 1

- Carefully lay Table Top upside down on a smooth flat surface to prevent scratches.
- Affix each Leg to each corner of the Table Top as shown in illustration. Insert a Flat Washer, Lock Washer and Nut on to the bolts of each Leg
- Once all Legs are in place, fully tighten nuts by turning clockwise using provided Key Wrench until secure. (See Detail A)

# ASSEMBLY INSTRUCTIONS & PARTS

## IDENTIFICATION

MODEL #2148-370KD

## EASTERN TIDES X BACK DINING CHAIR BISQUE

# jOF FRAN INC.

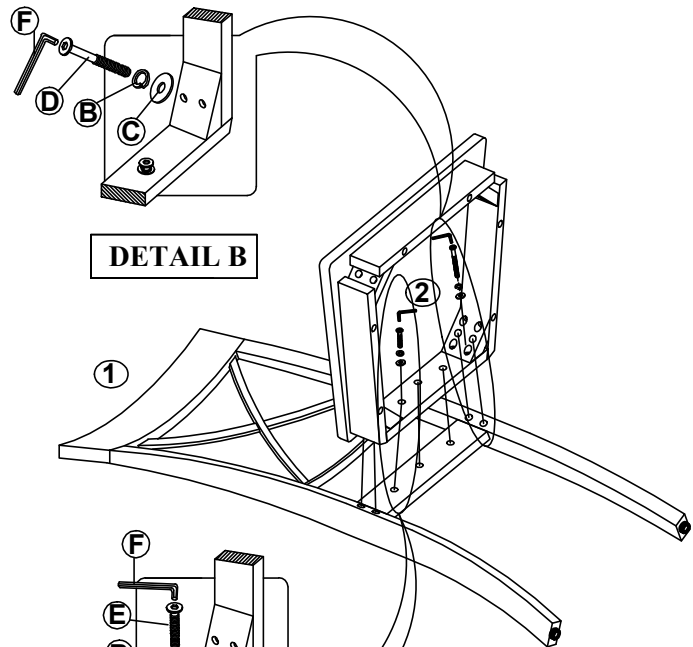
Thank you for purchasing this quality product. Be sure to check all packing material carefully for small parts that may have come loose inside the carton during shipment.

Parts Key			
No	Code	Qty	Description
1	2148-370KDP40	1 pc	Chair Back
2	2148-370KDP41	1 pc	Complete Seat
3	2148-370KDP42	2 pcs	Front Leg
4	2148-370KDP01F	4 pcs	Floor glide

Hardware kit (2148-370KDP46)			
No	Description		Qty
A		Hexa Nut 5/16"	4 pcs
B		Lock Washer 5/16"	11 pcs
C		Flat Washer 5/16"	11 pcs
D		Long Bolt 1/4"x 3"	4 pcs
E		Short Bolt 1/4"x 1.5"	3 pcs
F		Allen Key	1 pc
G		Key Wrench	1 pc

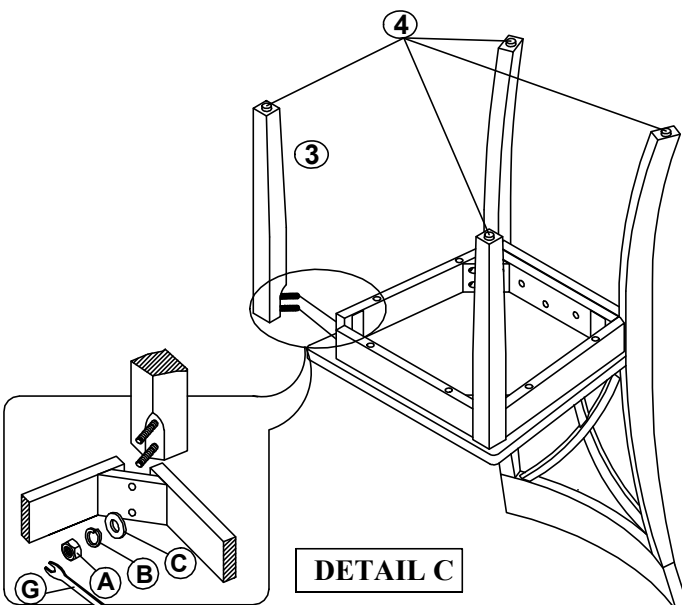
### STEP 1

- Carefully lay Chair Back flat on a smooth flat surface to prevent scratches.
- Affix Complete Seat to Chair Back by inserting a Flat Washer(C), Lock Washer(B) and Short Bolt(E) into each of the hole on the back of the seat. Tighten screws with provided Allen Key by turning clockwise until secure. (See Detail A)
- Insert a Flat Washer(C), Lock Washer(B) and Long Bolt(D) into each of 2 holes in the Complete Seat corners. Tighten screws with provided Allen Key(F). (See Detail B)



DETAIL B

DETAIL A



DETAIL C

### STEP 2

- Carefully turn chair upside down and affix each Leg to the front corners of the Complete Seat. Place Flat Washer(C), Lock Washer(B) and Nut(A) on each leg bolt, tightening the Nut on each Leg using provided Key Wrench. (See Detail C)
- Be sure to level the chair prior to tightening all the nuts/screws.