



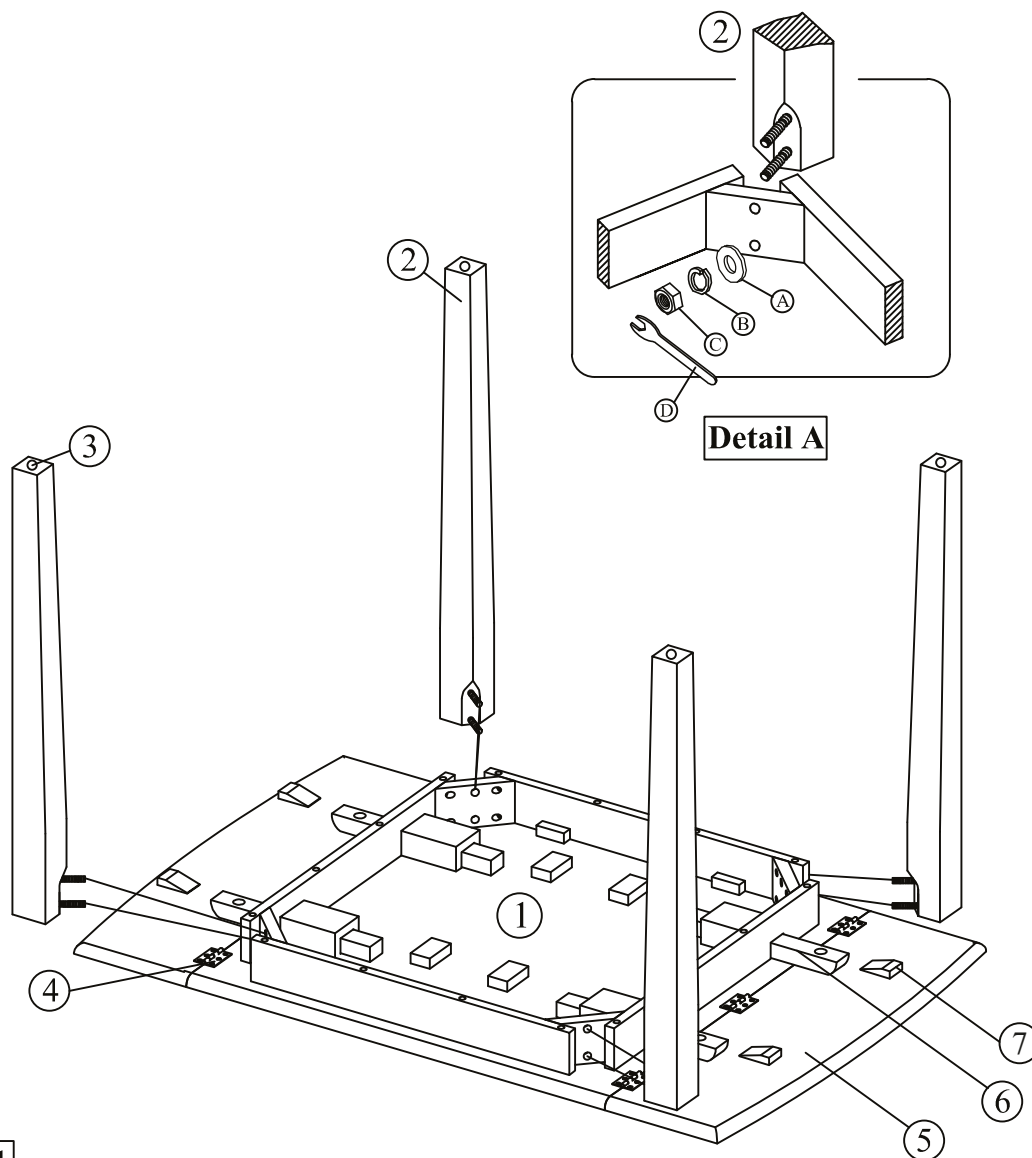


Thank you for purchasing this quality product. Be sure to check all packing material carefully for small parts that may have come loose inside the carton during shipment

Parts Key			
No	Code	Qty	Description
1	2146-48P24	1 pc	Table Top
2	2146-48P02	4pcs	Table Leg
3	2146-48P01F	4pcs	Floor Glide
4	2146-48P01H	6pcs	Hinge with Screws
5	2146-48P28	2pcs	Drop Leaf
6	2146-48P36	4pcs	Drop Leaf support
7	2146-48P36W	4pcs	Drop Leaf Wedge

Hardware kit (2146-48P01)			
No		Description	Qty
A		Flat washer Ø5/16"	8 pcs
B		Lock washer Ø5/16"	8 pcs
C		Nut Ø5/16"	8 pcs
D		Key wrench	1 pc



STEP 1

- Carefully lay Table Top upside down on a smooth flat surface to prevent scratches.
- Affix each Leg to each corner of the Table Top as shown in illustration. Insert a Flat Washer, Lock Washer and Nut on to the bolts of each Leg
- Once all Legs are in place, fully tighten nuts by turning clockwise using provided Key Wrench until secure. (See Detail A)