

ASSEMBLY INSTRUCTIONS & PARTS

IDENTIFICATION

MODEL #2146-370KD

EASTERN TIDES X BACK DINING CHAIR WHITE

jOF FRAN INC.

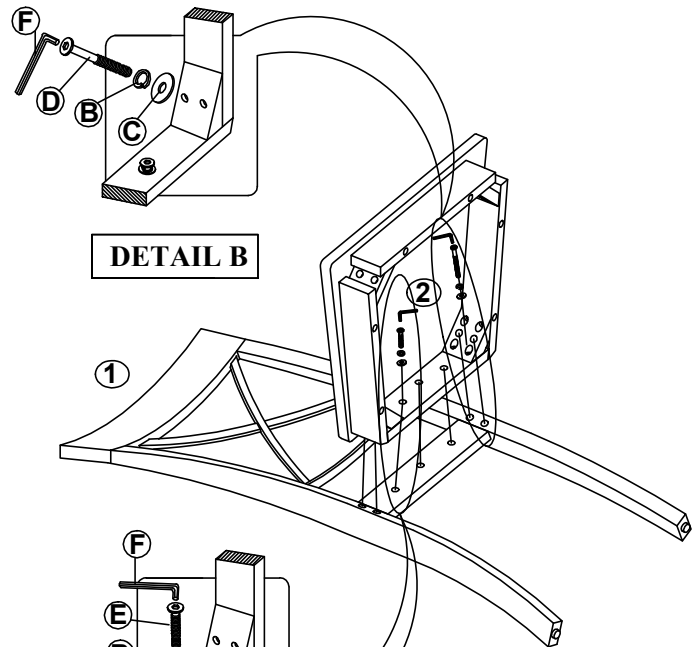
Thank you for purchasing this quality product. Be sure to check all packing material carefully for small parts that may have come loose inside the carton during shipment.

Parts Key			
No	Code	Qty	Description
1	2146-370KDP40	1 pc	Chair Back
2	2146-370KDP41	1 pc	Complete Seat
3	2146-370KDP42	2 pcs	Front Leg
4	2146-370KDP01F	4 pcs	Floor glide

Hardware kit (2146-370KDP46)			
No	Description		Qty
A		Hexa Nut 5/16"	4 pcs
B		Lock Washer 5/16"	11 pcs
C		Flat Washer 5/16"	11 pcs
D		Long Bolt 1/4" x 3"	4 pcs
E		Short Bolt 1/4" x 1.5"	3 pcs
F		Allen Key	1 pc
G		Key Wrench	1 pc

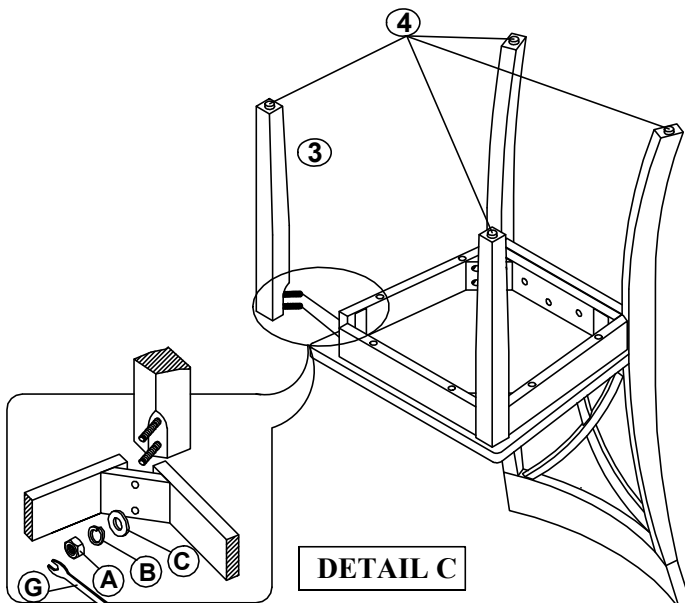
STEP 1

- Carefully lay Chair Back flat on a smooth flat surface to prevent scratches.
- Affix Complete Seat to Chair Back by inserting a Flat Washer(C), Lock Washer(B) and Short Bolt(E) into each of the hole on the back of the seat. Tighten screws with provided Allen Key by turning clockwise until secure. (See Detail A)
- Insert a Flat Washer(C), Lock Washer(B) and Long Bolt(D) into each of 2 holes in the Complete Seat corners. Tighten screws with provided Allen Key(F). (See Detail B)



DETAIL B

DETAIL A



DETAIL C

STEP 2

- Carefully turn chair upside down and affix each Leg to the front corners of the Complete Seat. Place Flat Washer(C), Lock Washer(B) and Nut(A) on each leg bolt, tightening the Nut on each Leg using provided Key Wrench. (See Detail C)
- Be sure to level the chair prior to tightening all the nuts/screws.