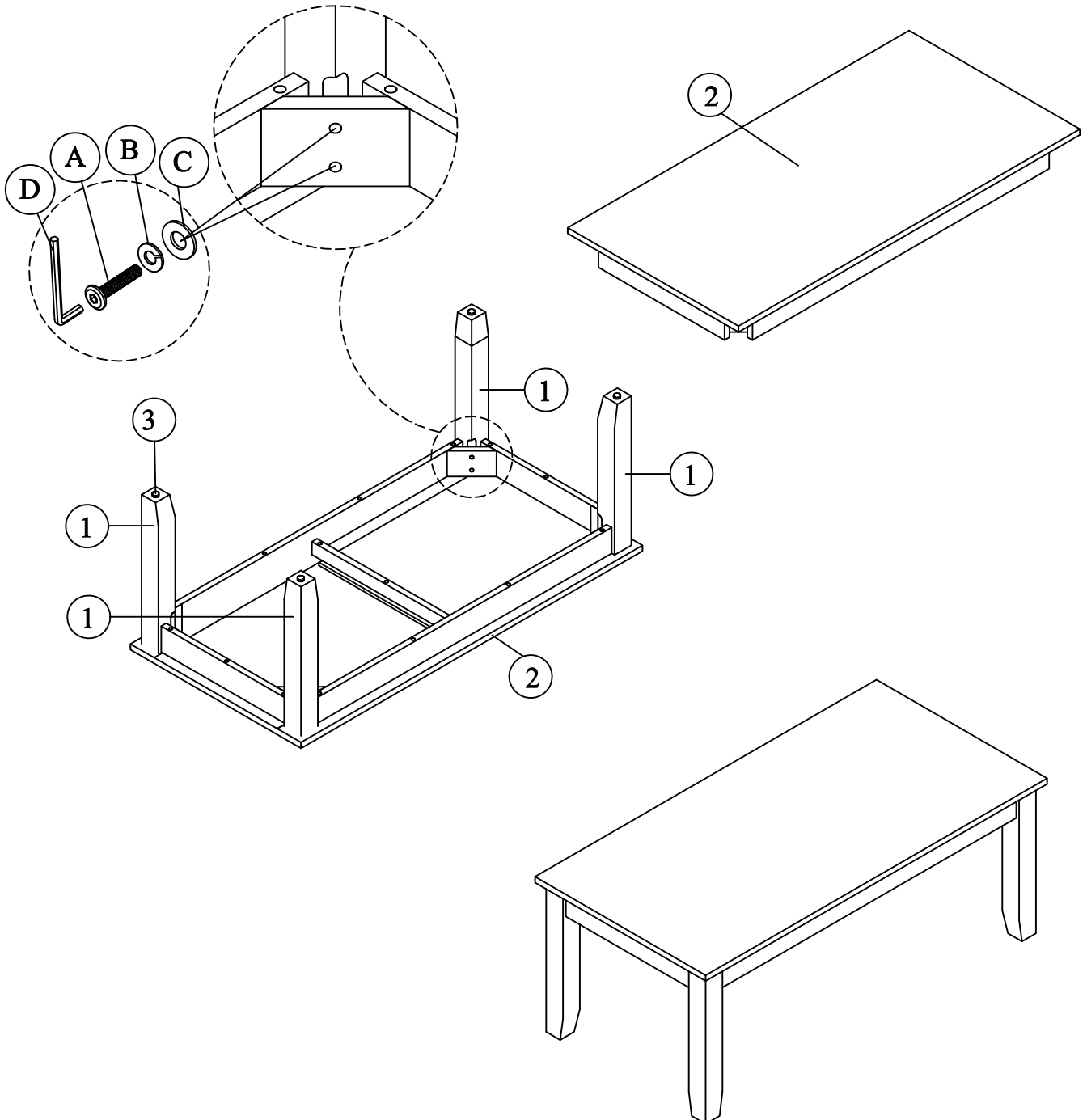


| Parts Key |             |             |        |
|-----------|-------------|-------------|--------|
| No        | Code        | Description | Q'ty   |
| 1         | 2089CHSP02C | Legs        | 4 pc.  |
| 2         | 2089CHSP54C | Top         | 1 pc.  |
| 3         | 2089CHSP01F | Floor glide | 4 pcs. |

| Hardware kit (2089 CHSP01) |  |                  |        |
|----------------------------|--|------------------|--------|
| No                         |  | Description      | Q'ty   |
| A                          |  | Bolt 1/4"x 2"    | 8 pcs. |
| B                          |  | Lock Washer 1/4" | 8 pcs. |
| C                          |  | Flat Washer 1/4" | 8 pcs. |
| D                          |  | Allen Key        | 1 pc.  |



| Parts Key |             |             |        |
|-----------|-------------|-------------|--------|
| No        | Code        | Description | Q'ty   |
| 1         | 2089CHSP02E | Legs        | 8 pc.  |
| 2         | 2089CHSP54E | Top         | 2 pc.  |
| 3         | 2089CHSP01F | Floor glide | 8 pcs. |

| Hardware kit (2089 CHSP01) 2 PACKS |  |                  |        |
|------------------------------------|--|------------------|--------|
| No                                 |  | Description      | Q'ty   |
| A                                  |  | Bolt 1/4"x 2"    | 8 pcs. |
| B                                  |  | Lock Washer 1/4" | 8 pcs. |
| C                                  |  | Flat Washer 1/4" | 8 pcs. |
| D                                  |  | Allen Key        | 1 pc.  |

