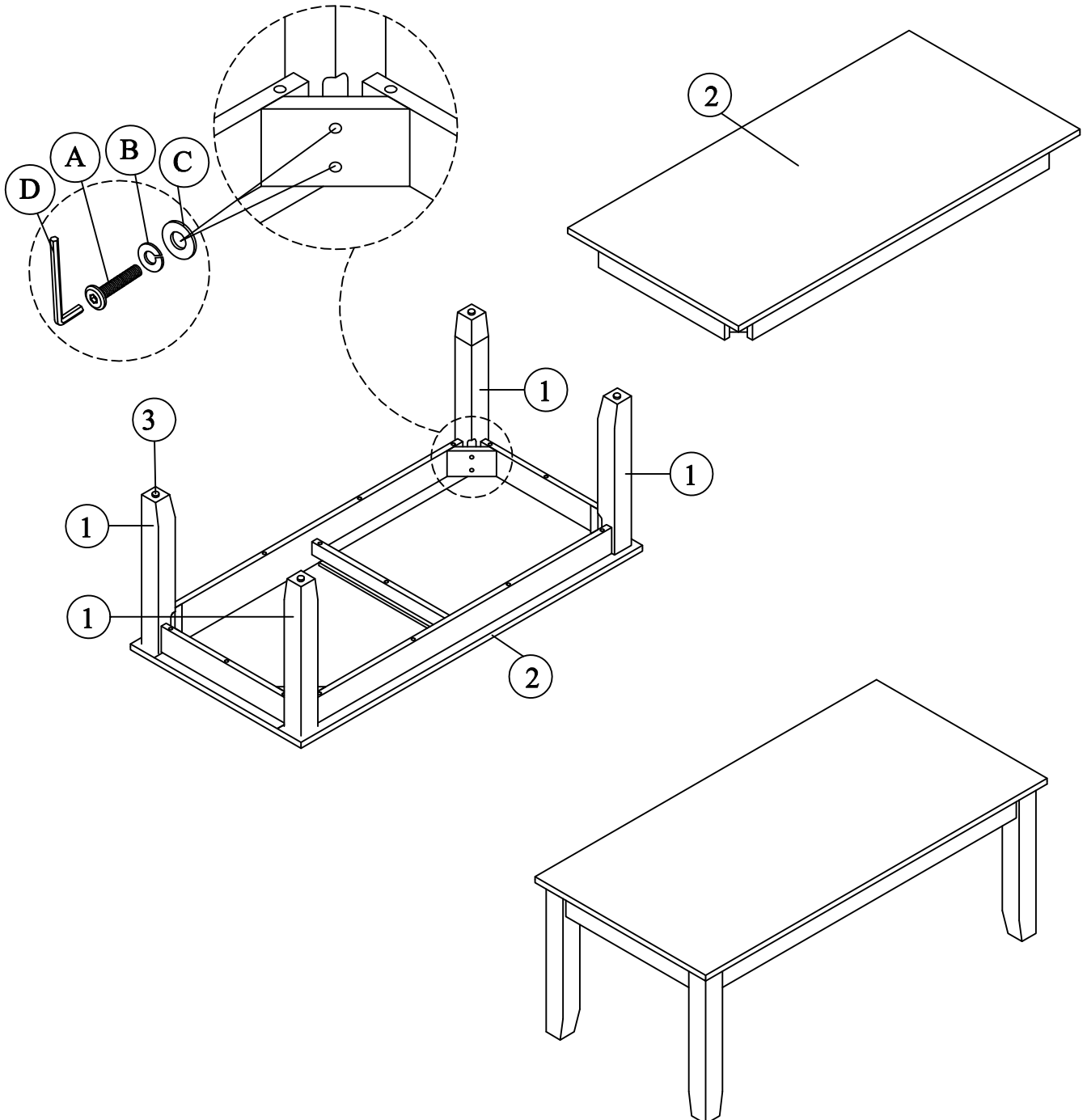



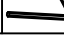


Parts Key			
No	Code	Description	Q'ty
1	2089BLKP02C	Legs	4 pc.
2	2089BLKP54C	Top	1 pc.
3	2089BLKP01F	Floor glide	4 pcs.

Hardware kit (2089 BLKP01)			
No		Description	Q'ty
A		Bolt 1/4"x 2"	8 pcs.
B		Lock Washer 1/4"	8 pcs.
C		Flat Washer 1/4"	8 pcs.
D		Allen Key	1 pc.



Parts Key			
No	Code	Description	Q'ty
1	2089BLKP02E	Legs	8 pc.
2	2089BLKP54E	Top	2 pc.
3	2089BLKP01F	Floor glide	8 pcs.

Hardware kit (2089 BLKP01) 2 PACKS			
No		Description	Q'ty
A		Bolt 1/4"x 2"	8 pcs.
B		Lock Washer 1/4"	8 pcs.
C		Flat Washer 1/4"	8 pcs.
D		Allen Key	1 pc.

