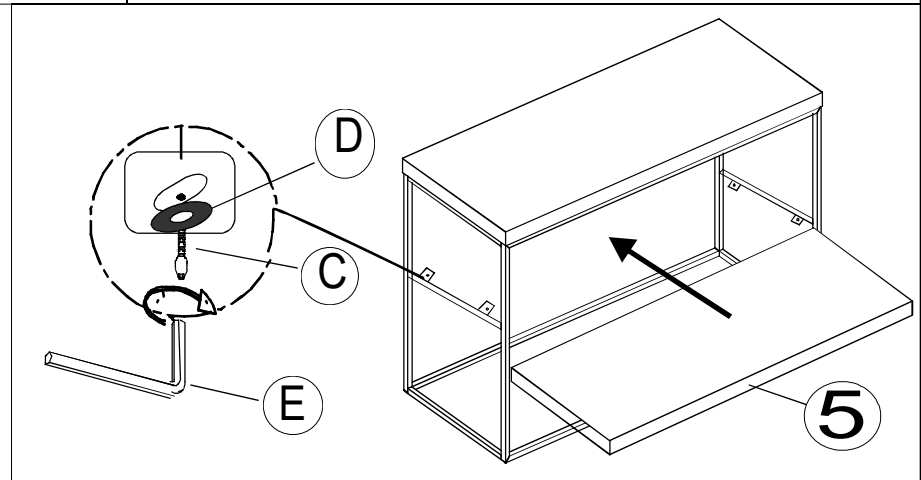
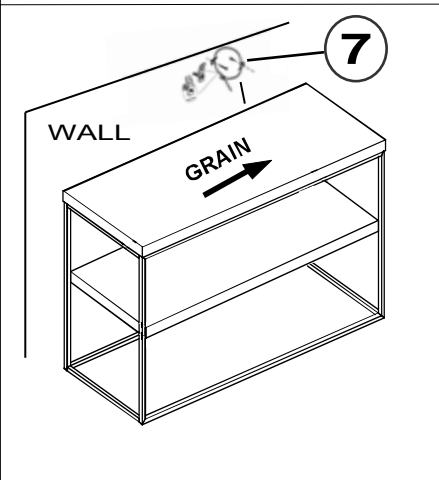
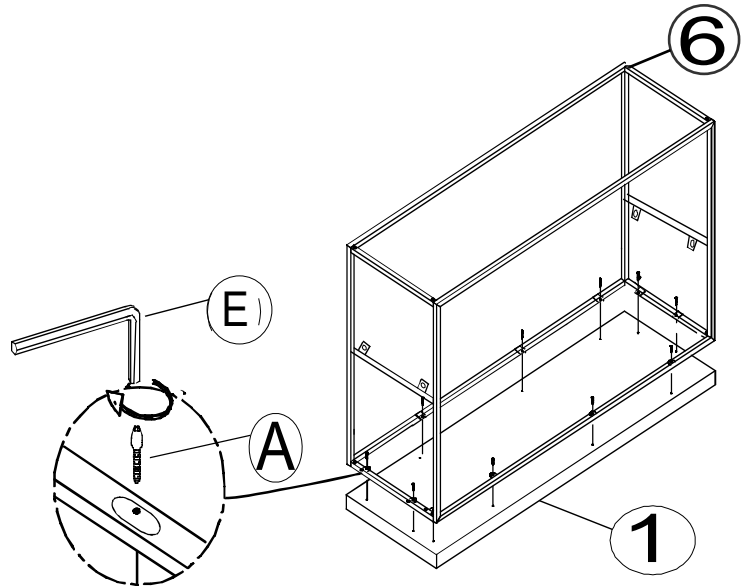
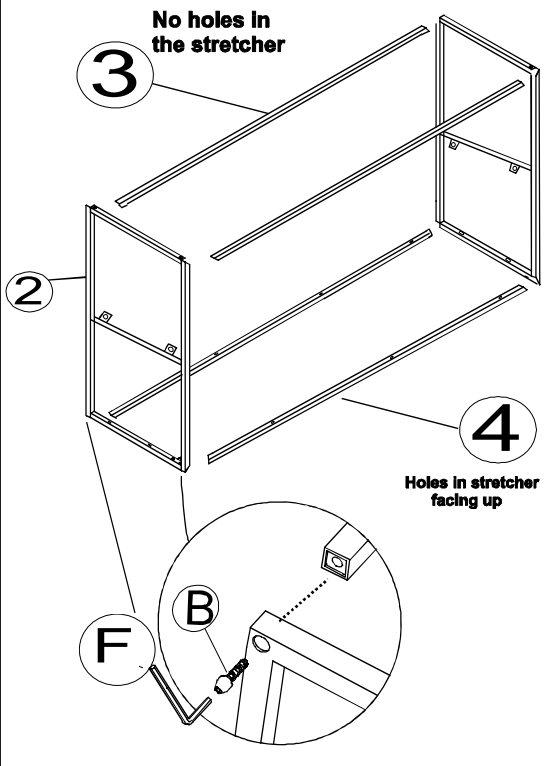


Thank you for purchasing this quality product. Be sure to check all packing material carefully for small parts that may have come loose inside the carton during shipment

Key Parts			
No	Code	Qty	Description
1	2058-4P54	1PCS	TABLE TOP
2	2058-4P53	2PCS	SIDE LEG ASSEMBLY
3	2058-4P13FB	2PCS	BOTTOM STRETCHER
4	2058-4P13T	2PCS	TOP STRETCHER
5	2058-4P08	1PCS	SHELF
6	2058P01F	4PCS	FLOOR GLIDE

Hardware kit (2058-4P01)			
No	Spec.	Description	Qty
A	M8 X 40MM	Bolt	10pcs
B	M6 X 45MM	Bolt	8pcs
C	M8 X 25MM	Bolt	4pcs
D		Flat Washer	4pcs
E	5MM	Allen Wrench	1pc
F	4MM	Allen Wrench	1pc

No	Ant-Tip Kit	Qty
7	2058P1AT	1 Set



**PLEASE NOTE :** To avoid the possibility of the furniture tipping and injury, the anti-tip hardware must be installed.