

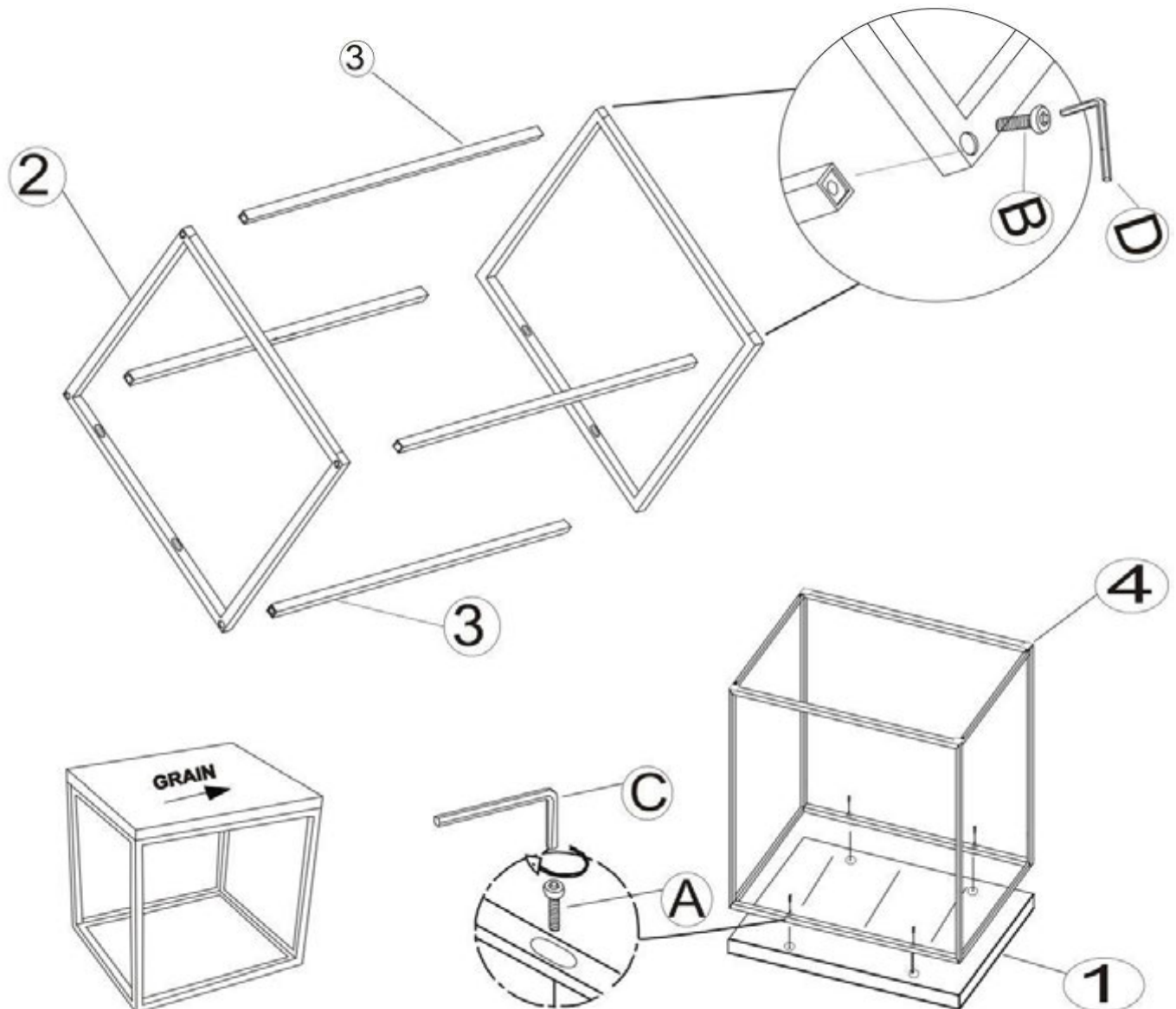
jOF FRAN INC.

ASSEMBLY INSTRUCTIONS & PARTS IDENTIFICATION MODEL # 2058-3 END TABLE

Thank you for purchasing this quality product. Be sure to check all packing material carefully for small parts that may have come loose inside the carton during shipment.

KEY PARTS			
NO.	CODE	QTY	Description
1	2058-3P54	1PCS	TABLE TOP
2	2058-3P53	2PCS	SIDE LEG ASSEMBLY
3	2058-3P13FB	4PCS	STRETCHER
4	2058P01F	4PCS	FLOOR GLIDE

HARDWARE KIT (2058-3P01)			
NO.	SPEC.	Description	QTY
A	M8 X 40MM	BOLT	4PCS
B	M6 X 45MM	BOLT	8PCS
C	5 MM	ALLEN WRENCH	1PCS
D	4 MM	ALLEN WRENCH	1PCS



MADE IN INDIA