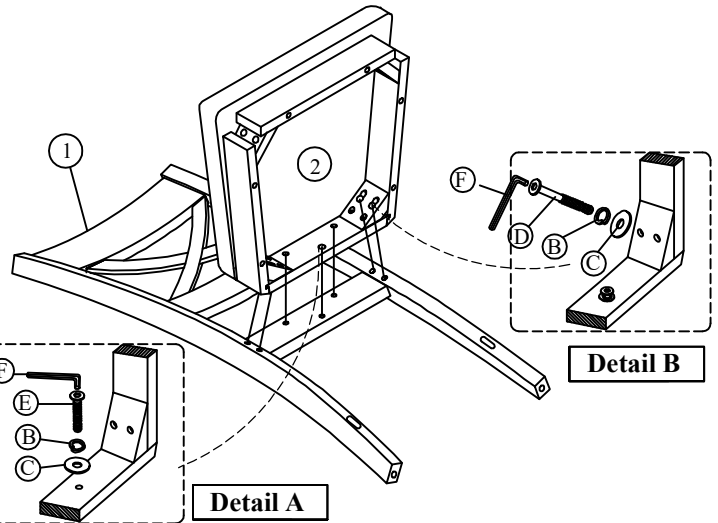


Chair Parts Key			
No	Code	Description	Q'ty
1	2025-340WHKDP40	Chair Back	1 pc.
2	2025-340WHKDP41	Complete Seat	1 pc.
3	2025-340WHKDP42	Right Facing Front Leg	1 pc.
4	2025-340WHKDP43	Left Facing Front Leg	1 pc.
5	2025-340WHKDP44	Right Facing Stretcher	1 pc.
6	2025-340WHKDP45	Left Facing Stretcher	1 pc.
7	2025-340P01F	Floor glide	4pcs.

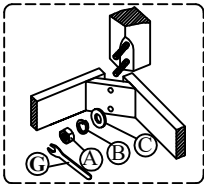
Hardware kit (2025-340WHKDP46)			
No		Description	Q'ty
A		Hexa Nut 5/16"	4 pcs.
B		Lock Washer 5/16"	11 pcs.
C		Flat Washer 5/16"	11 pcs.
D		Long Bolt 1/4" x 3"	4 pcs.
E		Short Bolt 1/4" x 1 1/2"	3 pcs.
F		Allen Key	1 pc.
G		Key Wrench	1 pc.
H		Wood Screw 1/6" x 38	4 pcs.

STEP 1

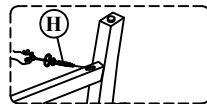
- Carefully lay chair back flat on a smooth flat surface to
- Attach Complete Seat to Chair back by inserting a Flat washer (C) Lock Washer (B) with Short Bolt (E) into each of the hole on the back rail of the seat, and Long Bolt (D) into each of holes in the Complete Seat corner. (See Detail A & B)
- Tighten screws with provided Allen Key (F) by turning clockwise until secure



Detail C



Detail D



STEP 2

- Carefully turn Chair upside down and attach right and left Leg to the front corners of the Complete Seat
- Place Flat Washer (C), Lock Washer (B) and Nut (A) onfor each bolt, using provider Key Wrench (G)
- Donot fully tighten the Nuts as this stage until all the parts are in position (See Detail C)
- Insert 2 Side Stretchers between the Front leg faster wood screw driver. (not provided). (See Detail C).
- Be sure to tight all screws and nuts prior to using Chair.

