

Thank you for purchasing this quality product. Be sure to check all packing material carefully for small parts that may have come loose inside the carton during shipment.

Parts key				Hardware kit # 2003-390KDP46			
No	Code	Qty	Description	No	Description		Qty
1	2003-390KDP40	1 pc	Chair Back	A	Hex nut M8	Ø8	4 pcs
2	2003-390KDP41	1 pc	Complete Seat	B	Lock washer	Ø8	11 pcs
3	2003-390KDP42	2 pcs	Front Leg Floor	C	Flat washer	Ø8 x 18	11 pcs
4	2003-390KDP01F	4 pcs	Floor Glide	D	Long bolt	Ø6 x 80	4 pcs
				E	Short bolt	Ø6 x 40	3 pcs
				F	Allen key	K4	1 pc
				G	Key wrench	13	1 pc

**FABRIC CARE INSTRUCTIONS
REGULAR CARE**

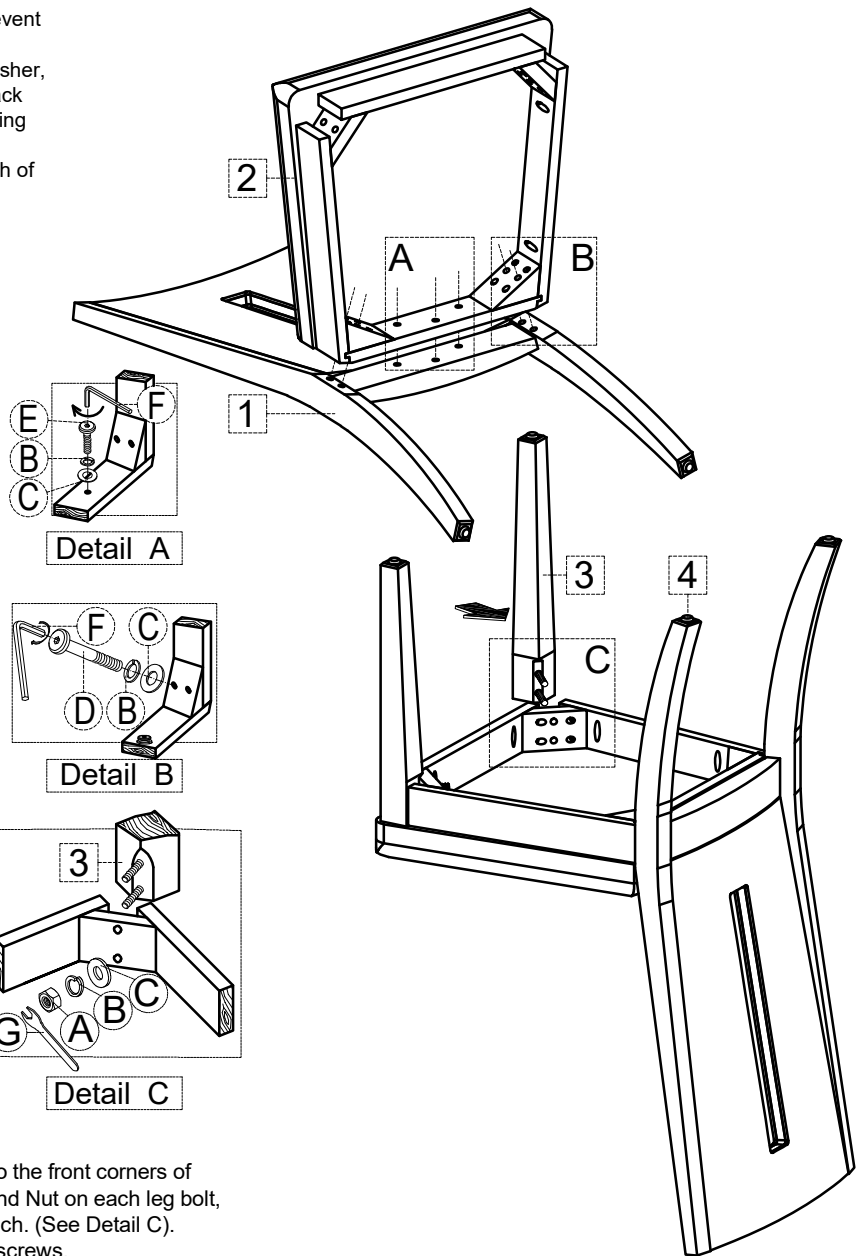
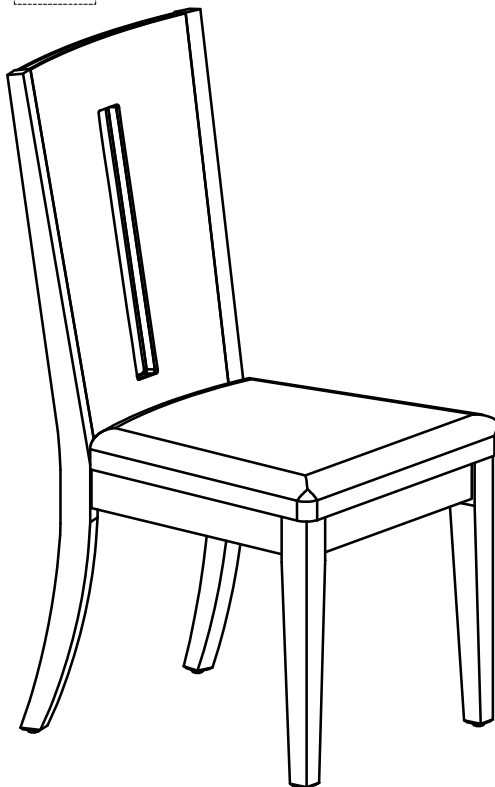
Blot gently using a clean soft damp cloth
and mild detergent **DO NOT SATURATE**

FABRIC CONTENT: 100% Polyester - Cleaning code W

Step 1

- Carefully lay Chair Back flat on a smooth flat surface to prevent scratches.
- Attach Complete Seat to Chair Back by inserting a Flat Washer, Lock Washer and Short bolt into each of the hole on the back of the seat. Tighten screws with provided Allen Key by turning clockwise until secure. (See Detail A).
- Insert a Flat Washer, Lock Washer and Long screw into each of 2 holes in the Complete Seat corners. Tighten screws with provided Key Wrench. (See Detail B).

Finish



Step 2

- Carefully turn chair upside down and attach each Leg to the front corners of the Complete Seat. Place Flat Washer, Lock Washer and Nut on each leg bolt, tightening the Nut on each Leg using provided Key Wrench. (See Detail C).
- Be sure to level the chair prior to tightening all the nuts/screws.