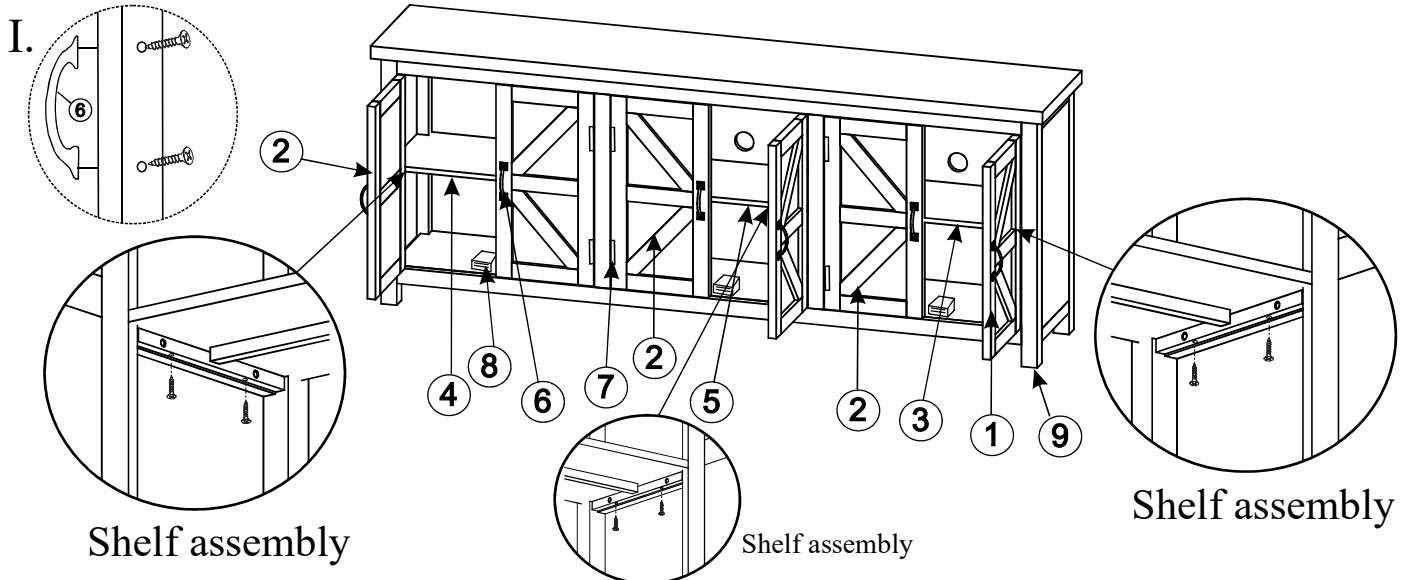


Thank you for purchasing this quality product. Be Sure to check all packing material carefully parts that may have come loose inside the carton during shipment

Parts key							
No	Code	Qty	Description	No	Code	Qty	Description
1	1989-84P07R	3pc	Right Side Facing Door	6	1989P04	6sets	Door Handle w/Screw
2	1989-84P07L	3pc	Left Side Facing Door	7	1989P07H	12pc	Door Hinge
3	1989-84P08R	1pc	Shelf - Right Side Facing	8	1989P01D	6pc	Door Catch
4	1989-84P08L	1pcs	Shelf - Left Side Facing	9	1989P01F	4pc	Floor Glide
5	1989-84P08C	1pcs	Shelf - Center	10	1989P01AT	2sets	Anti Tip Kit

Anti Tip Kit					
No	Qty	Description	No	Qty	Description
A	4pc	Plastic Wall Anchor	D	4pc	Short Screw
B	4pc	Plastic bracket	E	2pc	Plastic strap
C	4pc	Long Screw			



PLEASE NOTE : To help prevent the possibility of tip-over, install the tipover restraint provided.

