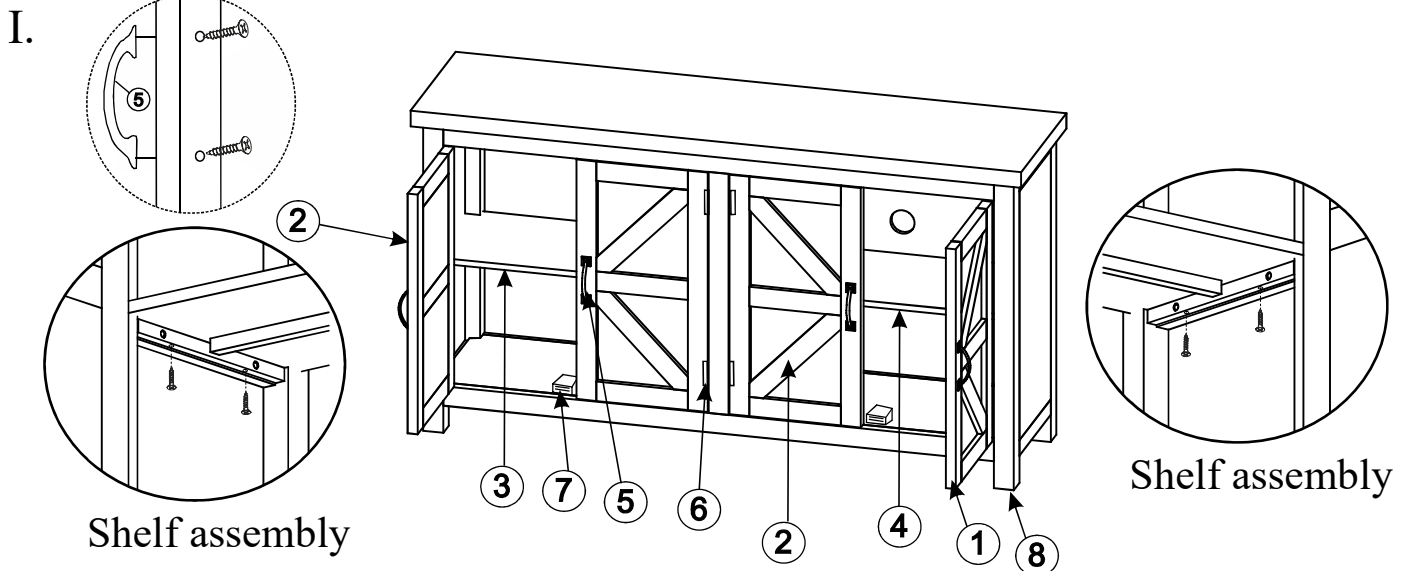


Thank you for purchasing this quality product. Be Sure to check all packing material carefully parts that may have come loose inside the carton during shipment

Parts key							
No	Code	Qty	Description	No	Code	Qty	Description
1	1989-60P07R	2pc	Right Side Facing Door	6	1989P07H	8pc	Door Hinge
2	1989-60P07L	2pc	Left Side Facing Door	7	1989P01D	4pc	Door Catch
3	1989-60P08L	1pc	Shelf - Left Side Facing	8	1989P01F	4pc	Floor Glide
4	1989-60P08R	1pc	Shelf - Right Side Facing	9	1989P01AT	2sets	Anti Tip Kit
5	1989P04	4sets	Door Handle w/Screw				

Anti Tip Kit					
No	Qty	Description	No	Qty	Description
A	2pc	Plastic Wall Anchor	D	2pc	Short Screw
B	2pc	Plastic bracket	E	1pc	Plastic strap
C	2pc	Long Screw			



PLEASE NOTE : To help prevent the possibility of tip-over, install the tipover restraint provided.

