

Thank you for purchasing this quality product. Be sure to check all packing material carefully for small parts that may have come loose inside the carton during shipment.

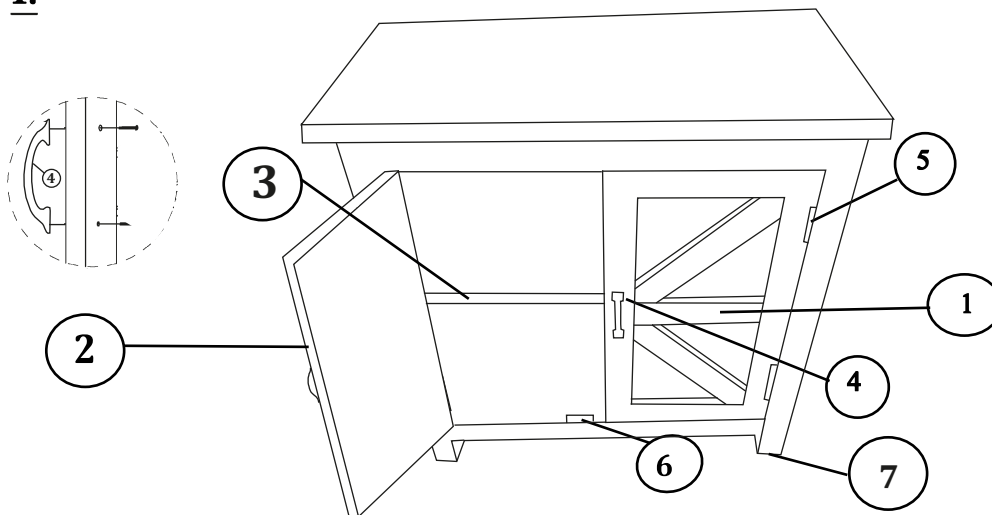
Parts key

No	Code	Qty	Description	No	Code	Qty	Description
1	1989-32P07R	1 pc	Right Side Facing Door	5	1989P07H	4 pcs	Door Hinge
2	1989-32P07L	1 pc	Left Side Facing Door	6	1989P01D	2 sets	Door Catch
3	1989-32P08	1 pc	Shelf	7	1989P01F	4 pcs	Floor Glide
4	1989P04	2 sets	Door Handle w/Screw.	8	1989P01AT	1 Set	Anti Tip Kit

Anti-tip Hardware

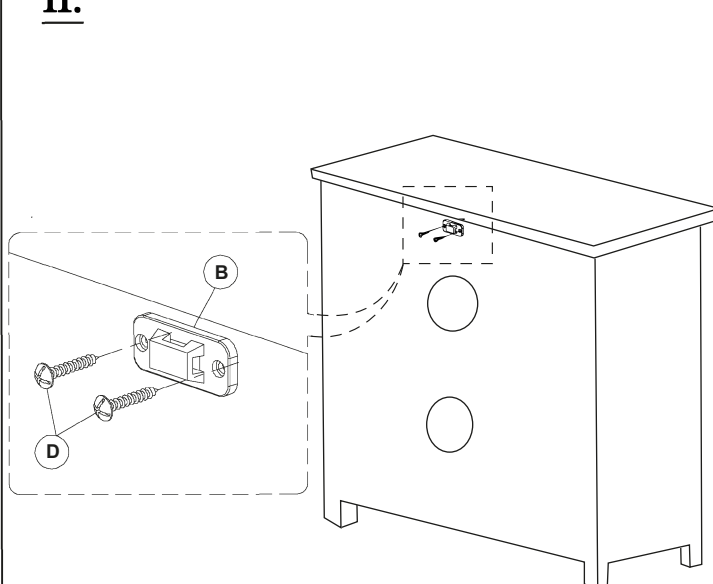
No	Qty	Description	No	Qty	Description
A	2 Pcs	Plastic Wall Anchor	D	2 Pcs	Short Screw
B	2 Pcs	Plastic bracket	E	1 Pc	Plastic strap
C	2 Pcs	Long Screw			

I.



PLEASE NOTE : To help prevent the possibility of tip-over, install the tipover restraint provided.

II.



III.

