



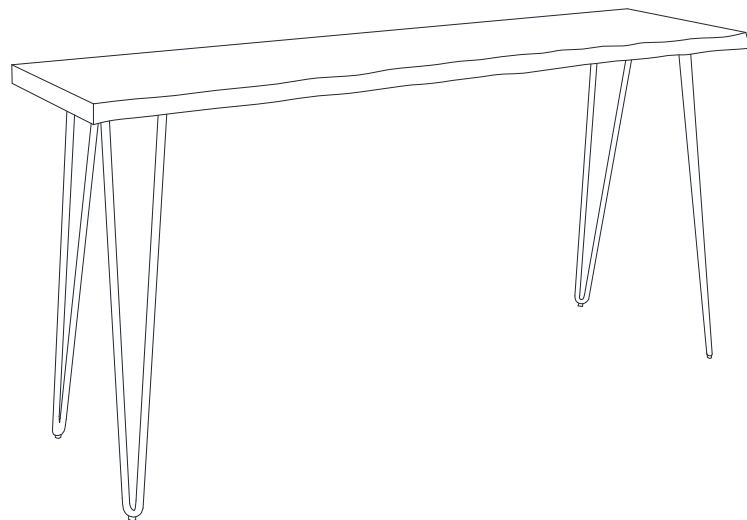
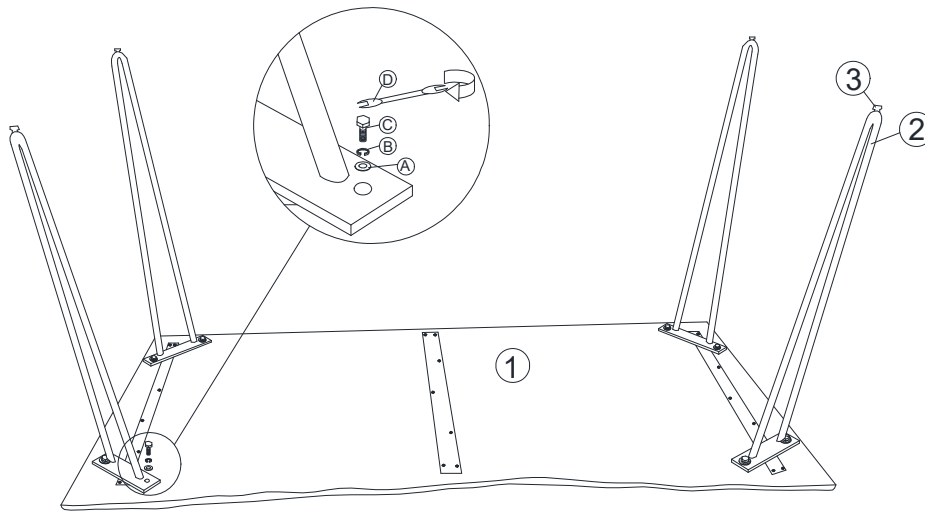


Thank you for purchasing this quality product. Be sure to check all packing material carefully for small parts that may have come loose inside the carton during shipment.





| Key Parts |             |       |               |
|-----------|-------------|-------|---------------|
| No        | Code        | Qty   | Description   |
| 1         | 1981-72P24  | 1 pc  | Table top     |
| 2         | 1981-72P02  | 4 pcs | Leg           |
| 3         | 1981-72P01L | 4 pcs | Floor Leveler |

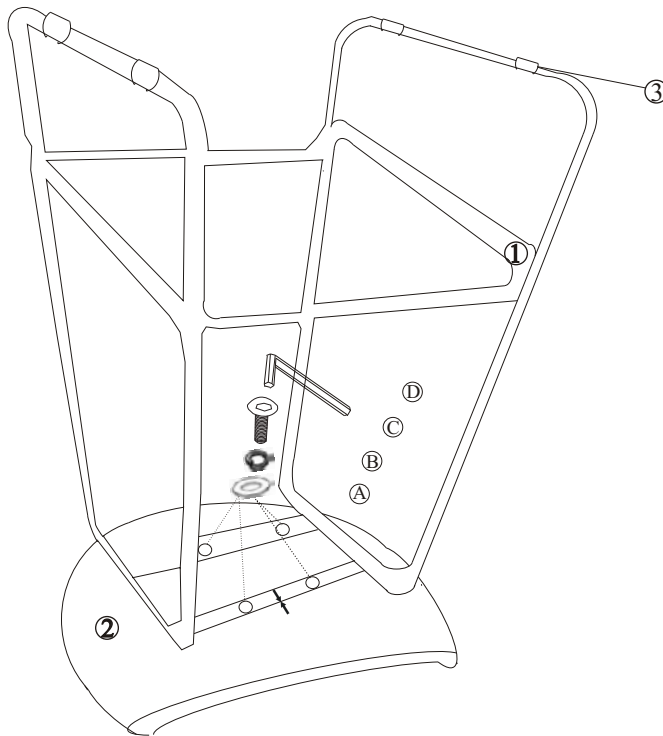
| Hardware kit(1981P01) |  |       |
|-----------------------|--|-------|
| No                    | Description  | Qty   |
| A                     |  Flat washer  | 8 pcs |
| B                     |  Lock washer  | 8 pcs |
| C                     |  Bolt 8x30 mm | 8 pcs |
| D                     |  Key wrench   | 1 pc  |



Thank you for purchasing this quality product. Be sure to check all packing material carefully for small parts that may have come loose inside the carton during shipment.

| Key Parts |                  |     |              |
|-----------|------------------|-----|--------------|
| No        | Code             | Qty | Description  |
| 1         | 1981-BS160KDP42B | 1pc | Leg assembly |
| 2         | 1981-BS160KDP41  | 1pc | Seat         |
| 3         | 1981-BS160KDP01F | 4pc | Floor glide  |

| Hardware kit(1981-BS160KDP46) |  |       |
|-------------------------------|--|-------|
| No                            | Description  | Qty   |
| A                             |  Flat washer            | 4 pcs |
| B                             |  Lock washer            | 4 pcs |
| C                             |  Allen key bolt 8x30 mm | 4 pcs |
| D                             |  Allen key              | 1 pc  |



Place the leg assembly on the seat, aligning the arrows. Insert a bolt, lock washer and flat washer into each of the four holes and hand tighten with the Allen wrench

