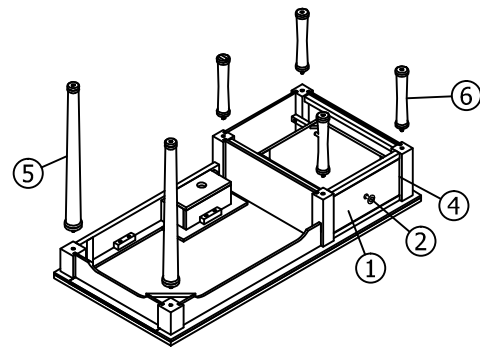


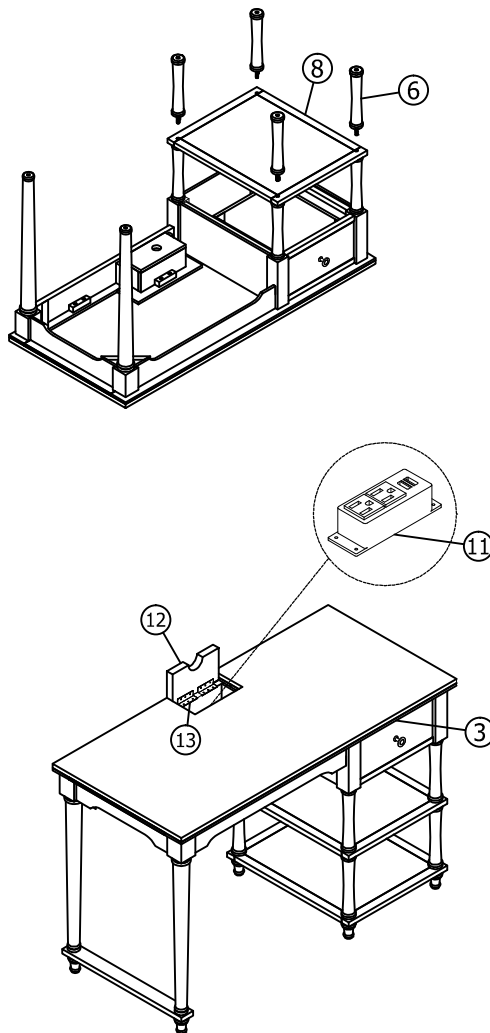
Thank you for purchasing this quality product. Be sure to check all packing material carefully for small parts that may have come loose inside the carton during shipment.

| Key Parts | | | |
|-----------|-------------|-------|----------------|
| No | Code | Qty | Description |
| 1 | 1978-46P05 | 1 pc | Drawer |
| 2 | 1978P04 | 1 pc | Knob w/screw |
| 3 | 1978P05A | 1 pc | Drawer stop |
| 4 | 1978-46P06M | 2 pcs | Drawer glide |
| 5 | 1978-46P02L | 2 pcs | Large leg |
| 6 | 1978-46P02M | 8 pcs | Medium leg |
| 7 | 1978-46P02S | 6 pcs | Small leg |
| 8 | 1978-46P08 | 2 pcs | Shelf |
| 9 | 1978-46P11 | 1 pc | Stretcher |
| 10 | 1978P01F | 6 pcs | Floor glide |
| 11 | 1978P01E | 1 pc | Power outlet |
| 12 | 1978-46P22 | 1pc | Lift top |
| 13 | 1978-46P22H | 2pcs | Lift top hinge |

STEP 1



STEP 2



STEP 3

