



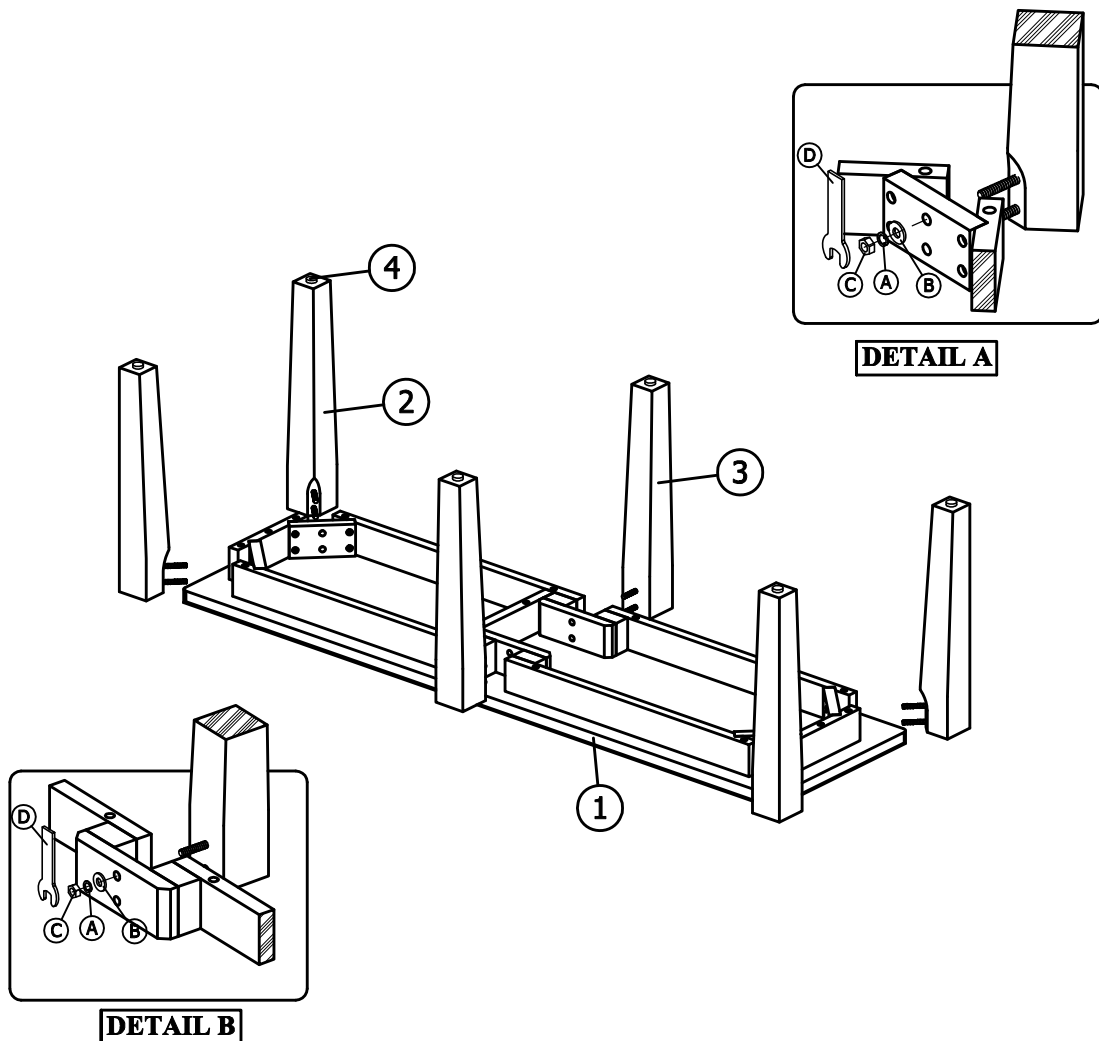


Thank you for purchasing this quality product. Be sure to check all packing material carefully for small parts that may have come loose inside the carton during shipment.

Hardware kit (1936-52KDP46)			
No		Description	Q'Ty
A		Lock Washer Ø8	12 pcs
B		Flat Washer Ø8	12 pcs
C		Nut ØM8	12 pcs
D		Key wrench	1 pc

Key Parts			
No	Code	Description	Q'Ty
1	1936-52KDP41	Bench Seat	1 pc
2	1936-52KDP42	Bench Corner Leg	4 pcs
3	1936-52KDP42M	Bench Middle Leg	2 pcs
4	1936-52KDP01F	Floor Glide	6 pcs



#### STEP 1

- Carefully lay Bench Seat upside down on a smooth flat surface to prevent scratches.
- Attach each Leg to each corner of the Table Top as shown in illustration. Insert a Flat Washer, Lock Washer and Nut on to the insert nut of each Leg
- Once all Legs are in place, fully tighten nuts by turning clockwise using provided Key Wrench until secure. See (Detail A) and (Detail B)