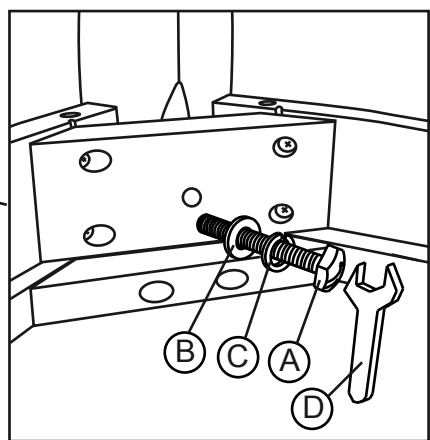
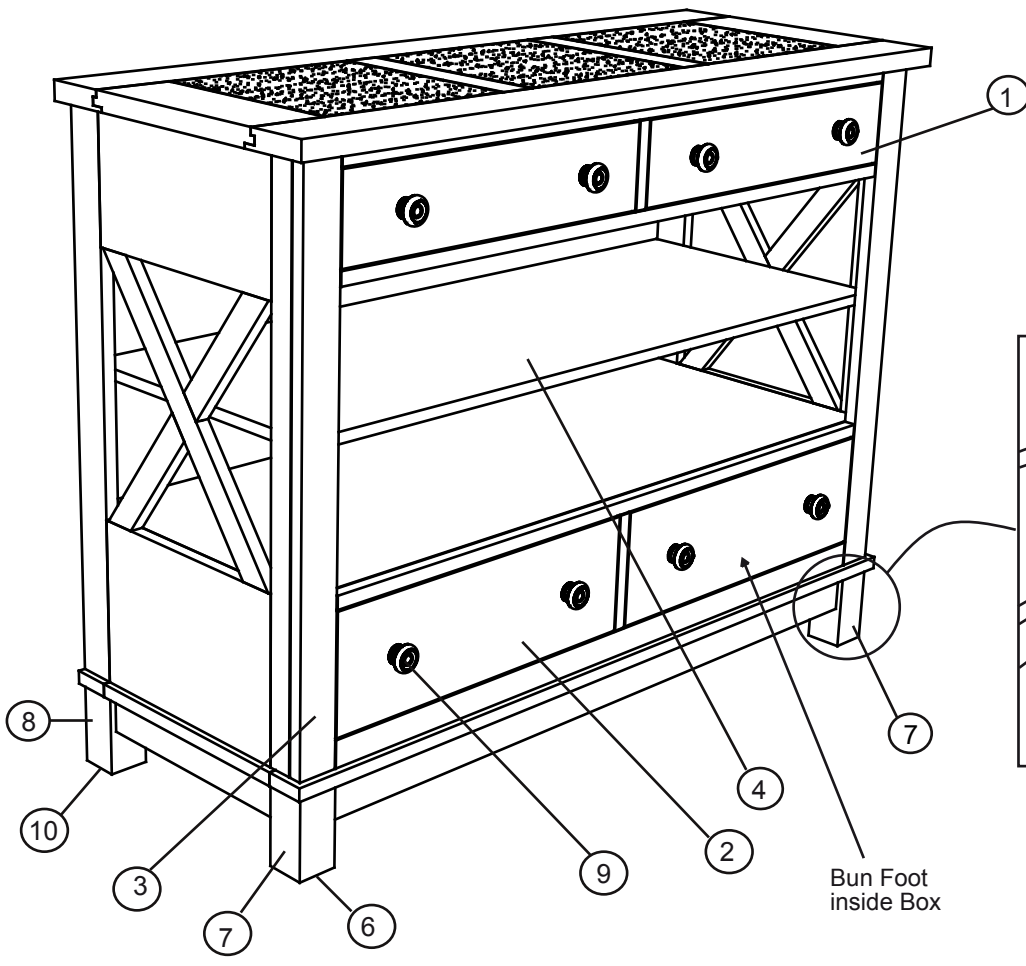
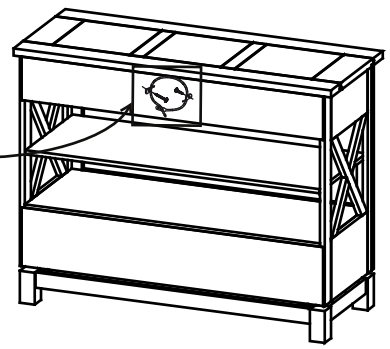
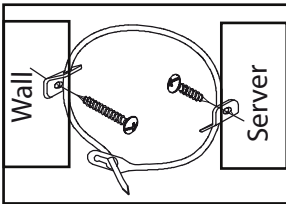
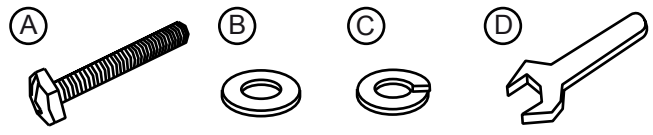


Hardware Kit (1936-49P01)		
No.	Qty	Description
A	4 pcs	Hex Bolt Ø5/16"x2"
B	4 pcs	Flat Washer Ø5/16"
C	4 pcs	Lock Washer Ø5/16"
D	1 pc	Wrench Ø12.8mm

Parts Key			
No.	Code	Qty	Description
1	1936-49P05T	2 pcs	Top Drawer (Small)
2	1936-49P05B	2 pcs	Bottom Drawer (Big)
3	1936-49P06E	4 pcs	Metal Drawer Glide
4	1936-49P08	1 pc	Shelf
5	1936-49P08P	4 pcs	Shelf Pin
6	1936-49P01L	2 pcs	Floor Leveler
7	1936-49P02F	2 pcs	Front Leg
8	1936-49P02R	2 pcs	Rear Leg
9	1936P04	8 pcs	Drawer Pull w/ Screw
10	1936-49P01F	2 pcs	Floor Glide
11	1936-49P01AT	1 set	Anti -Tip Kit



Bun Foot  
inside Box